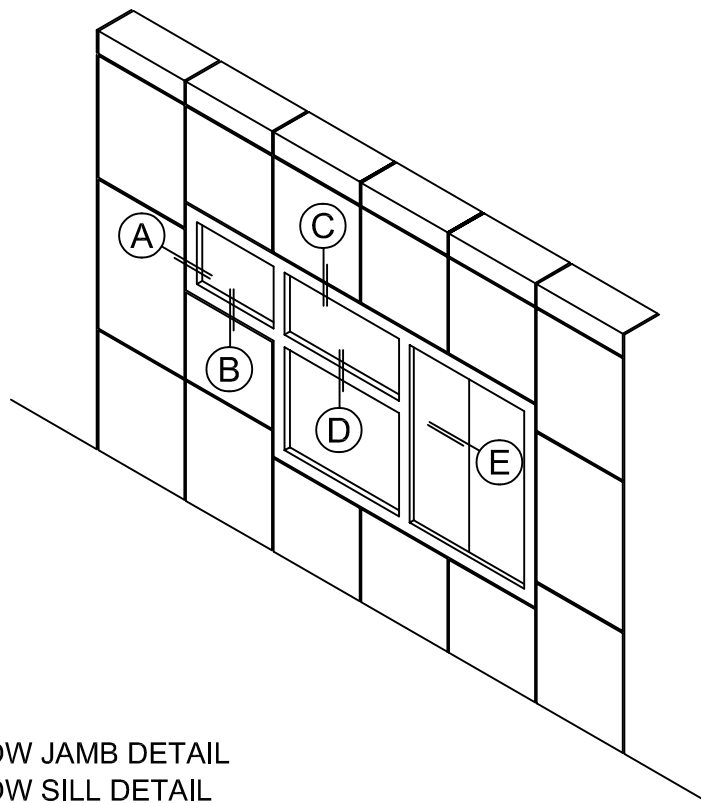
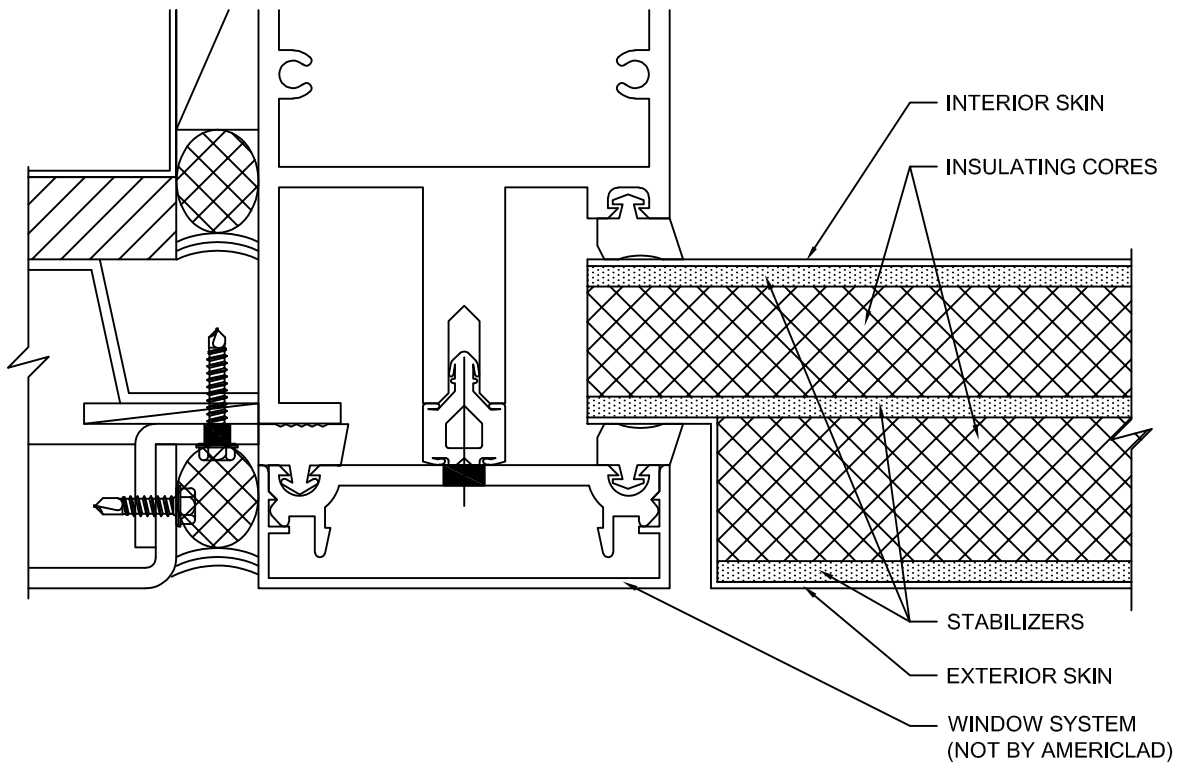


ALUMINUM INSULATED FORMED FLUSH INFILL PANEL SYSTEM

- Ⓐ WINDOW JAMB DETAIL
- Ⓑ WINDOW SILL DETAIL
- Ⓒ WINDOW HEAD DETAIL
- Ⓓ WINDOW INTERMEDIATE DETAIL
- Ⓔ BUTT JOINT DETAIL

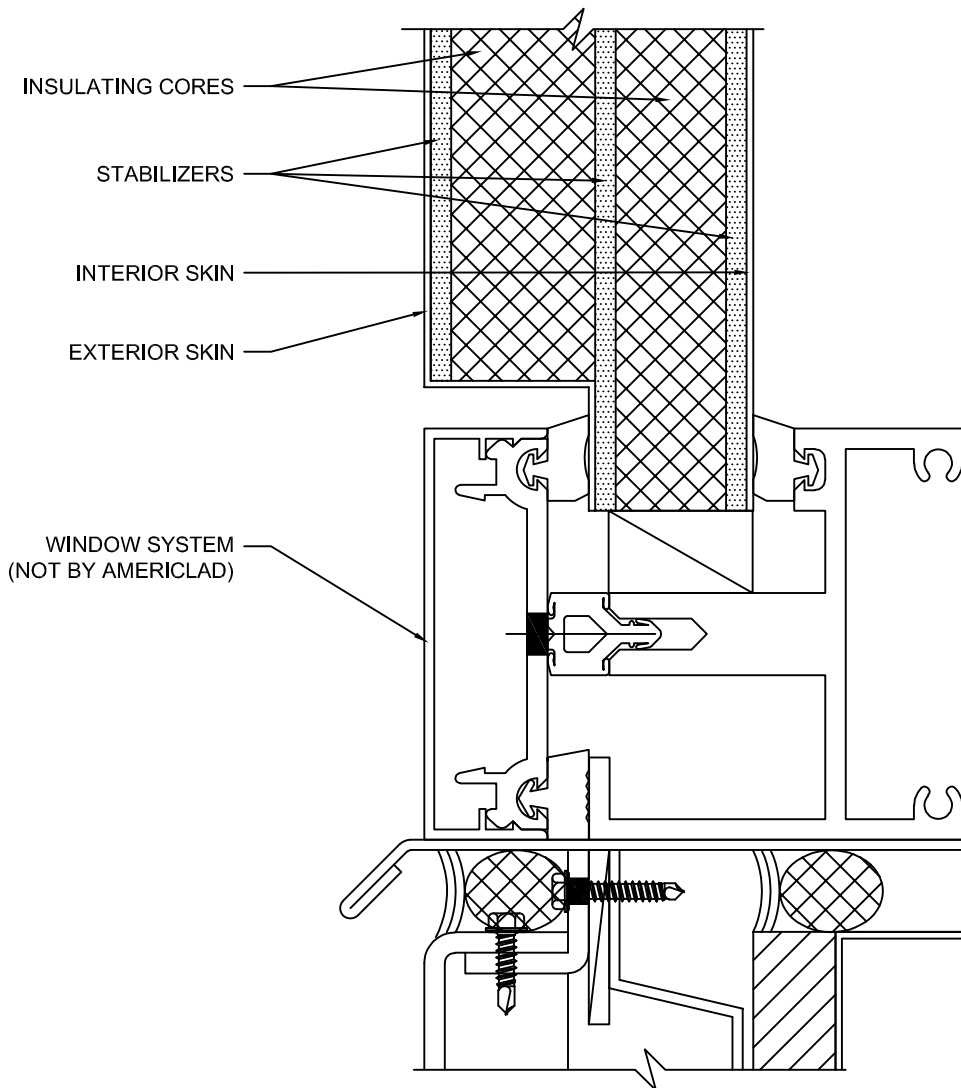
WINDOW JAMB DETAIL

DETAIL A



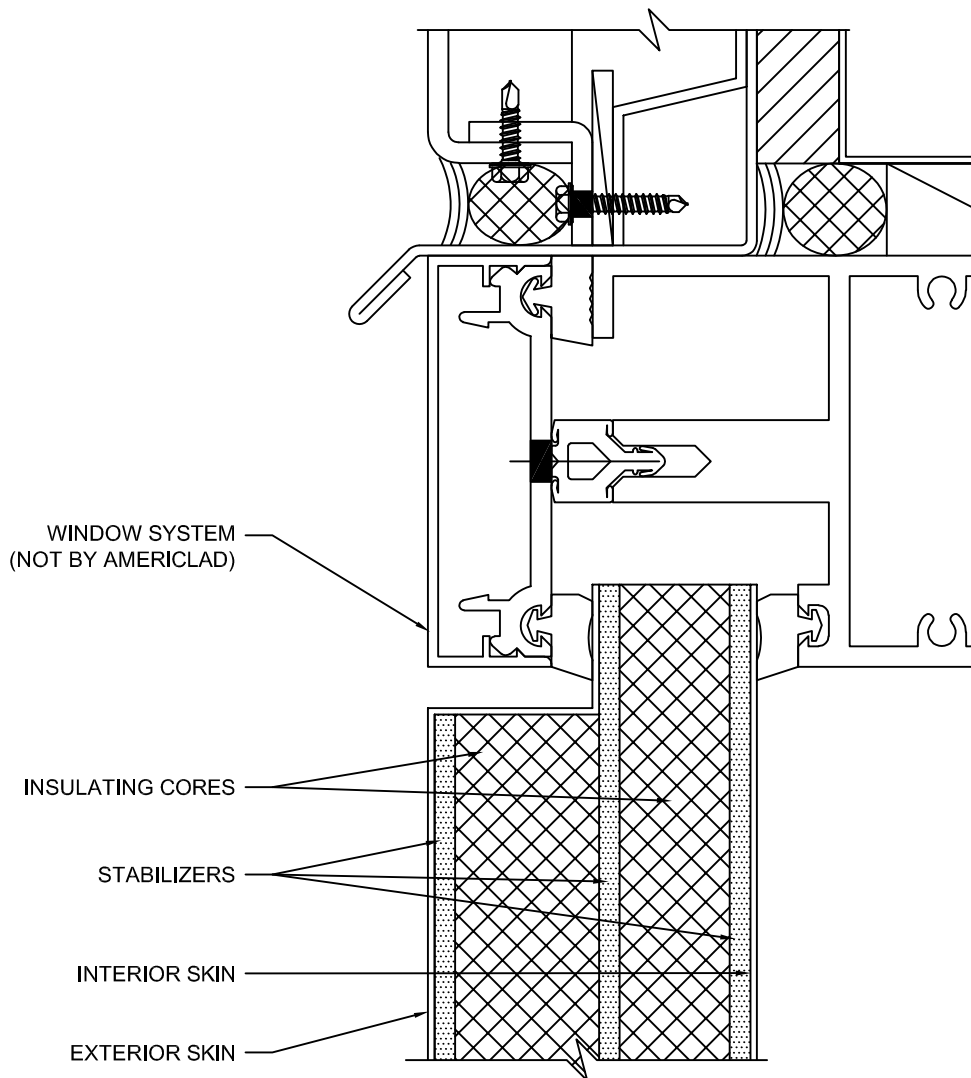
WINDOW SILL DETAIL

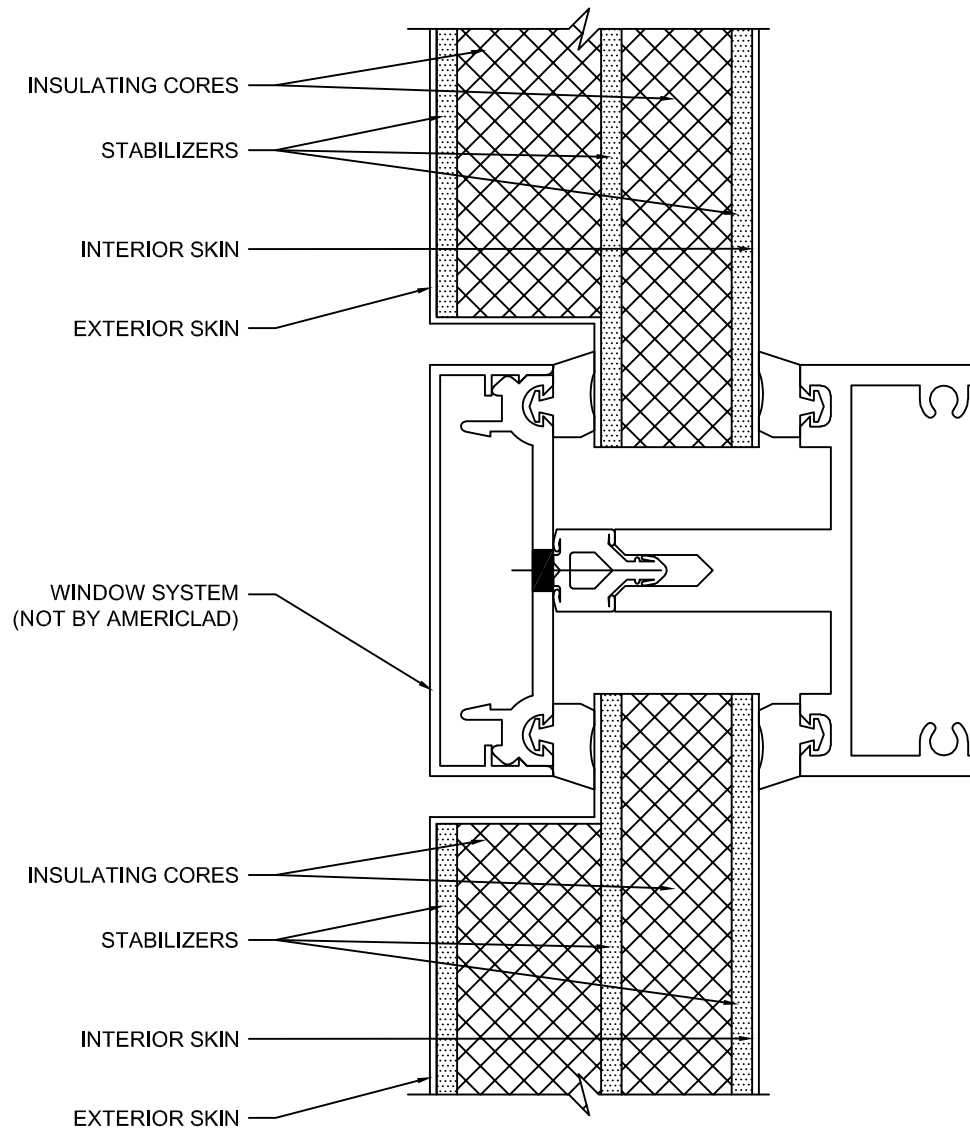
DETAIL B



WINDOW HEAD DETAIL

DETAIL C



WINDOW INTERMEDIATE DETAIL**DETAIL D**

COPYRIGHT AMERICLAD, LLC

21925 Industrial Boulevard • Rogers, Minnesota • Toll-Free: 1-866-260-4047 • americlad.com

Architectural Metal Products

BUTT JOINT DETAIL

DETAIL E

