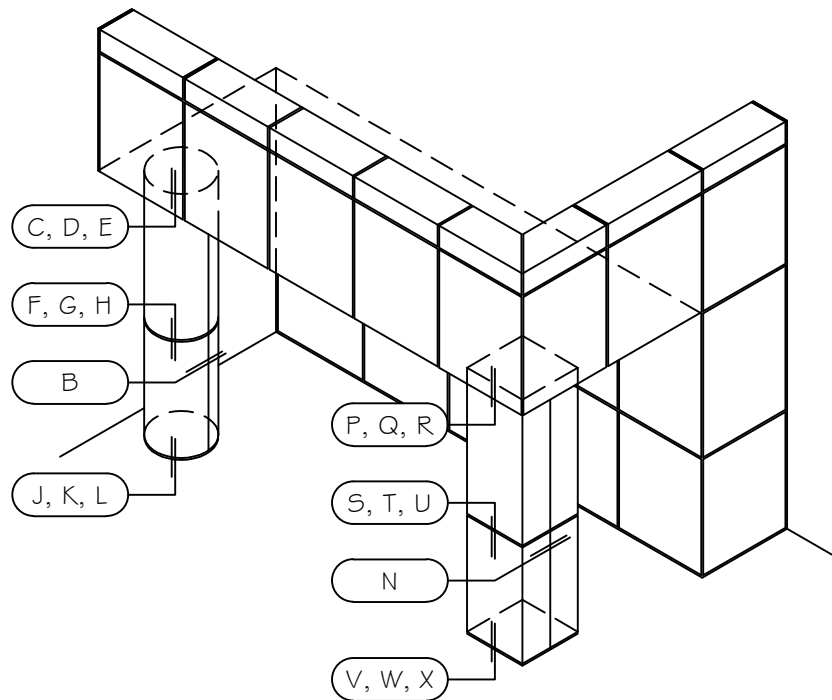


ALUMINUM PLATE COLUMN COVER (HAIRLINE JOINT)



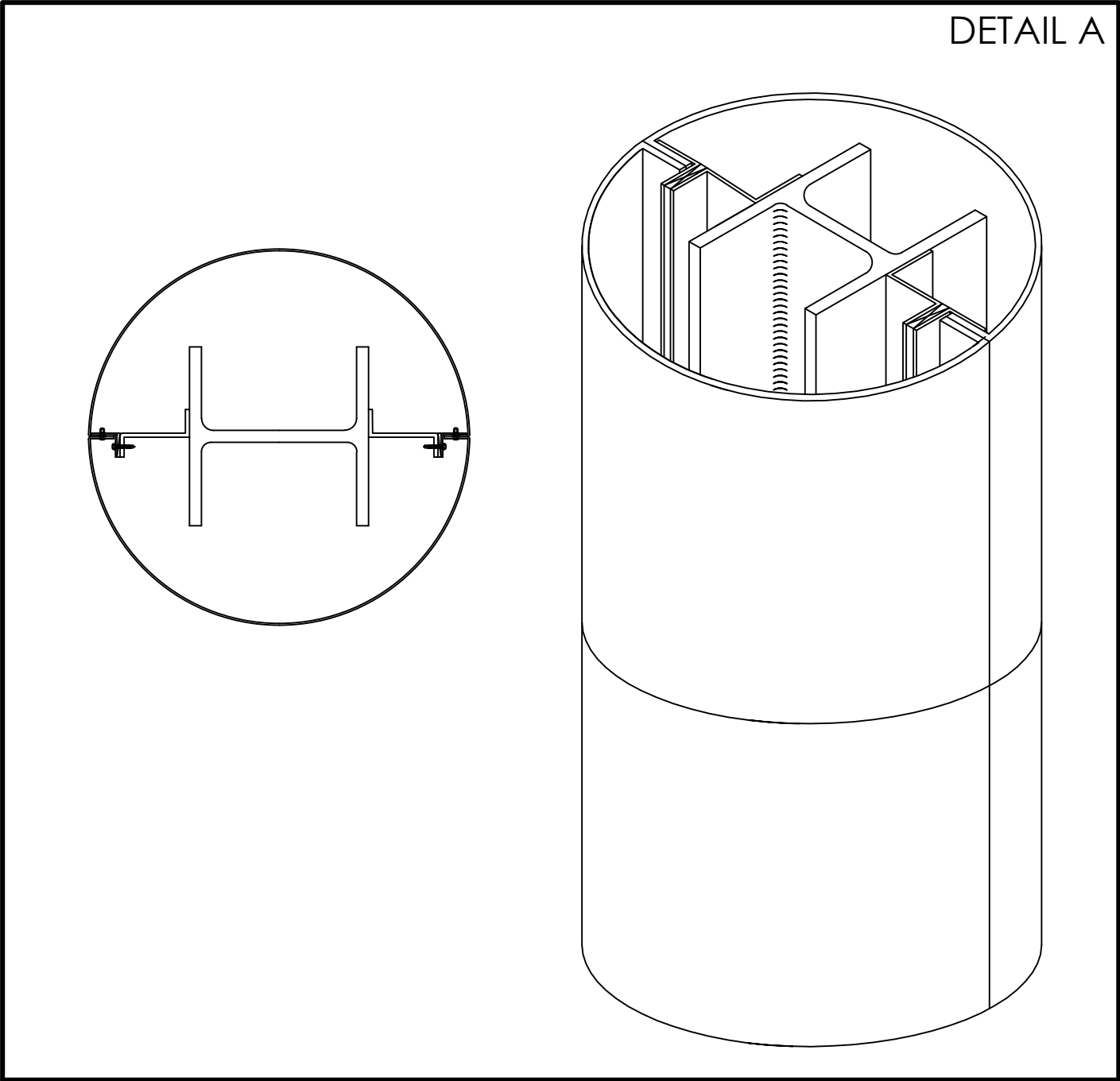
- | | |
|--|---|
| (A) RADIUSED - ISOMETRIC | (N) RECTANGULAR - VERTICAL DETAIL (1) |
| (B) RADIUSED - VERTICAL DETAIL (1) | (P) RECTANGULAR - HEAD DETAIL (1) |
| (C) RADIUSED - HEAD DETAIL (1) | (Q) RECTANGULAR - HEAD DETAIL (2) |
| (D) RADIUSED - HEAD DETAIL (2) | (R) RECTANGULAR - HEAD DETAIL (3) |
| (E) RADIUSED - HEAD DETAIL (3) | (S) RECTANGULAR - INTERMEDIATE DETAIL (1) |
| (F) RADIUSED - INTERMEDIATE DETAIL (1) | (T) RECTANGULAR - INTERMEDIATE DETAIL (2) |
| (G) RADIUSED - INTERMEDIATE DETAIL (2) | (U) RECTANGULAR - INTERMEDIATE DETAIL (3) |
| (H) RADIUSED - INTERMEDIATE DETAIL (3) | (V) RECTANGULAR - BASE DETAIL (1) |
| (J) RADIUSED - BASE DETAIL (1) | (W) RECTANGULAR - BASE DETAIL (2) |
| (K) RADIUSED - BASE DETAIL (2) | (X) RECTANGULAR - BASE DETAIL (3) |
| (L) RADIUSED - BASE DETAIL (3) | (Y) INSTALLATION GUIDE |
| (M) RECTANGULAR - ISOMETRIC | |



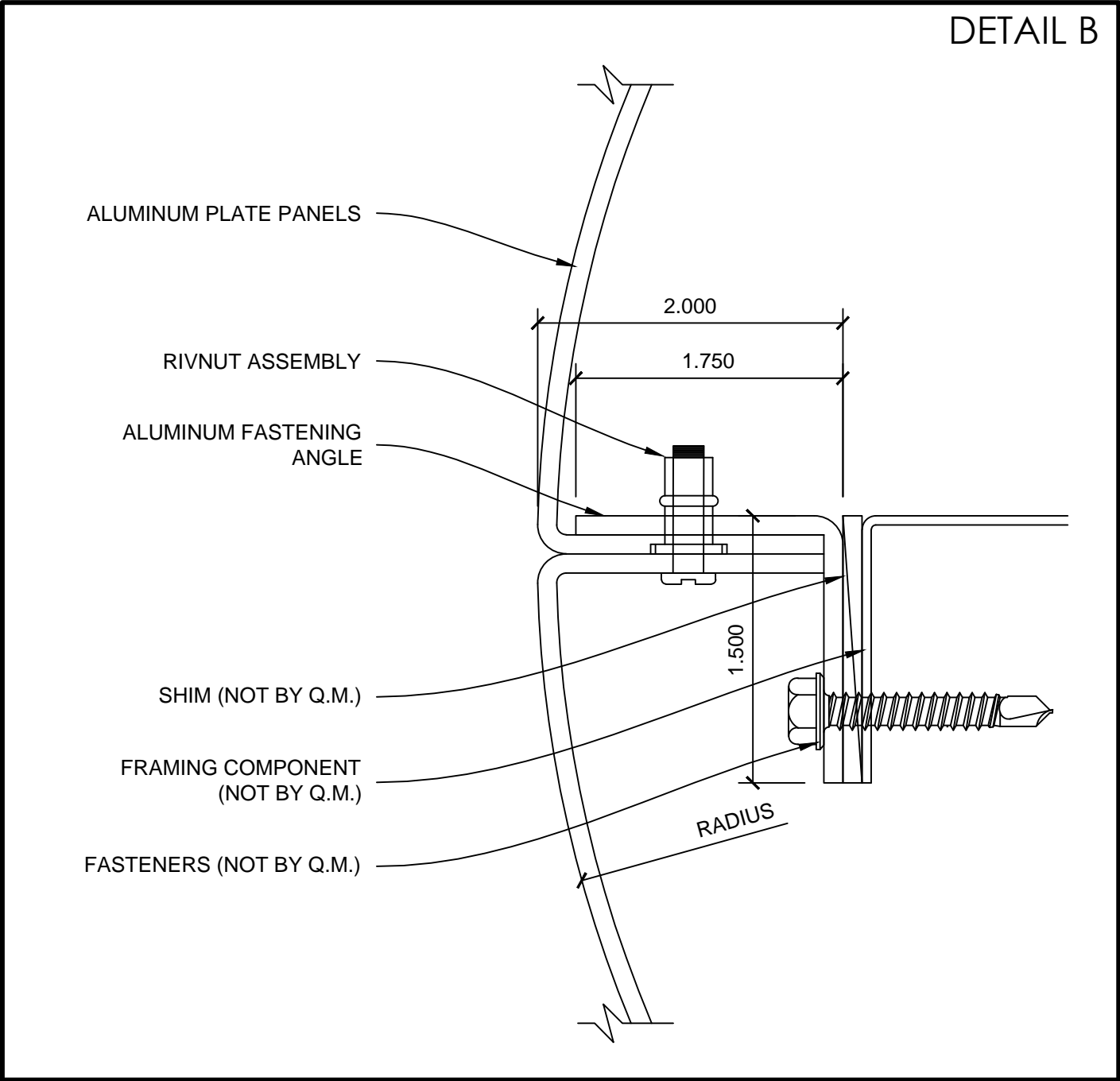
AC-20P

ISOMETRIC

DETAIL A



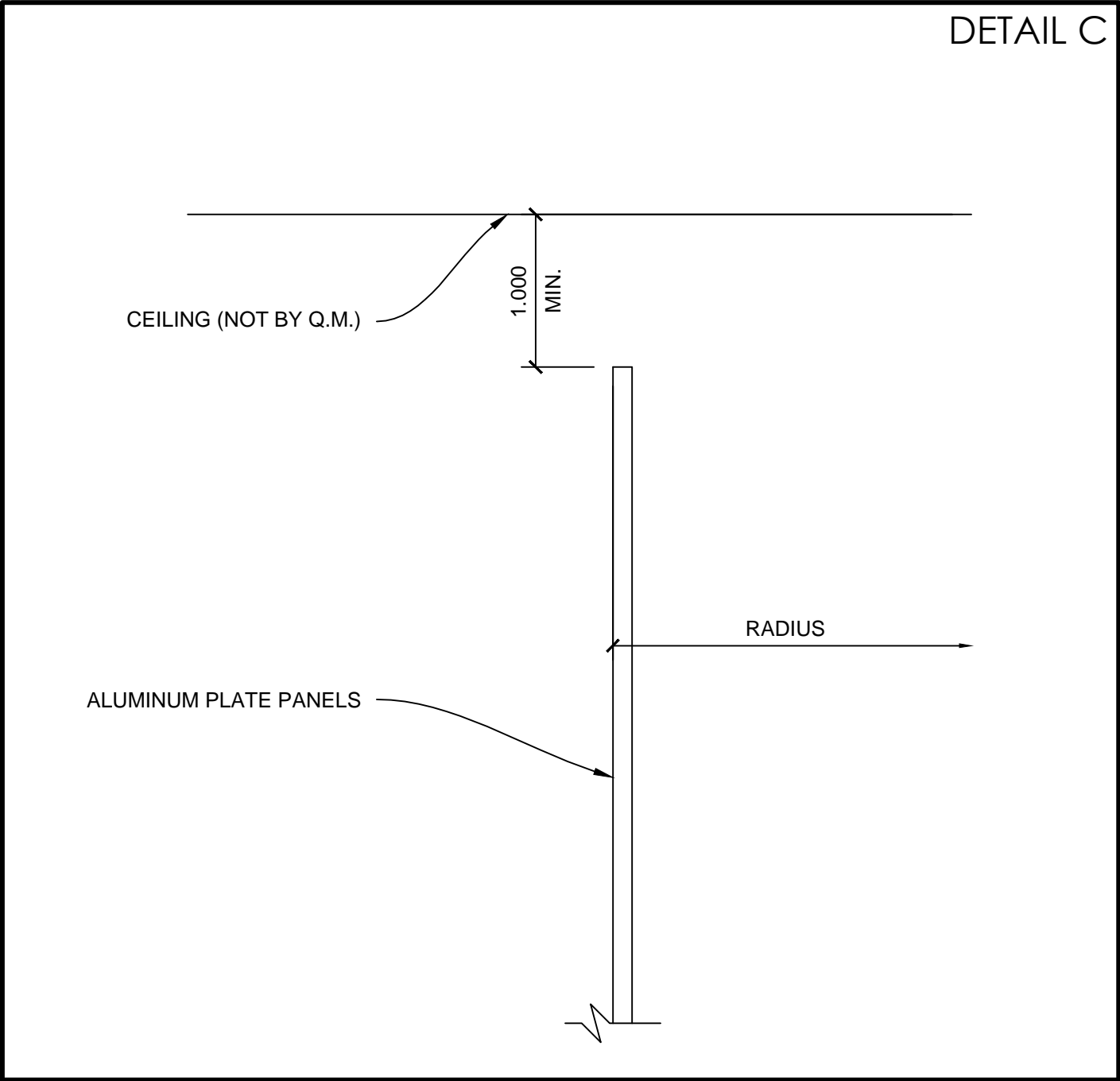
VERTICAL DETAIL (1)





AC-20P

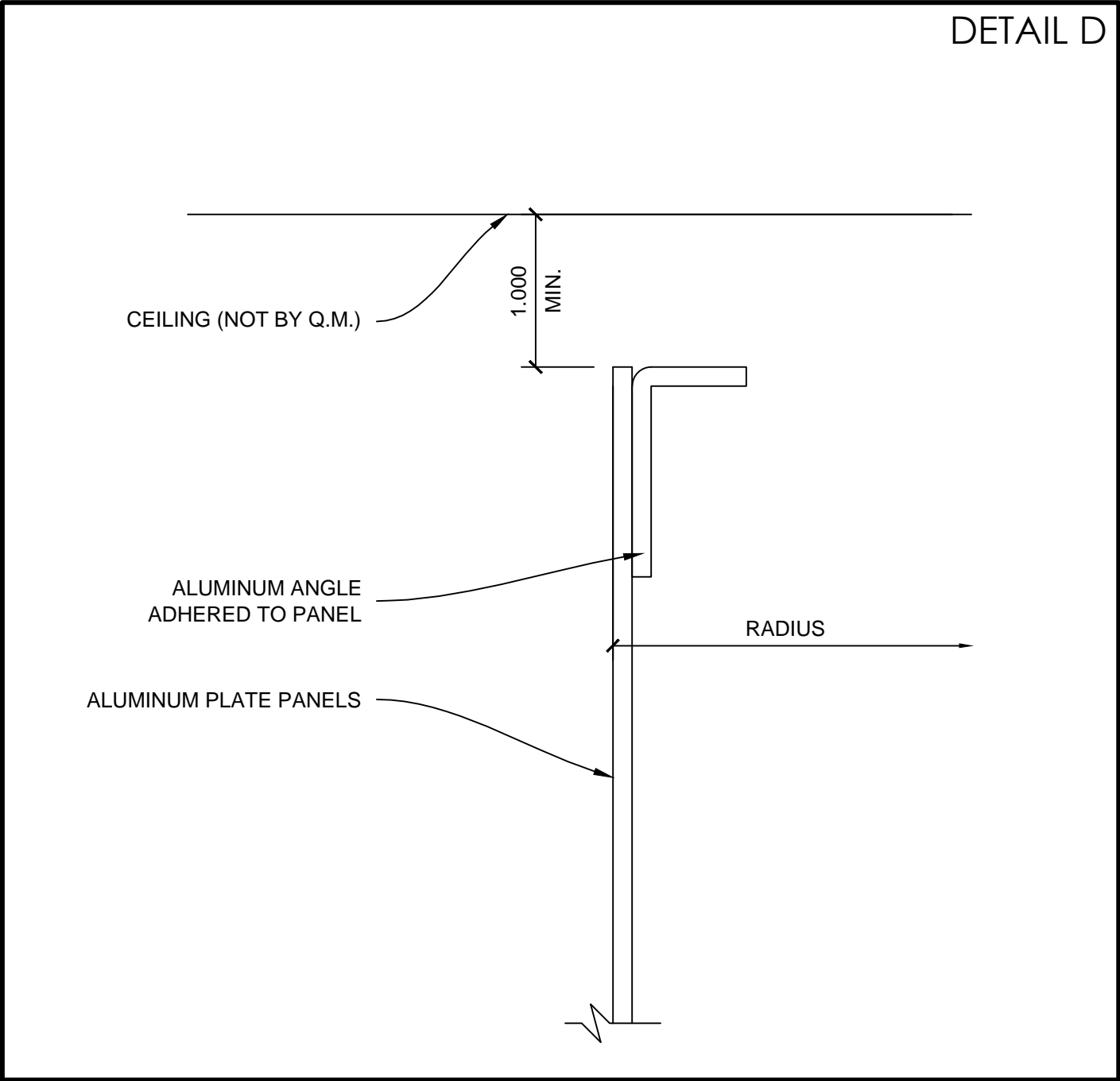
HEAD DETAIL (1)



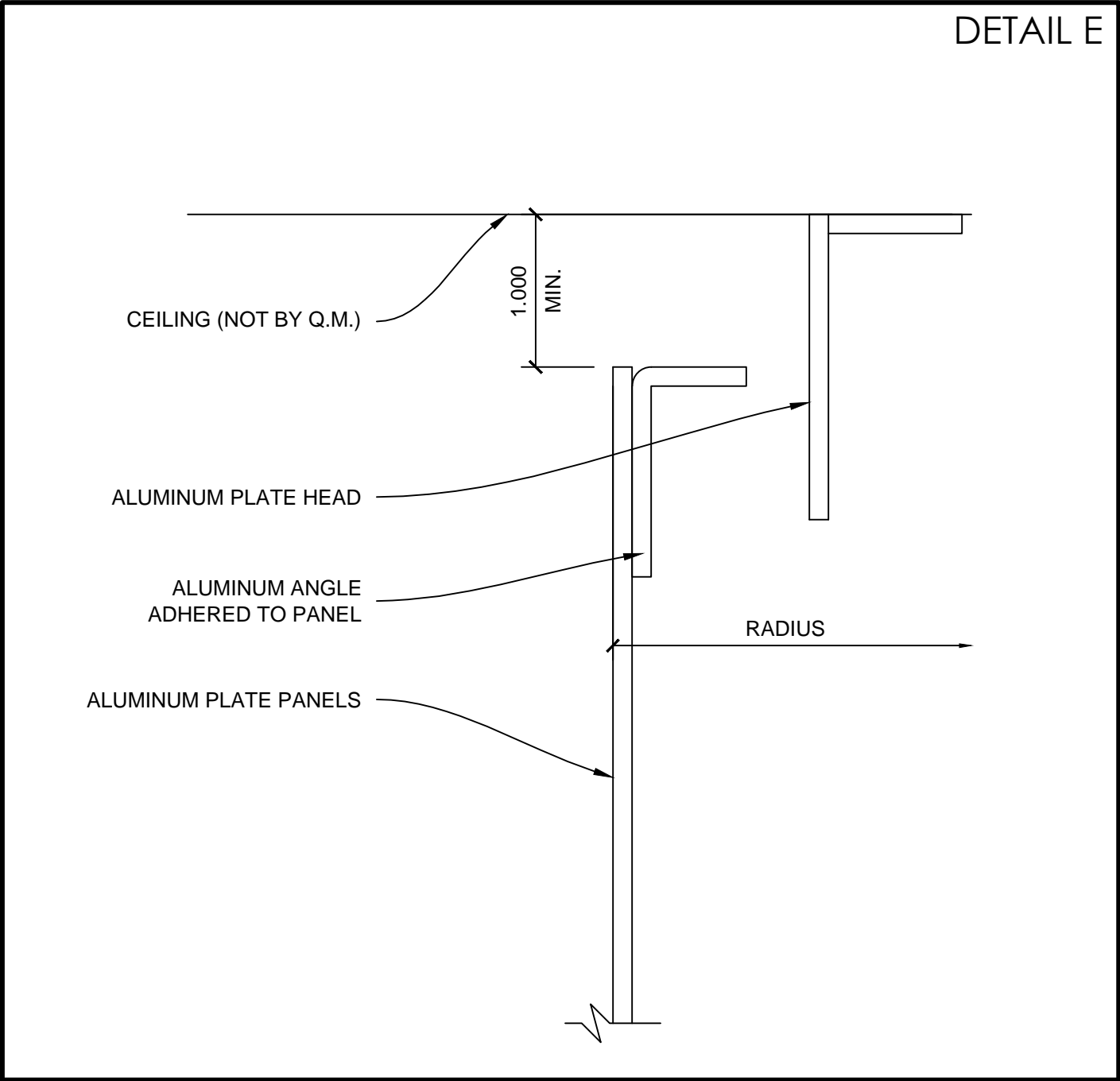


AC-20P

HEAD DETAIL (2)



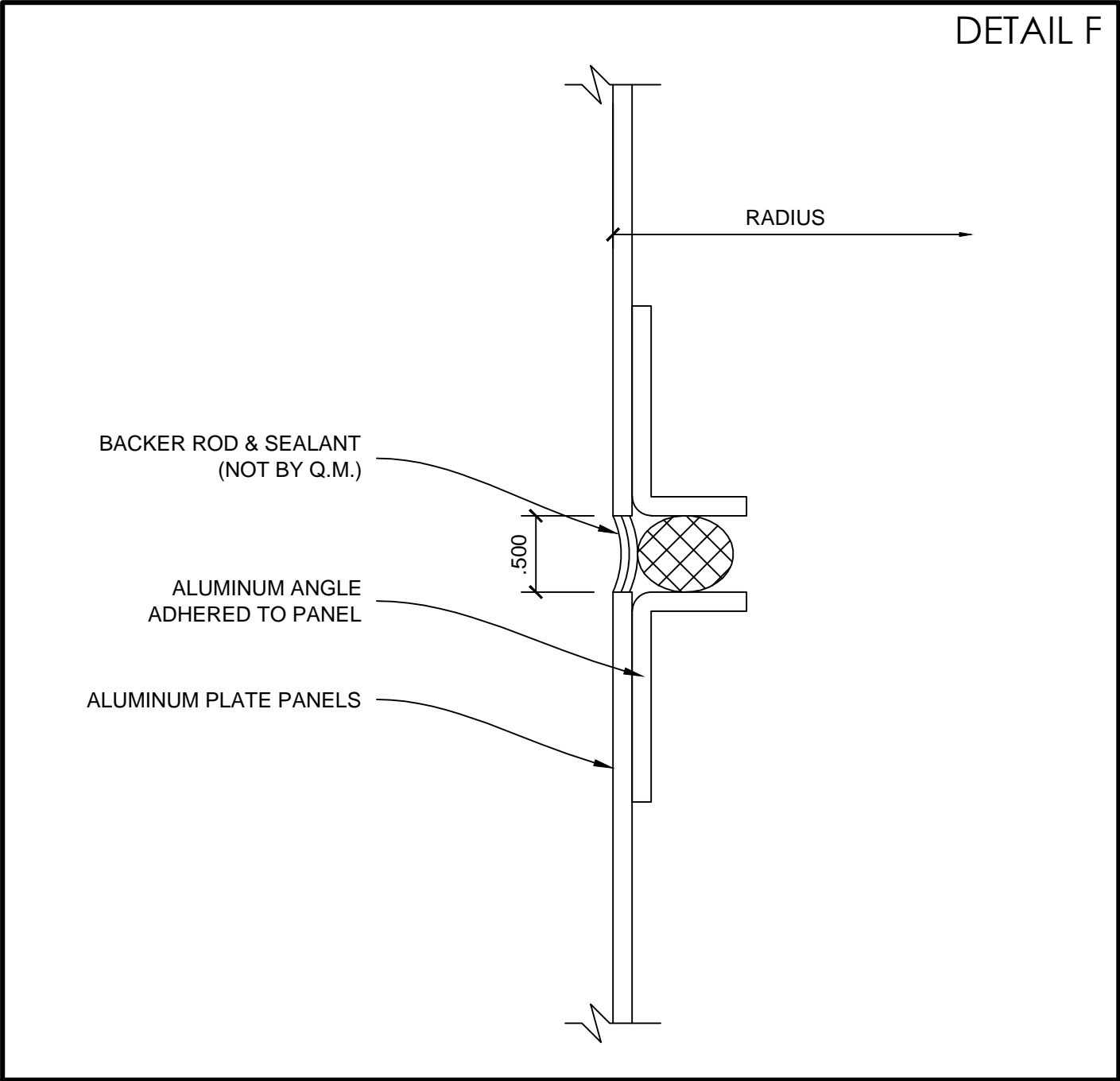
HEAD DETAIL (3)





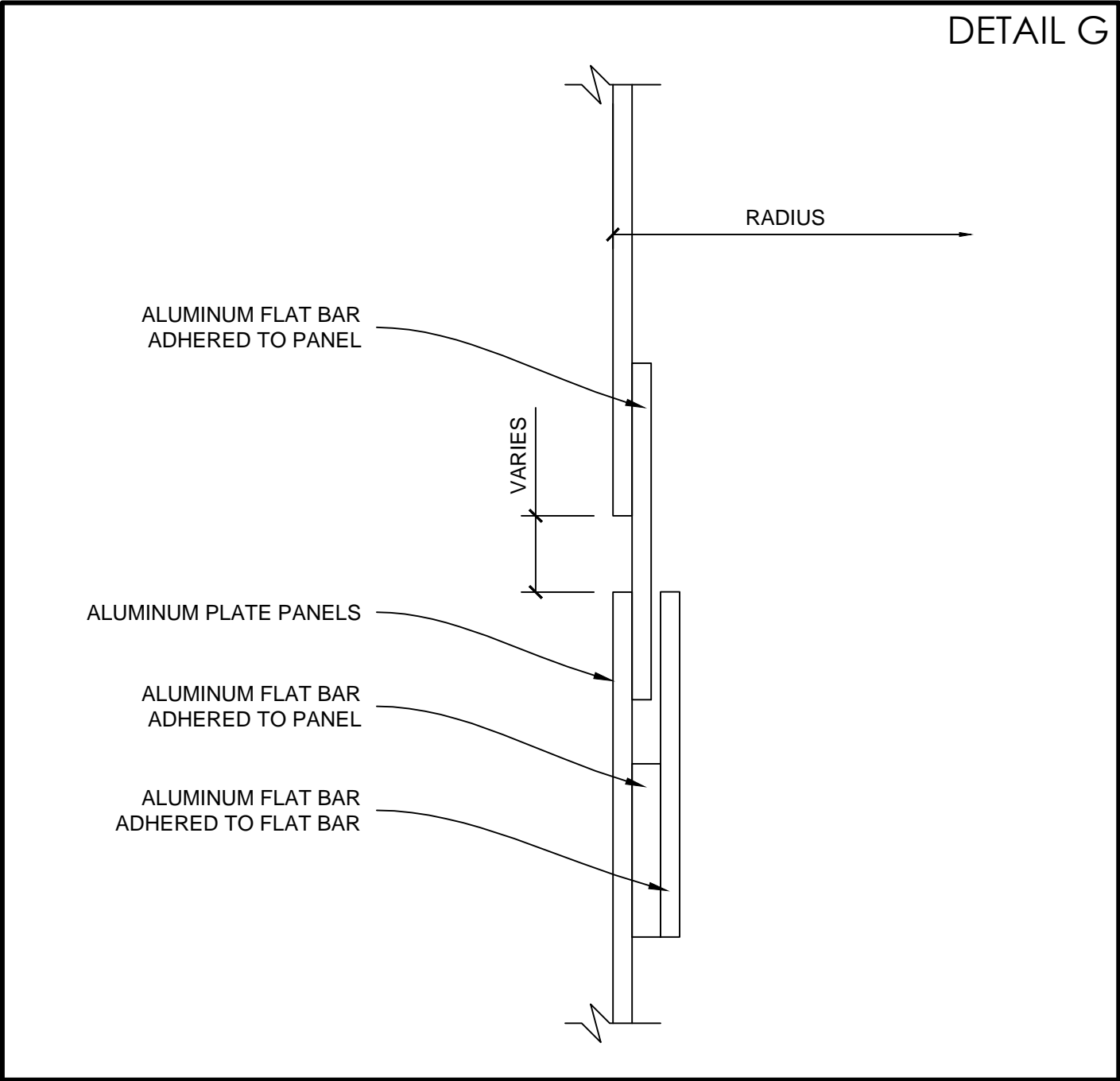
AC-20P

INTERMEDIATE DETAIL (1)

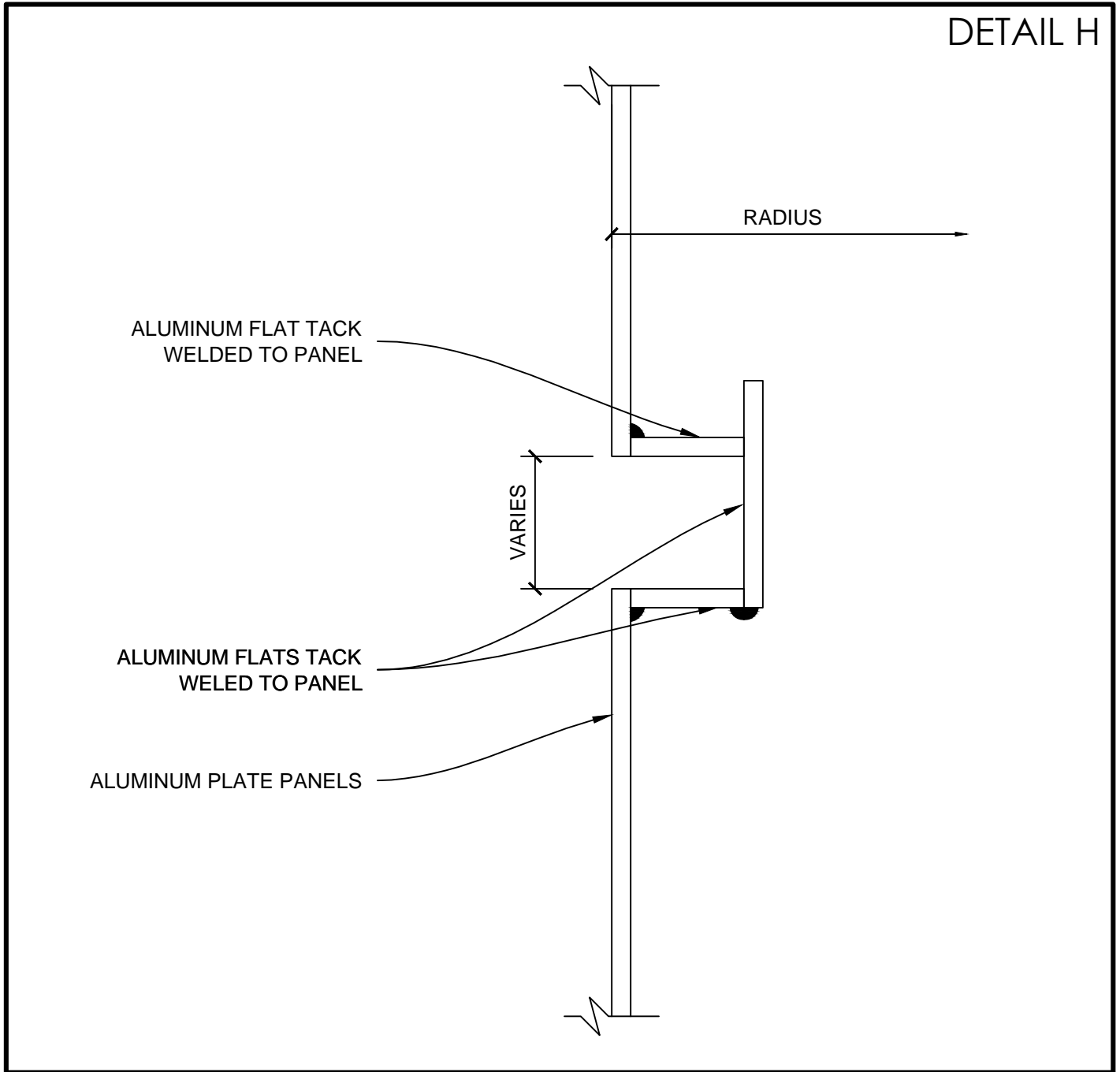


DETAIL F

INTERMEDIATE DETAIL (2)



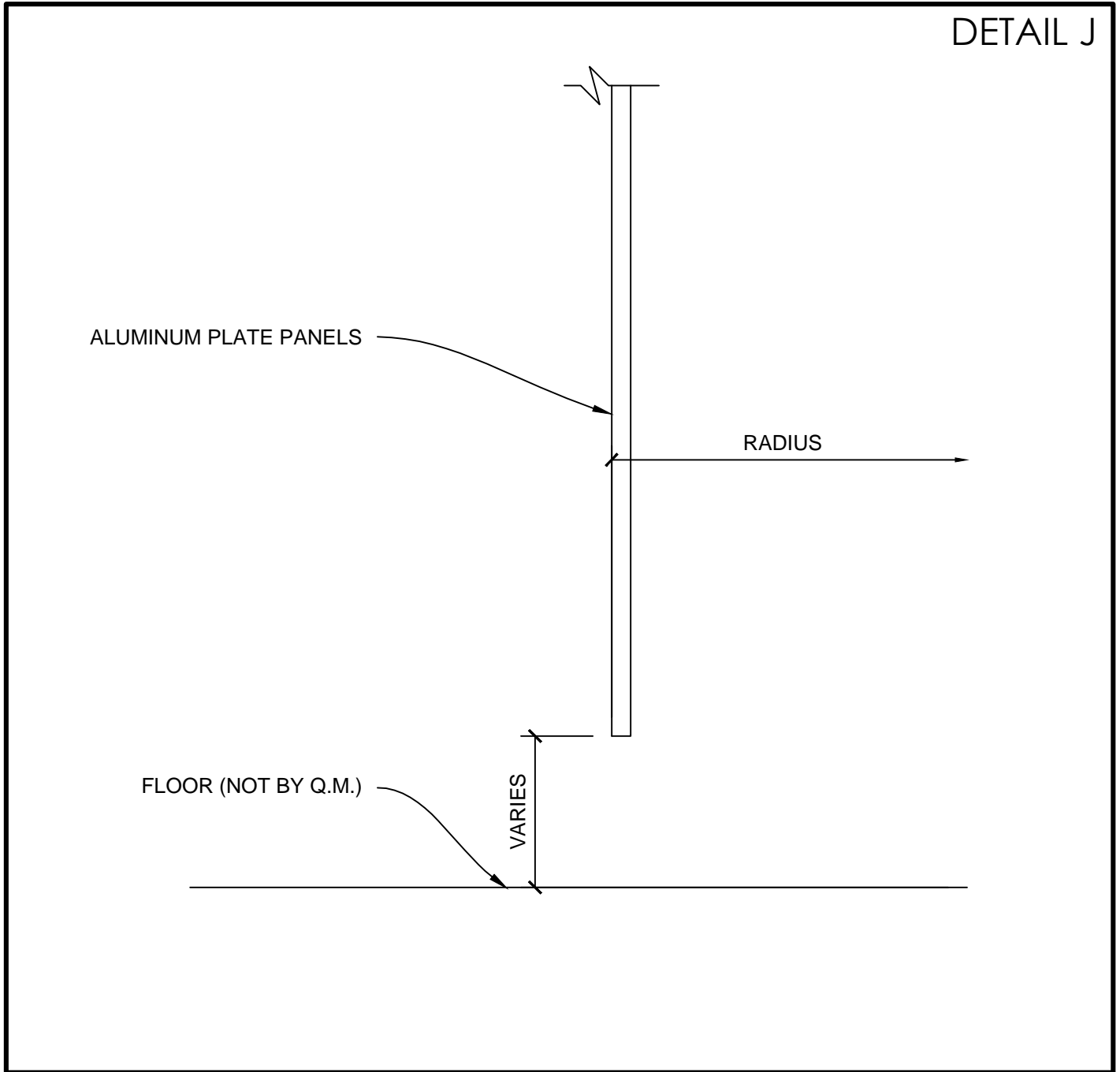
INTERMEDIATE DETAIL (3)





AC-20P

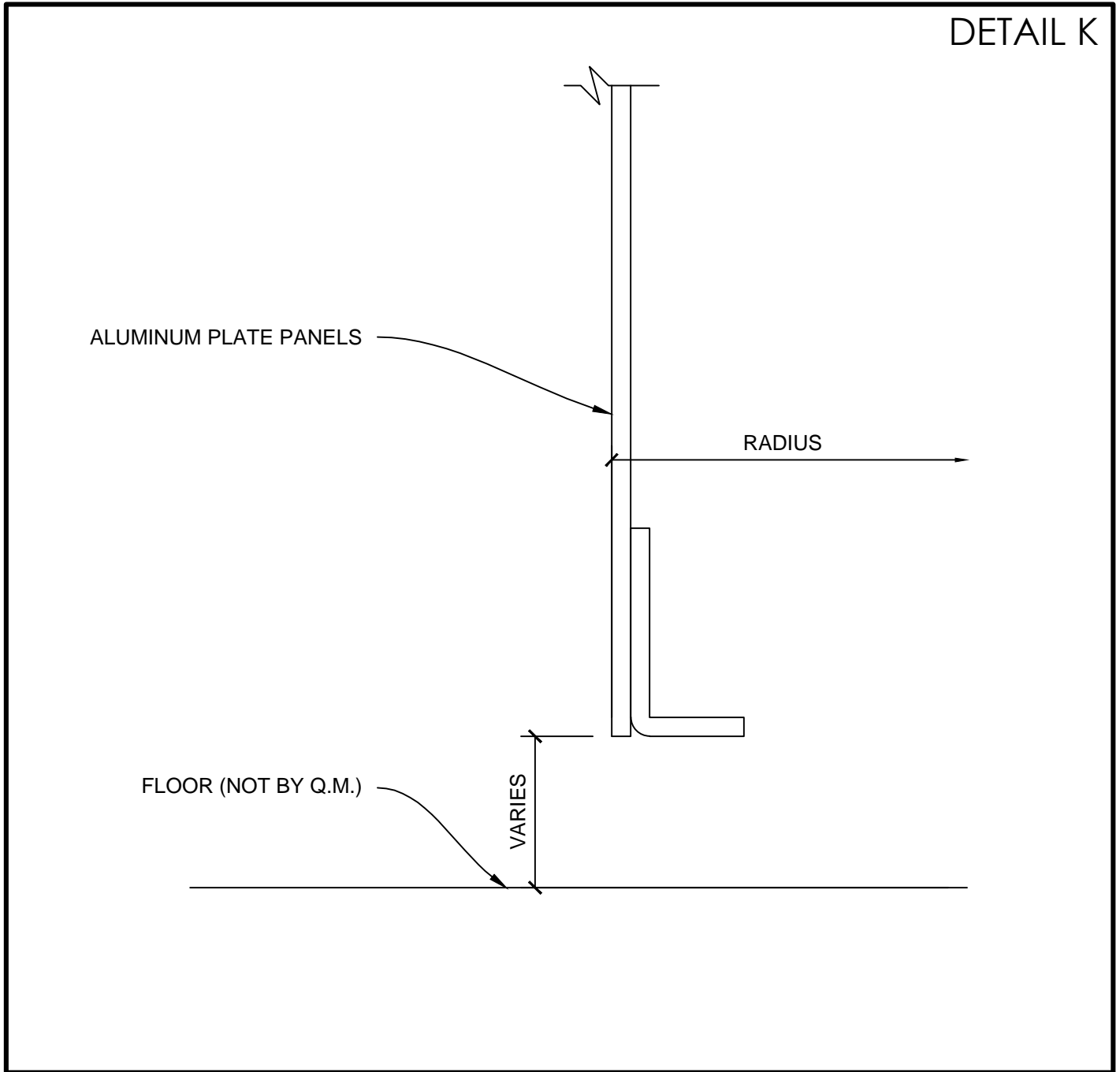
BASE DETAIL (1)



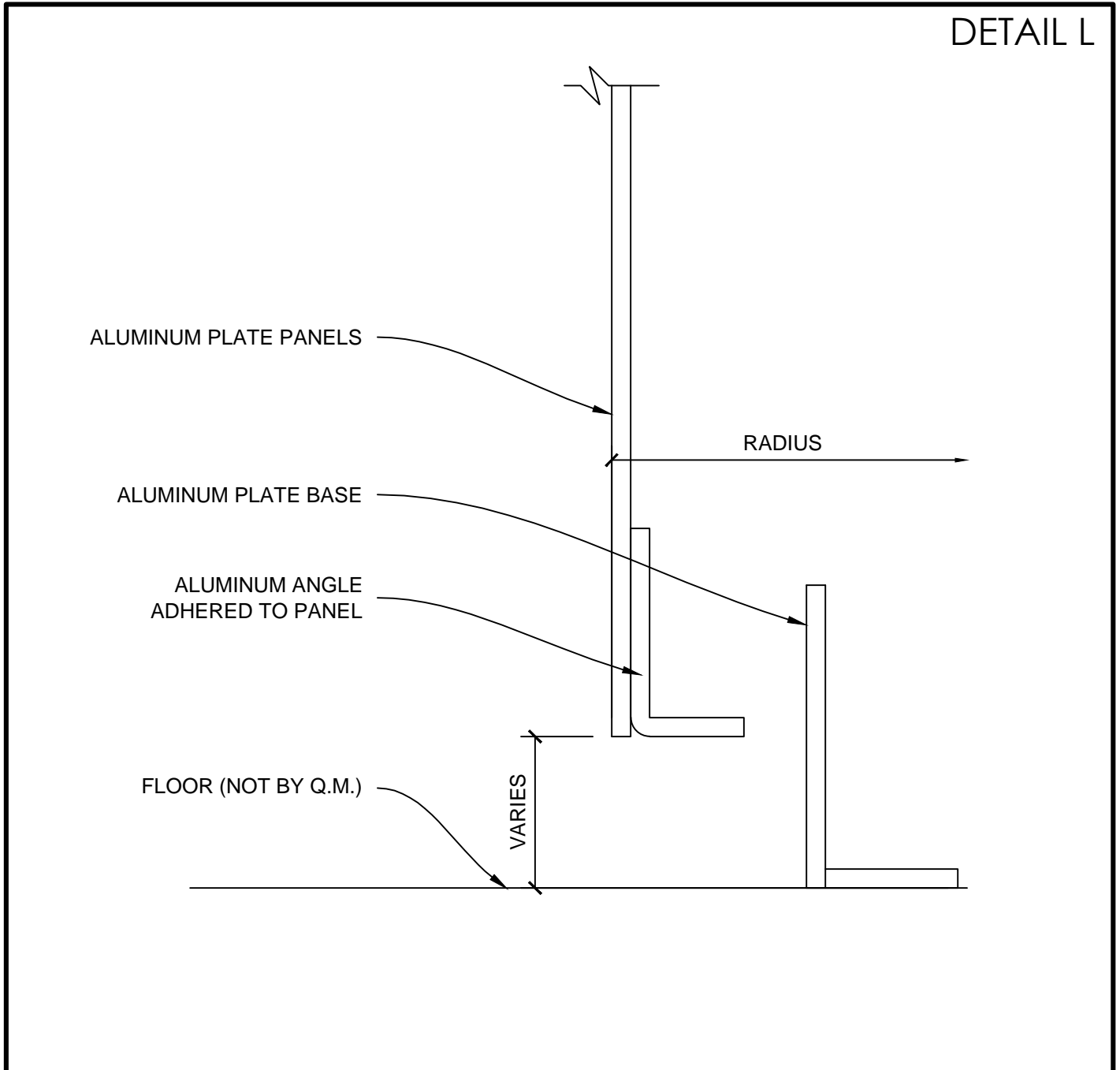


AC-20P

BASE DETAIL (2)

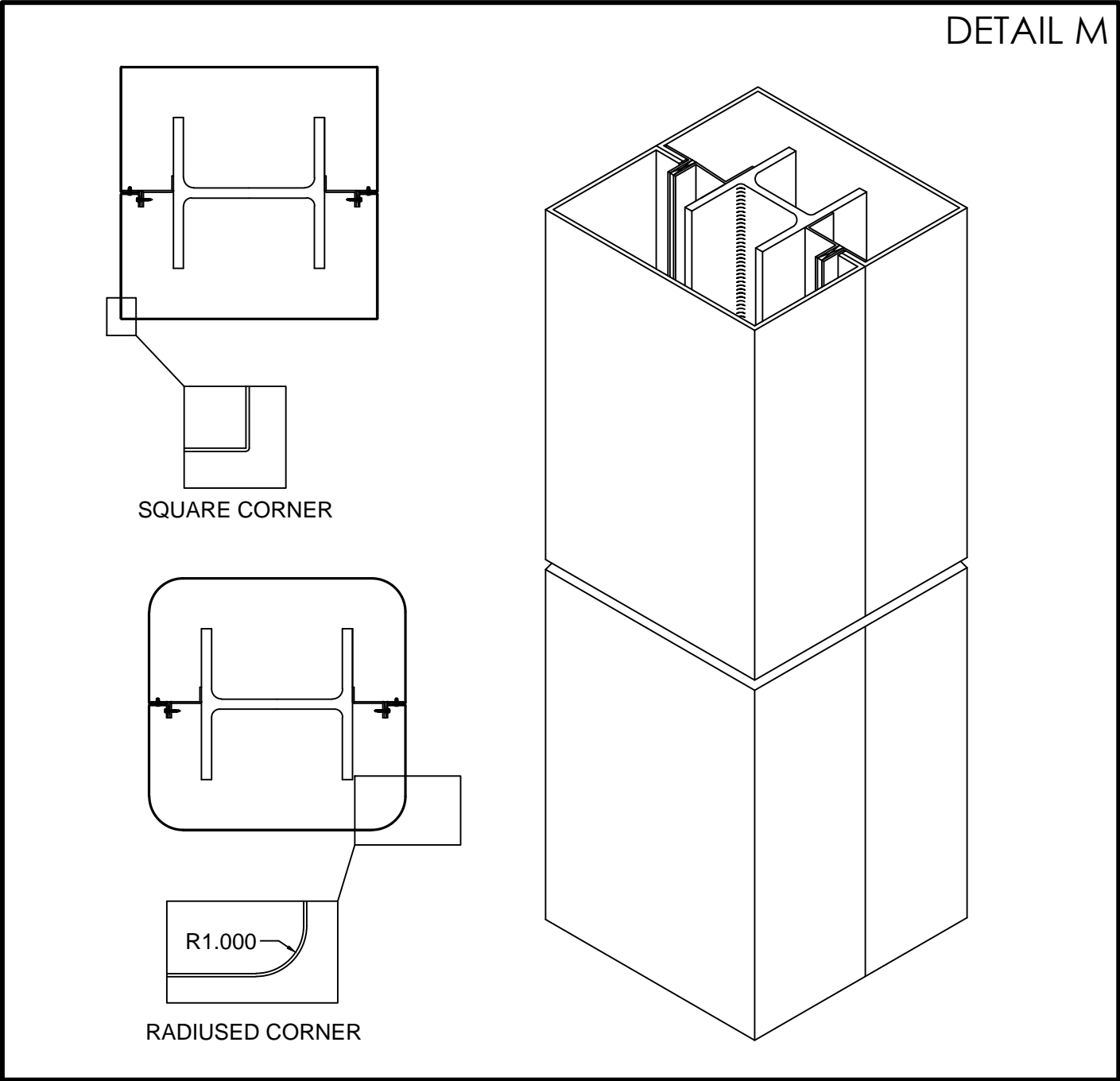


BASE DETAIL (3)

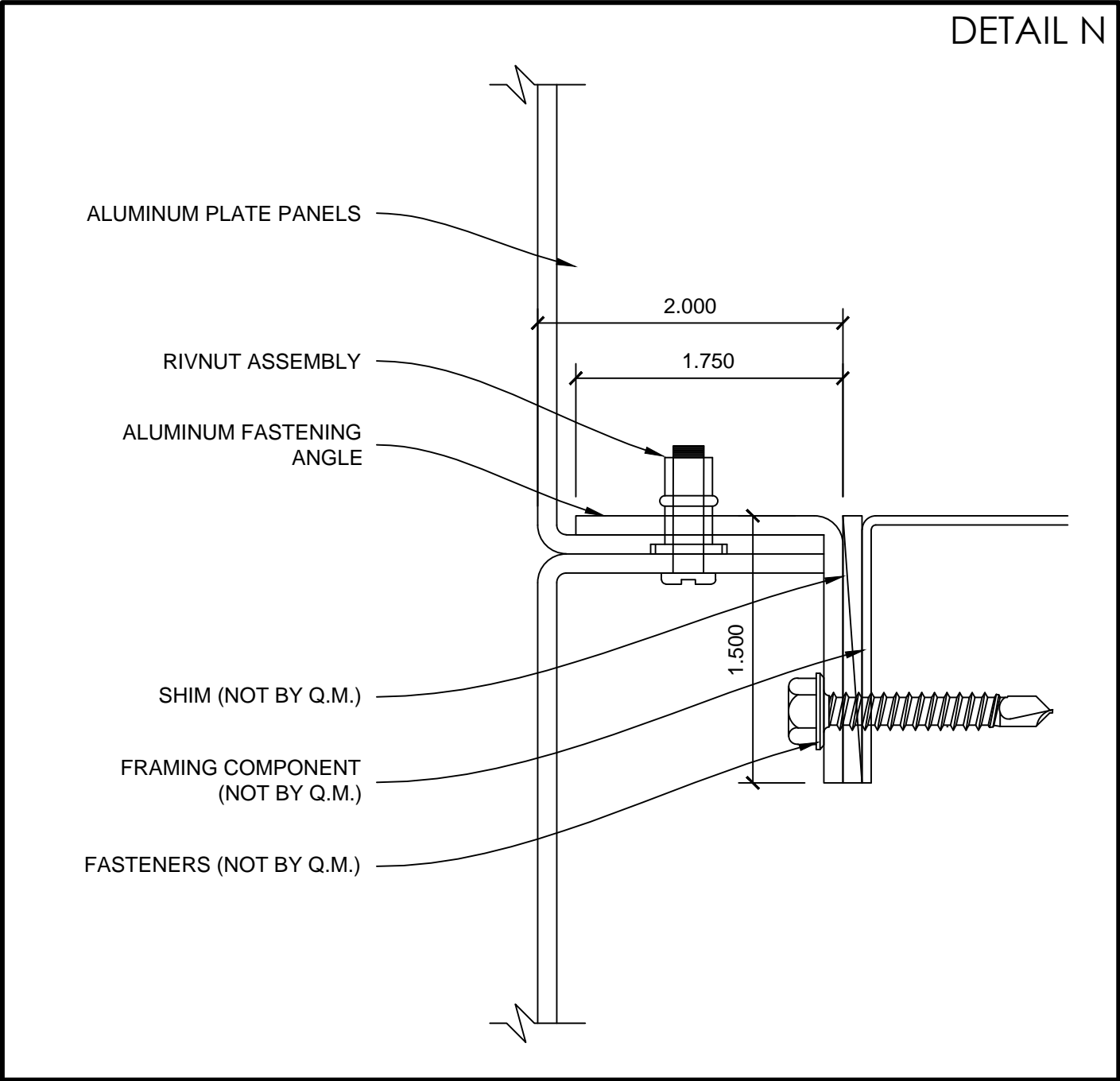


ISOMETRIC

DETAIL M



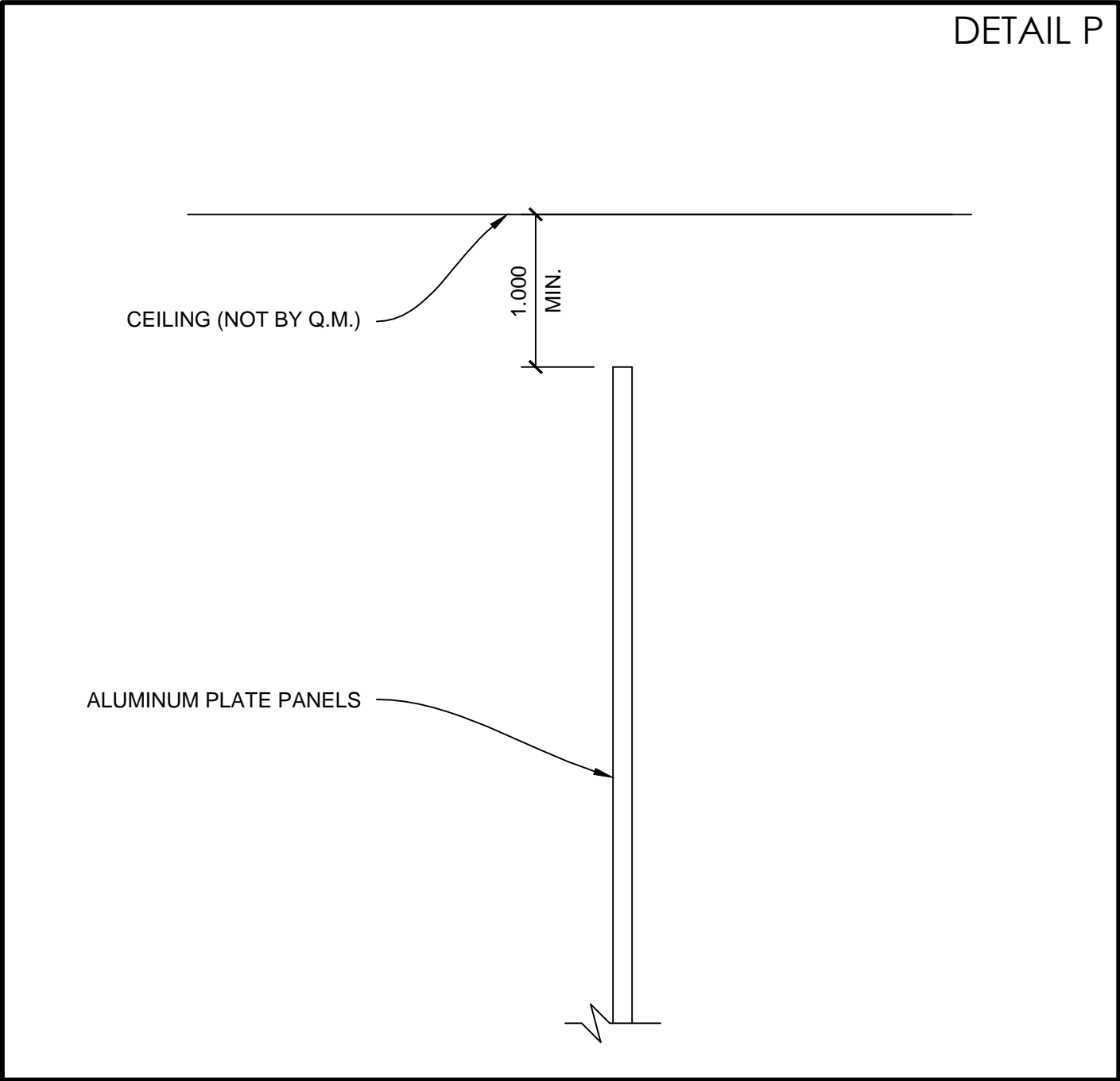
VERTICAL DETAIL (1)





AC-20P

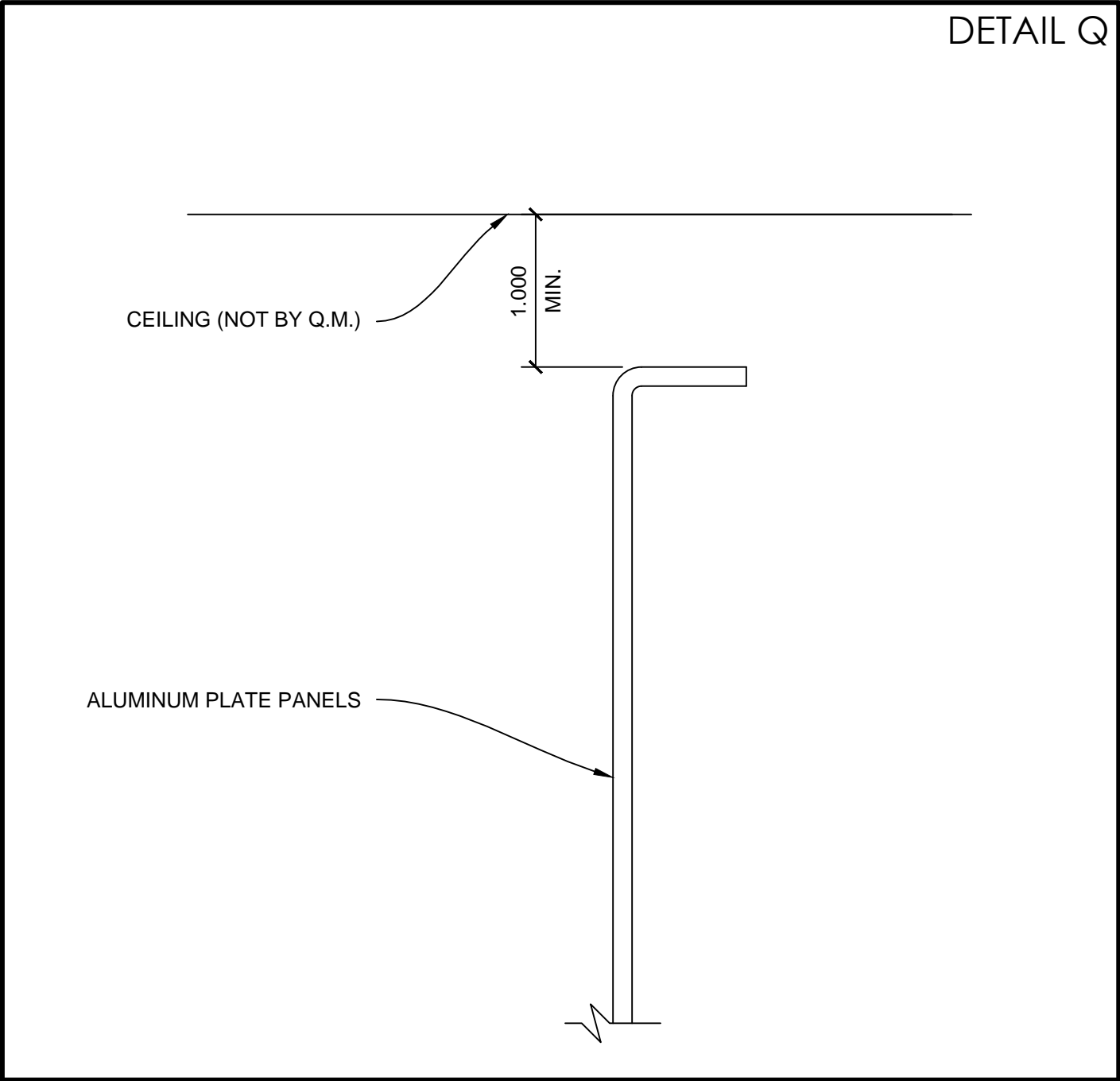
HEAD DETAIL (1)





AC-20P

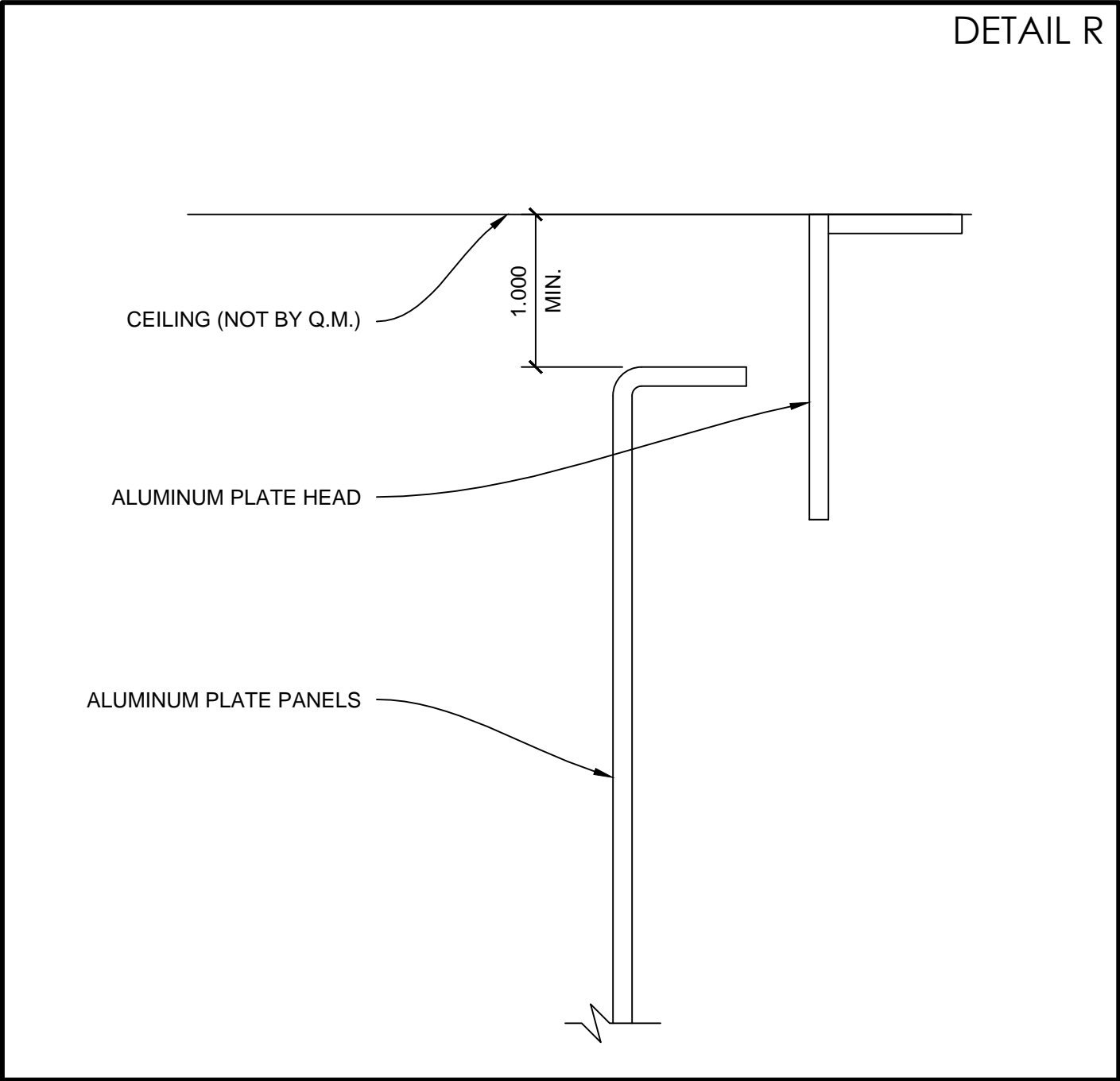
HEAD DETAIL (2)





AC-20P

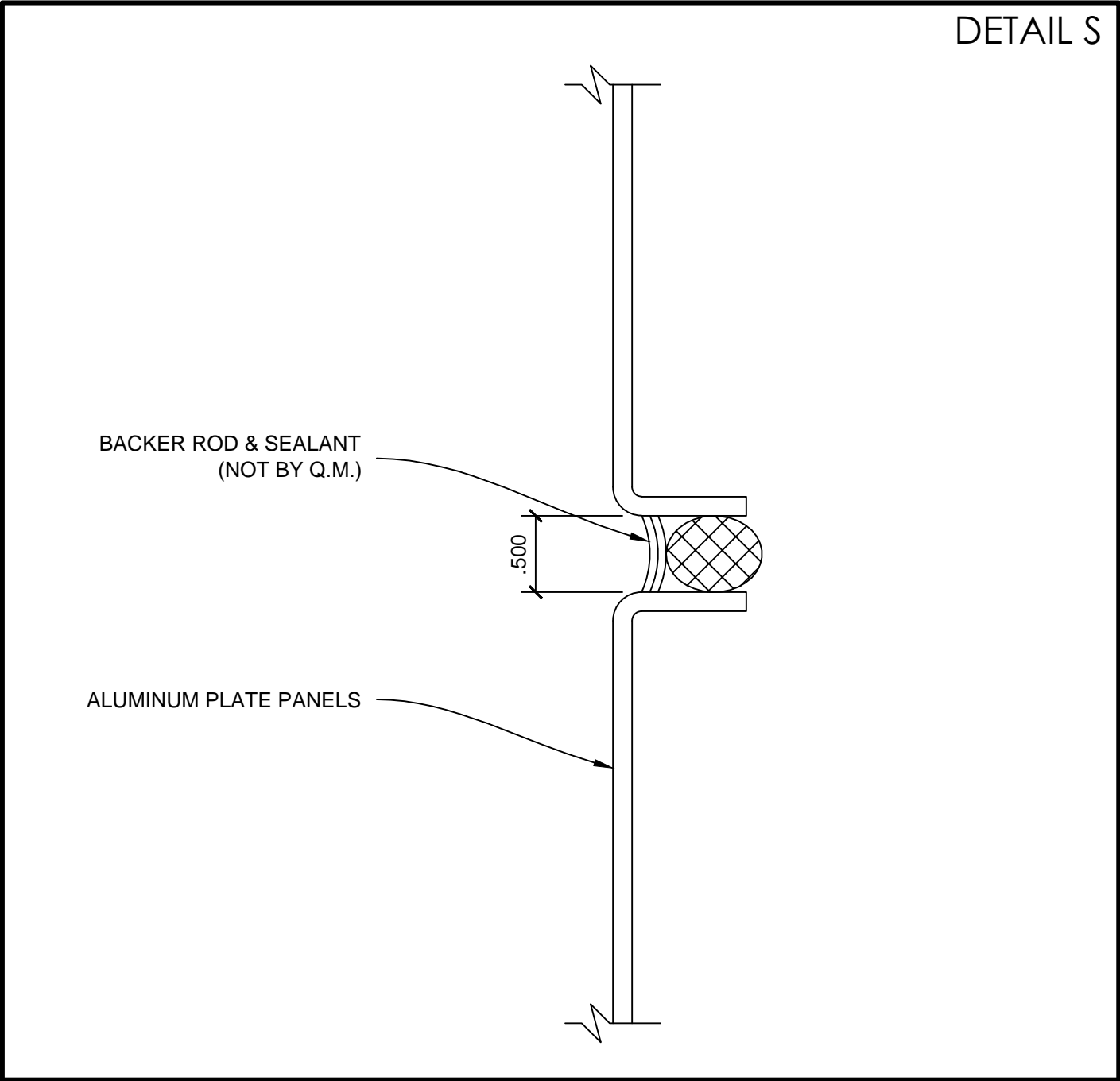
HEAD DETAIL (3)



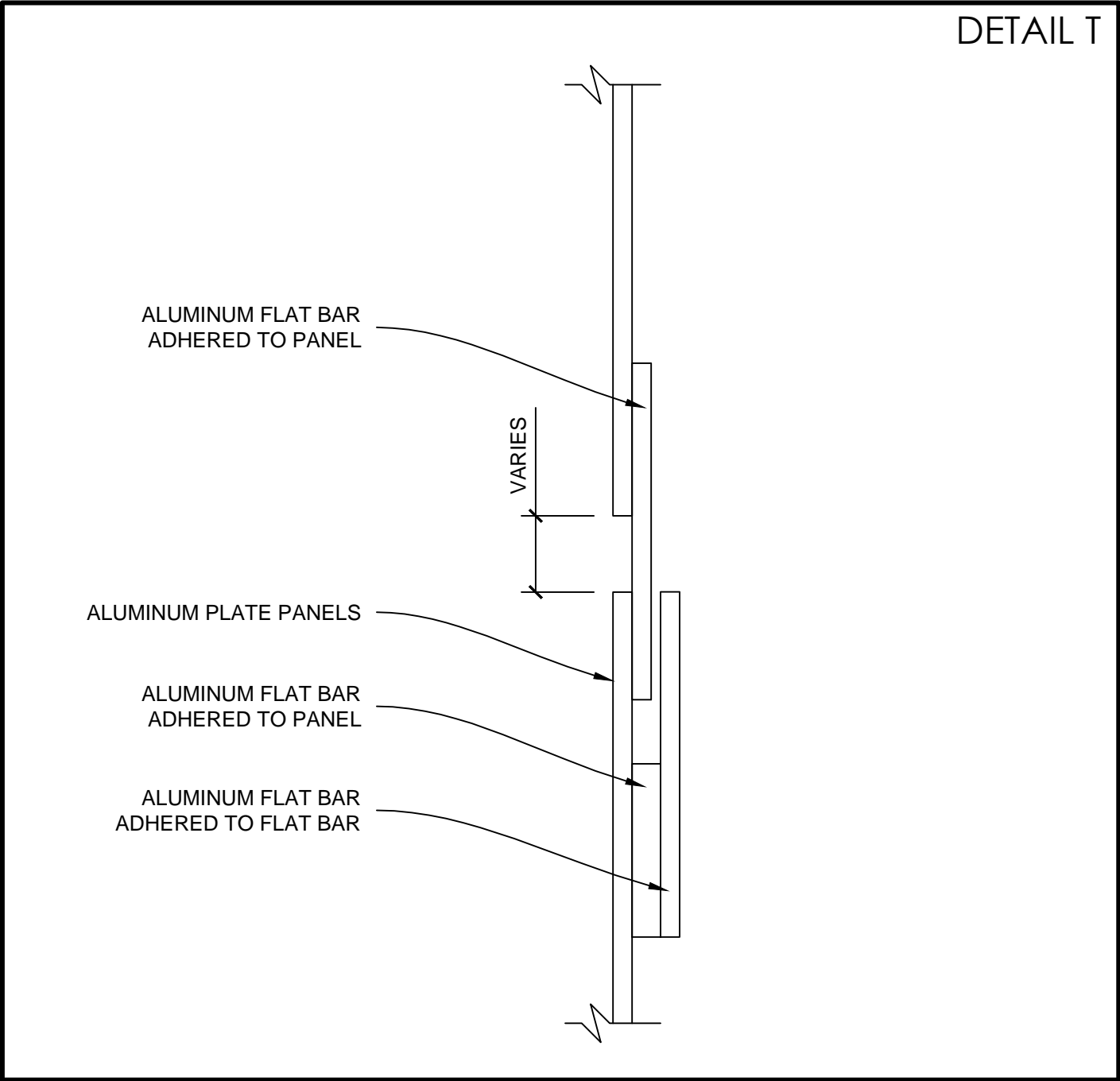


AC-20P

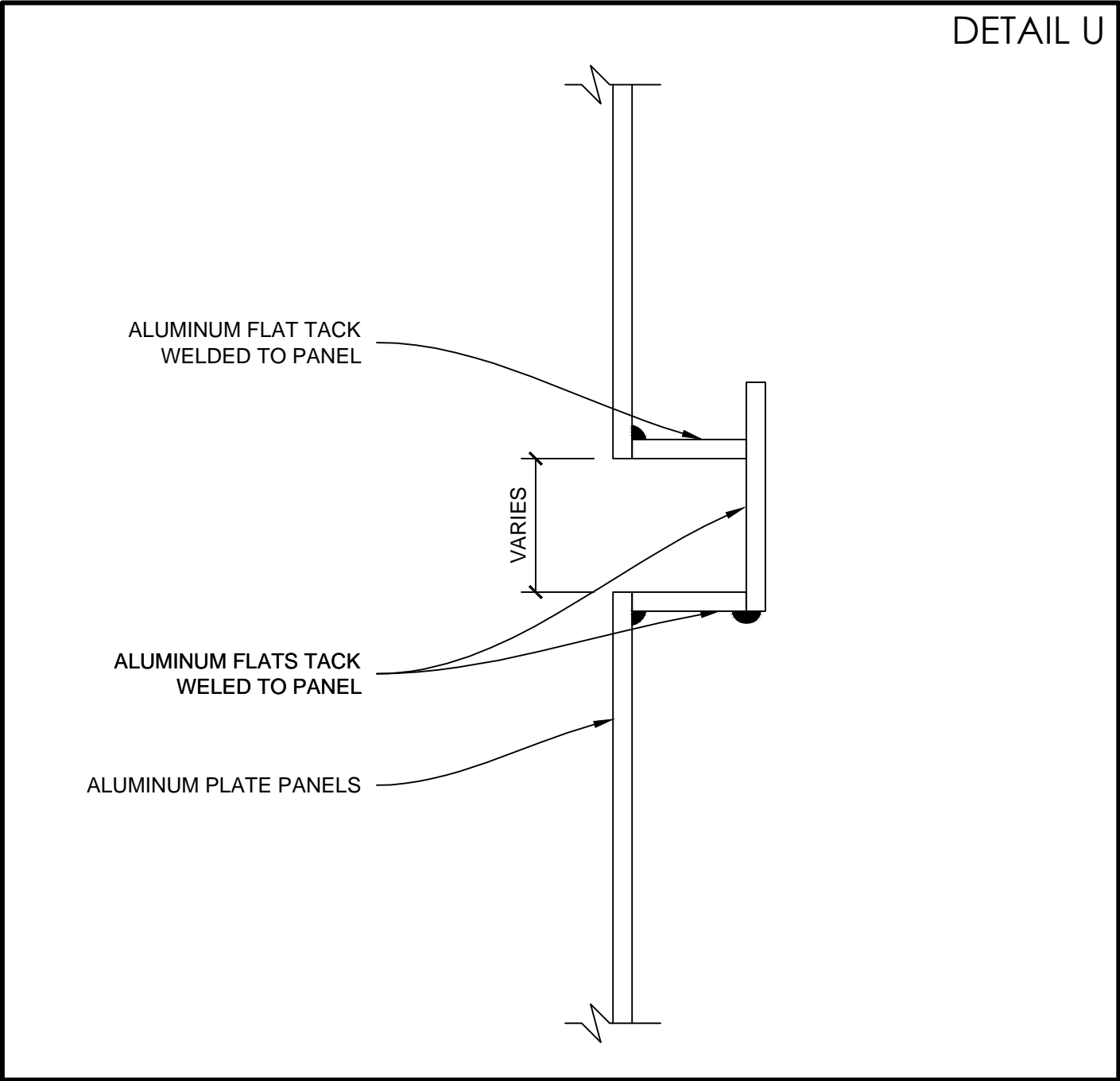
INTERMEDIATE DETAIL (1)



INTERMEDIATE DETAIL (2)



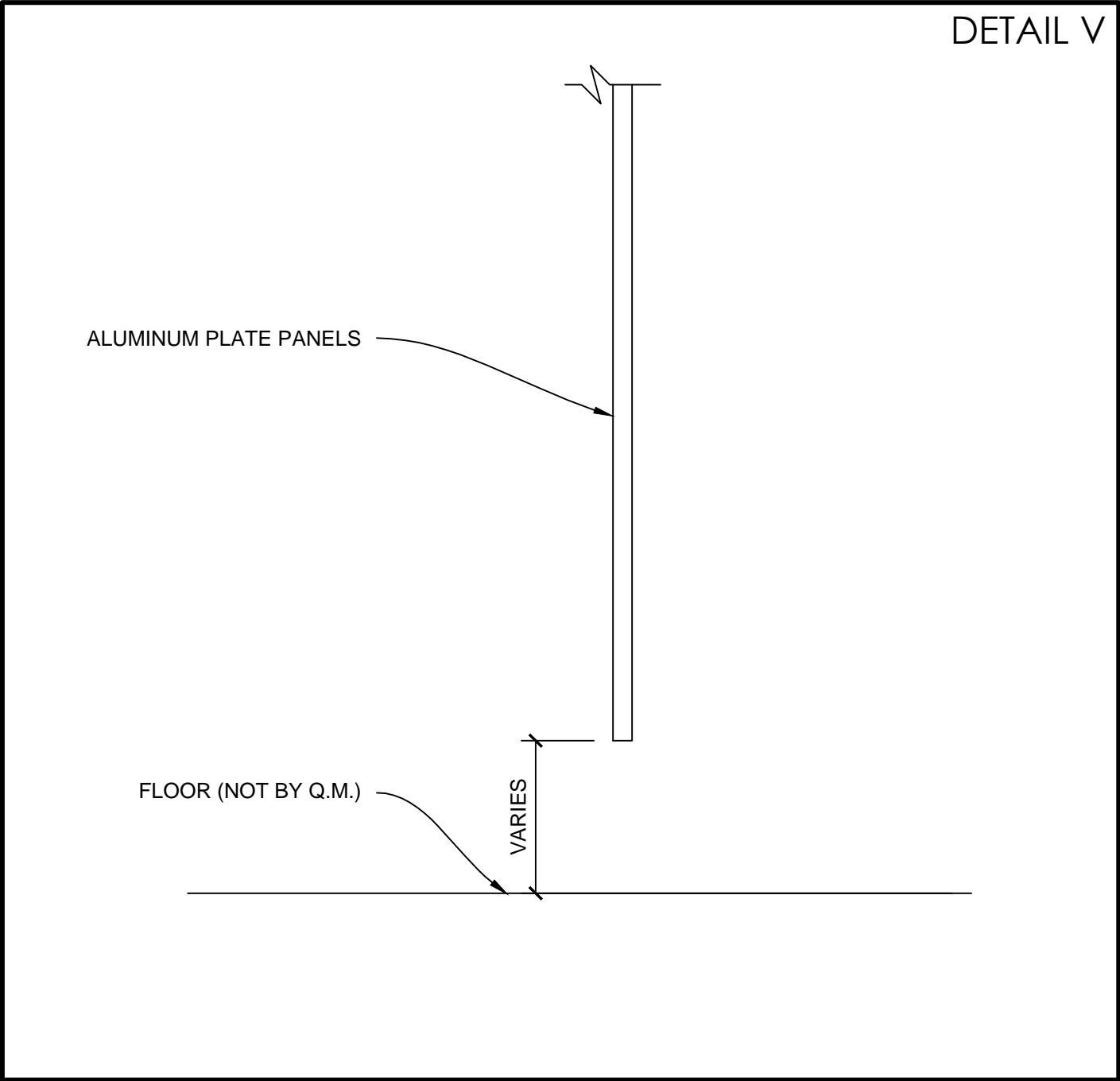
INTERMEDIATE DETAIL (3)





AC-20P

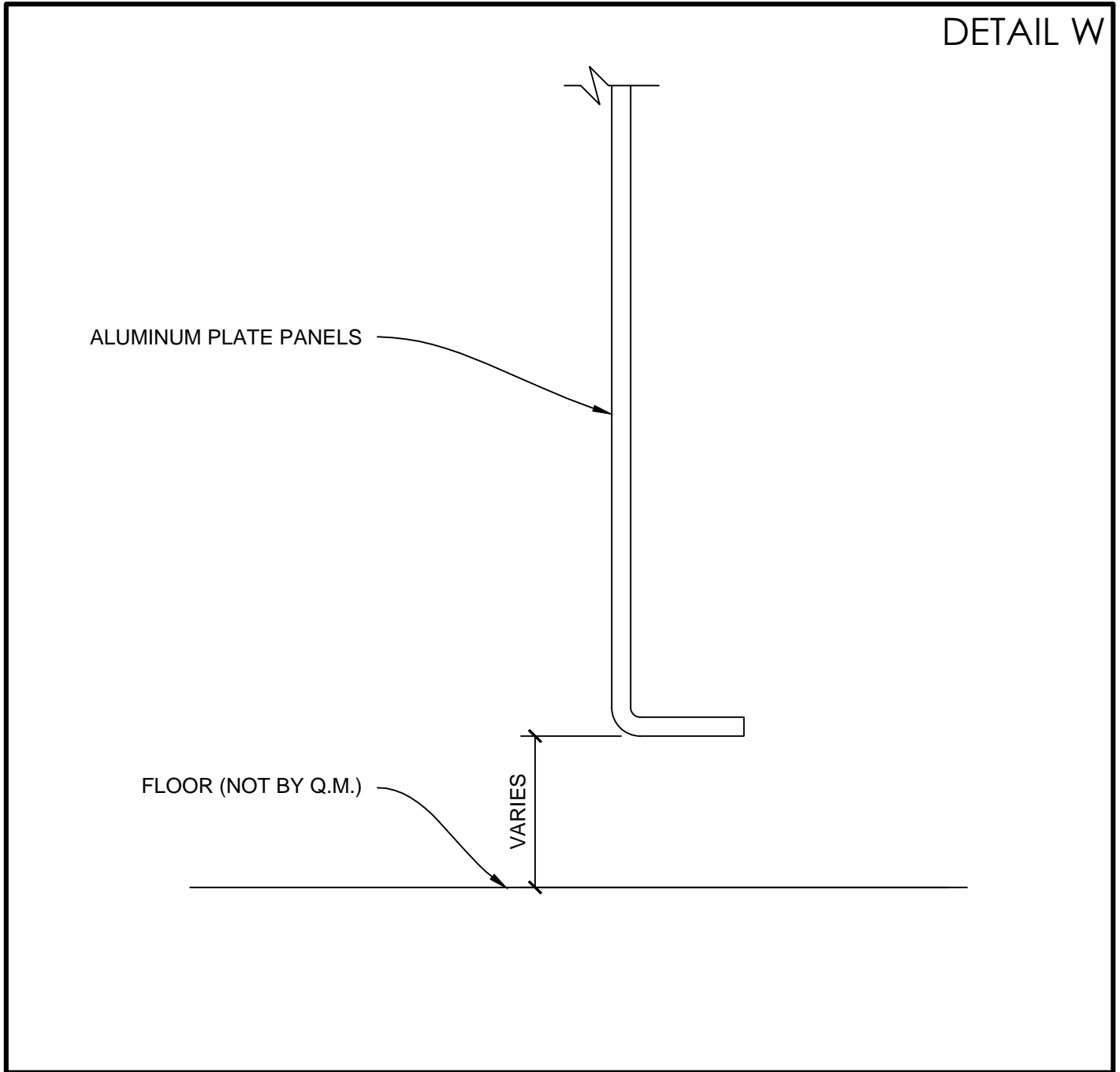
BASE DETAIL (1)





AC-20P

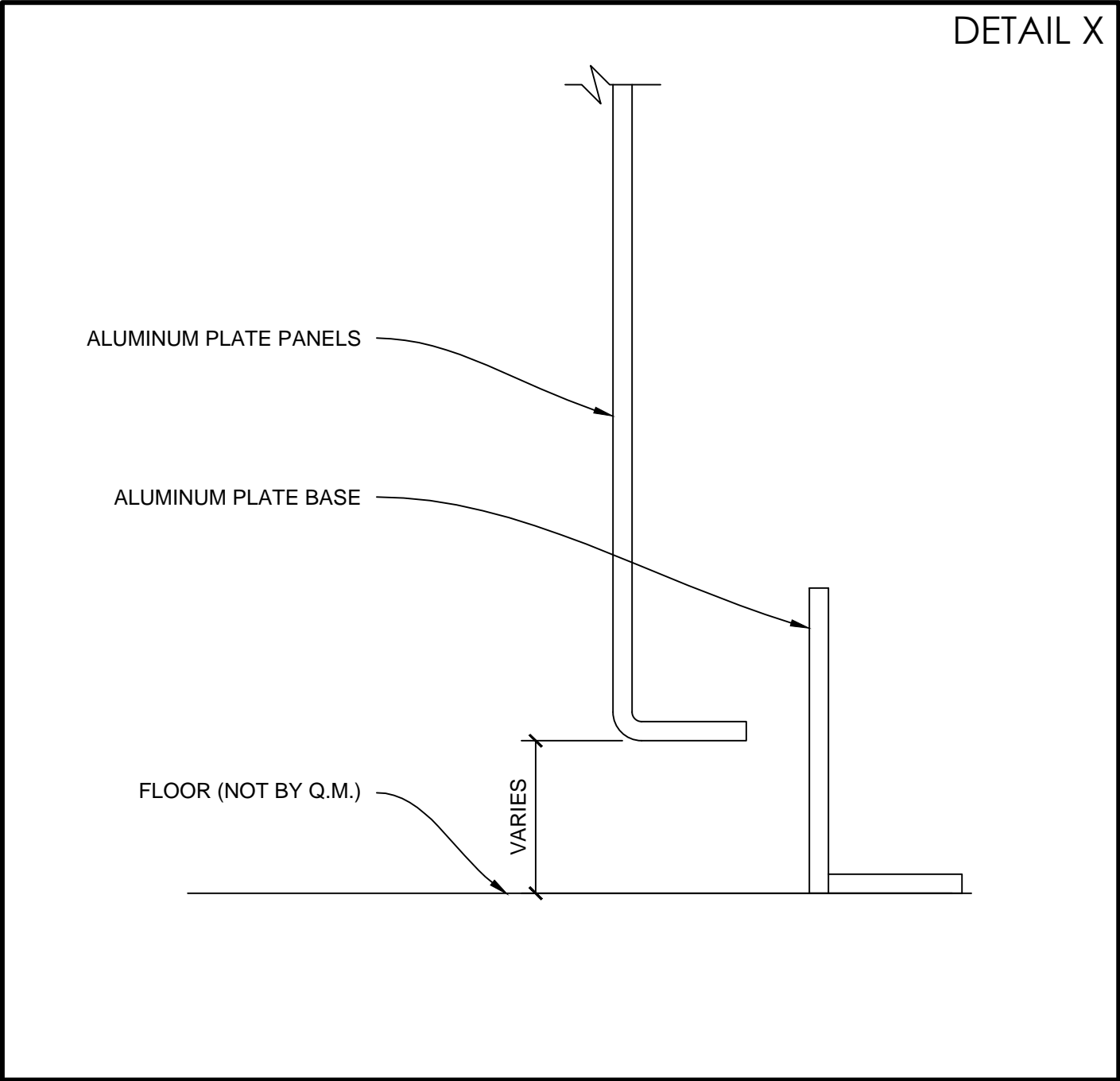
BASE DETAIL (2)





AC-20P

BASE DETAIL (3)



ALUMINUM PLATE COLUMN COVER (HAIRLINE JOINT) INSTALLATION GUIDE

