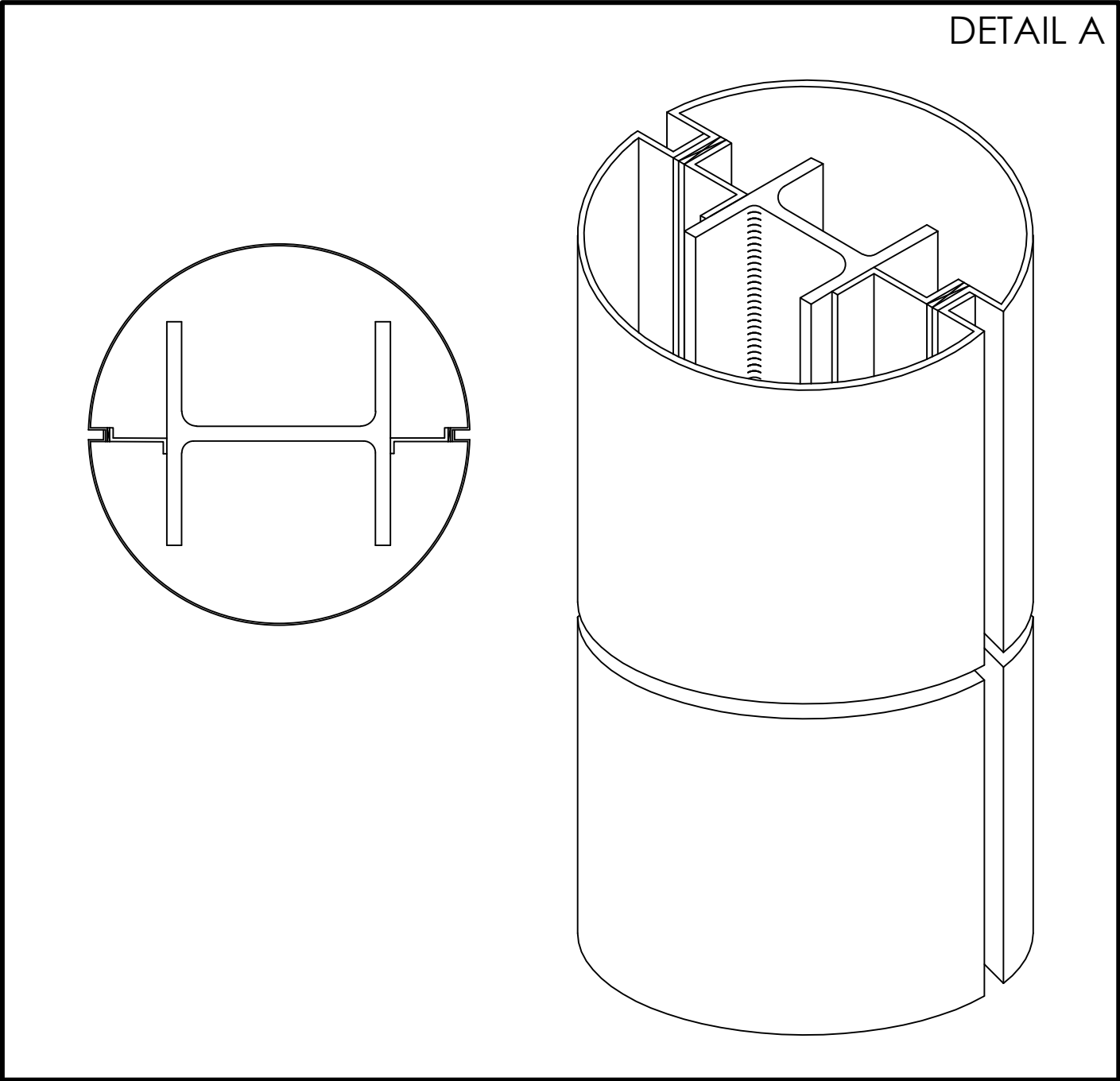


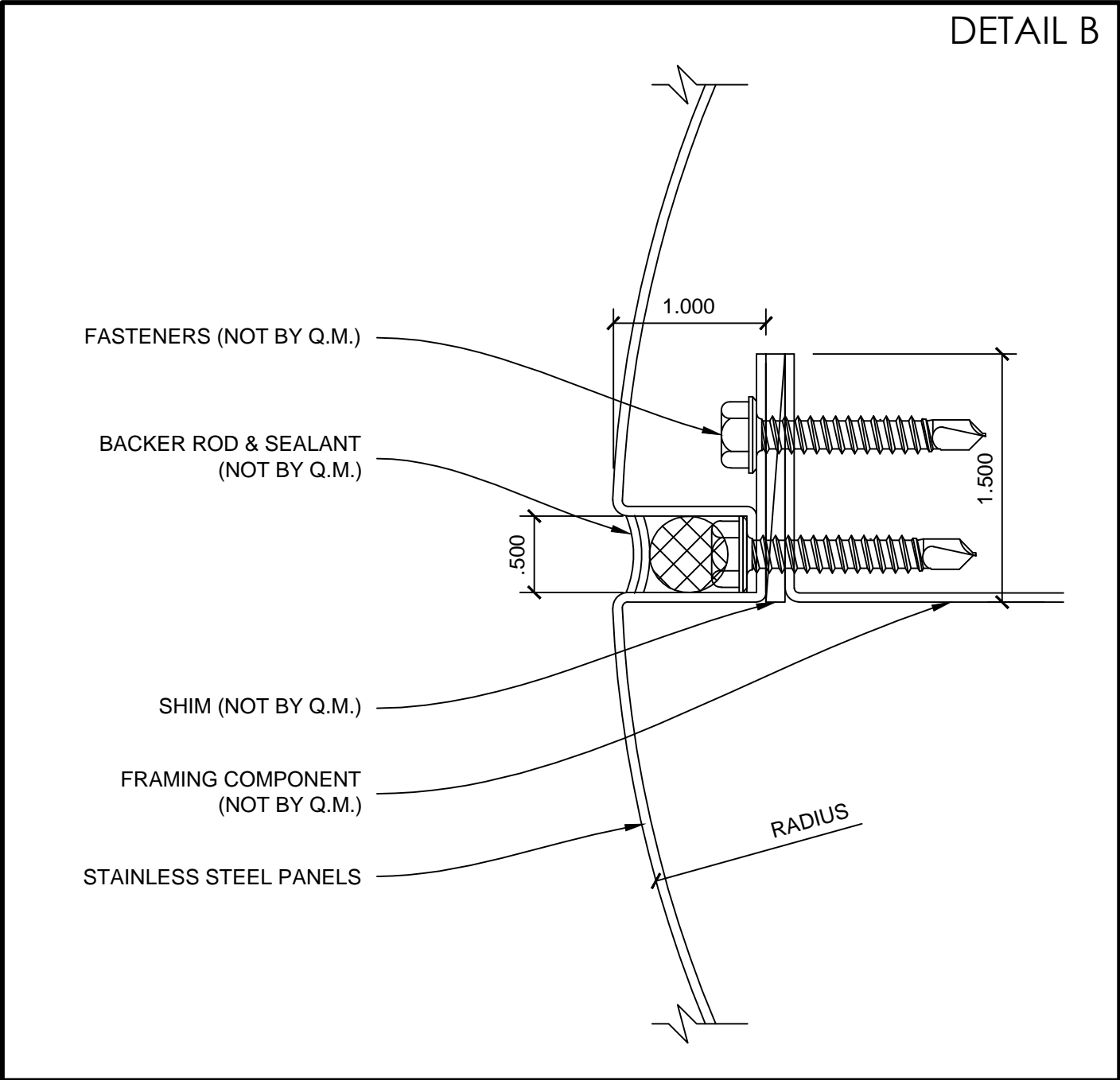


AC-10ST

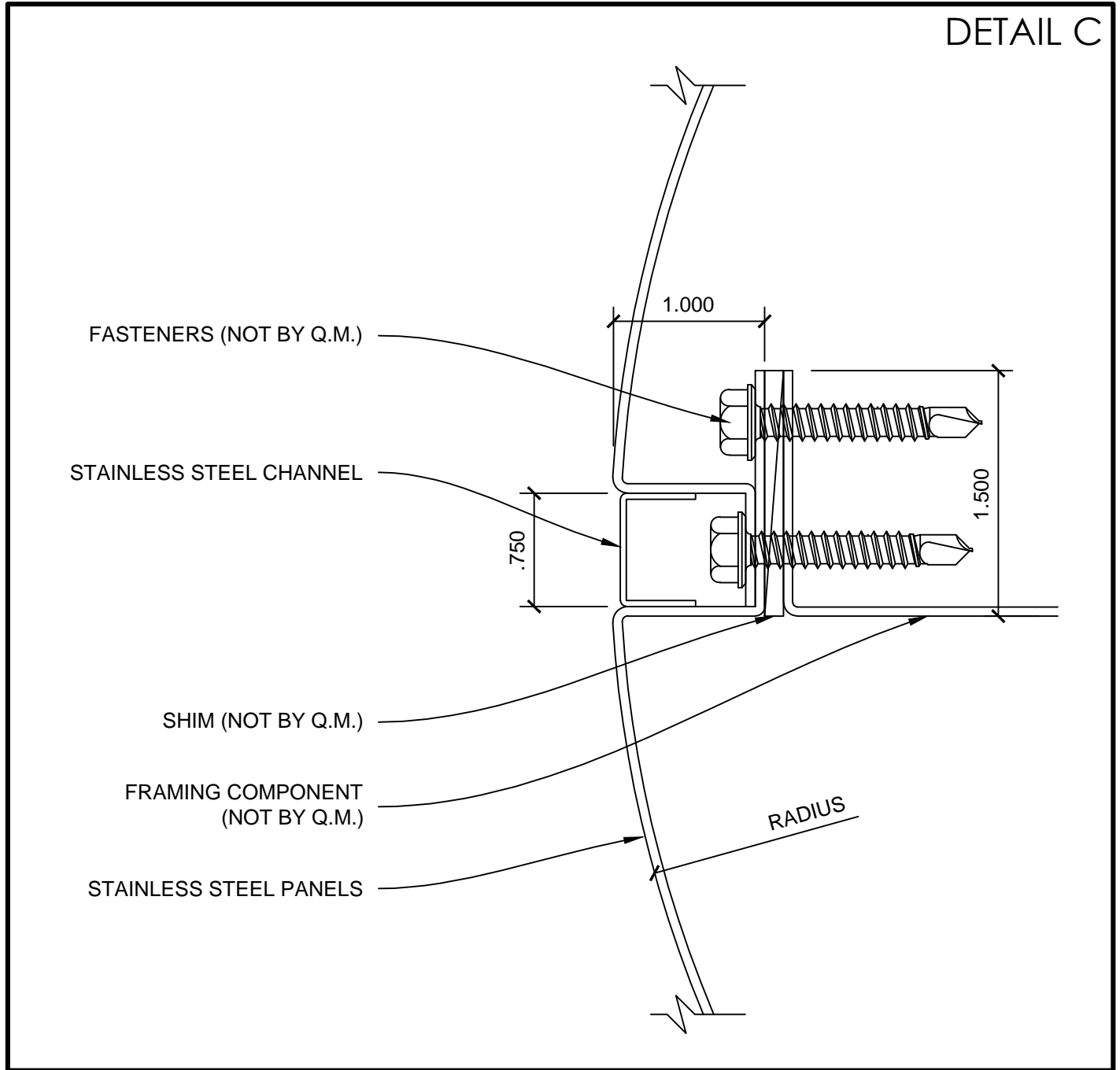
ISOMETRIC



VERTICAL DETAIL (1)



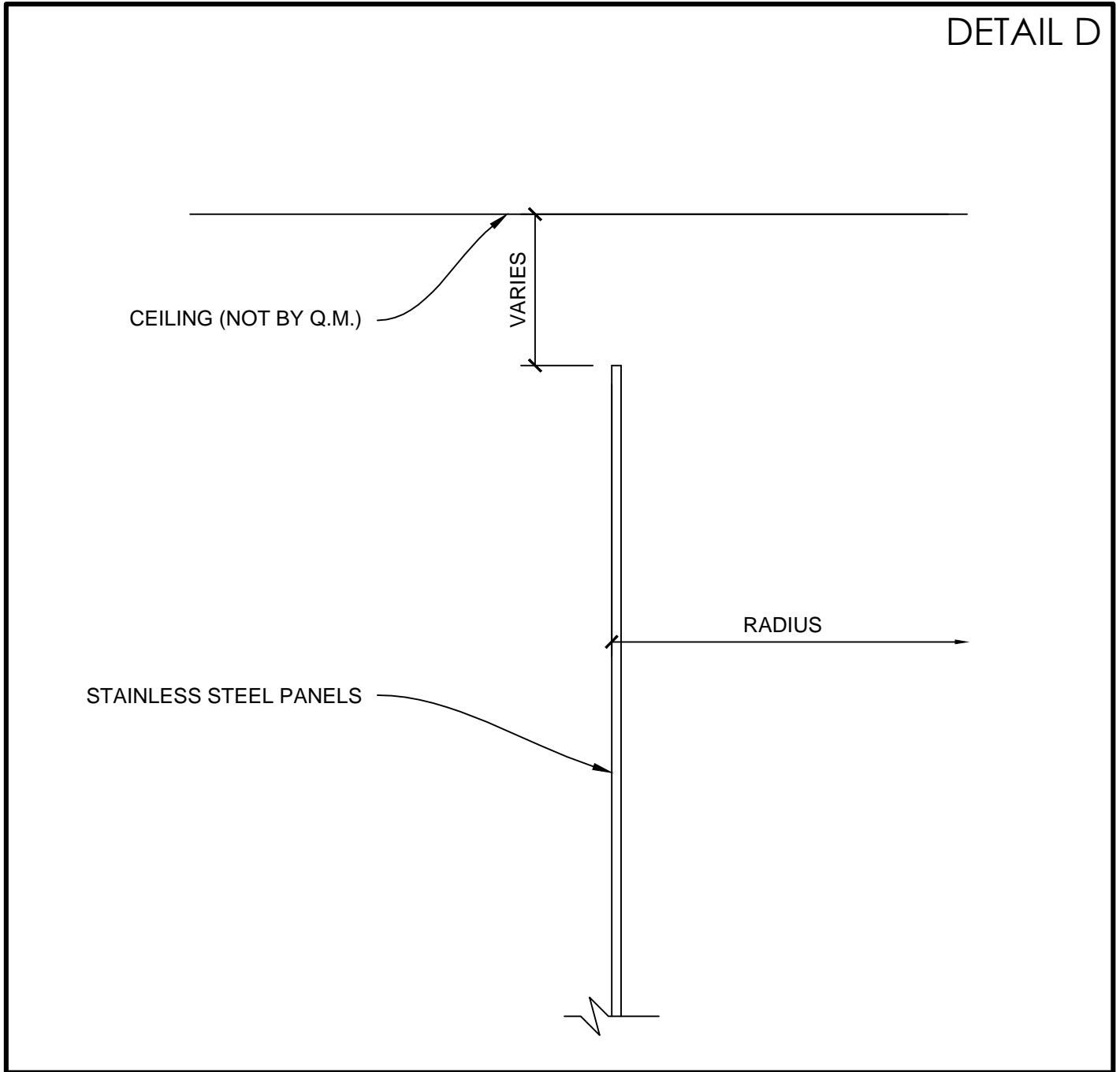
VERTICAL DETAIL (2)



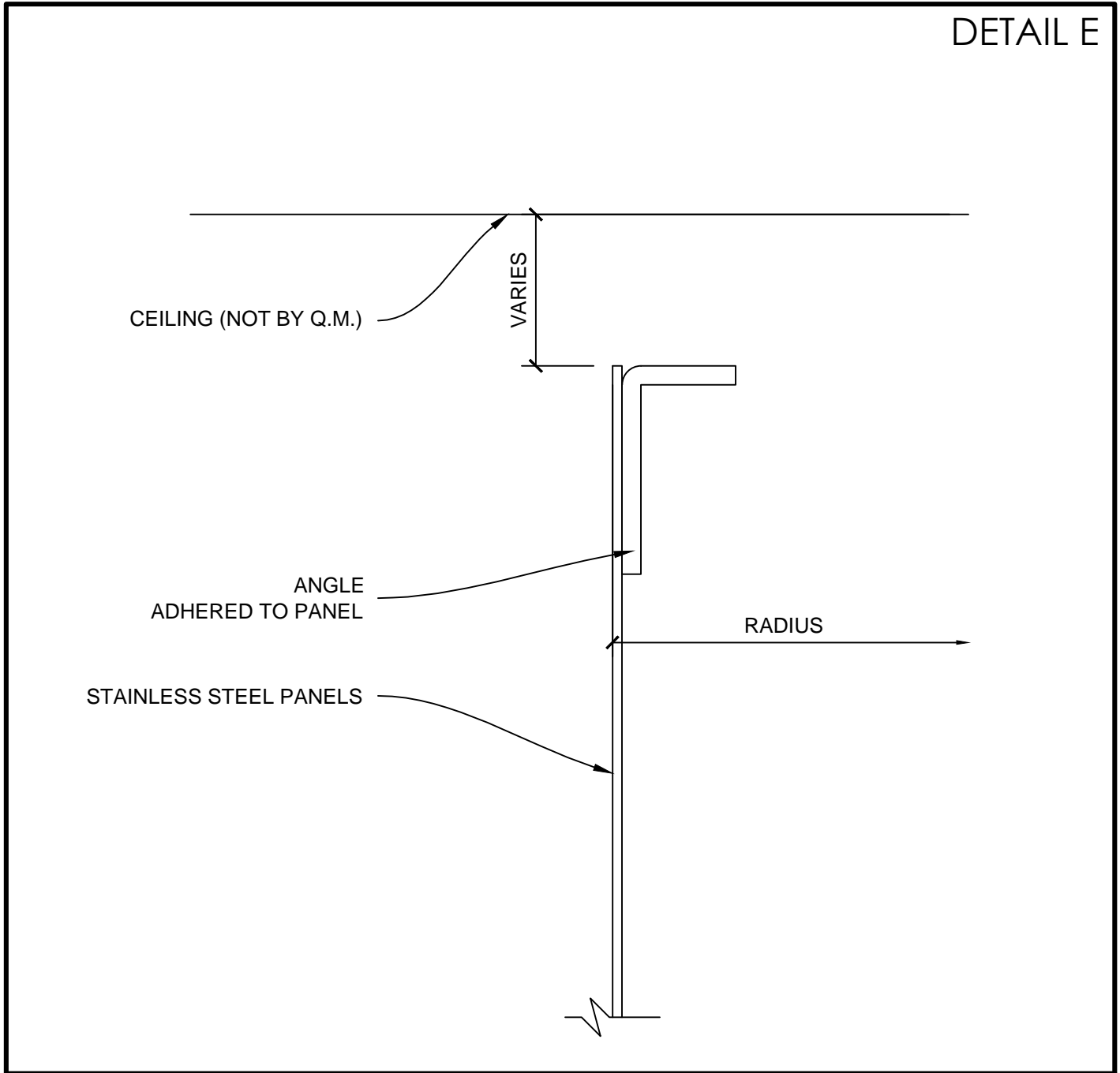


AC-10ST

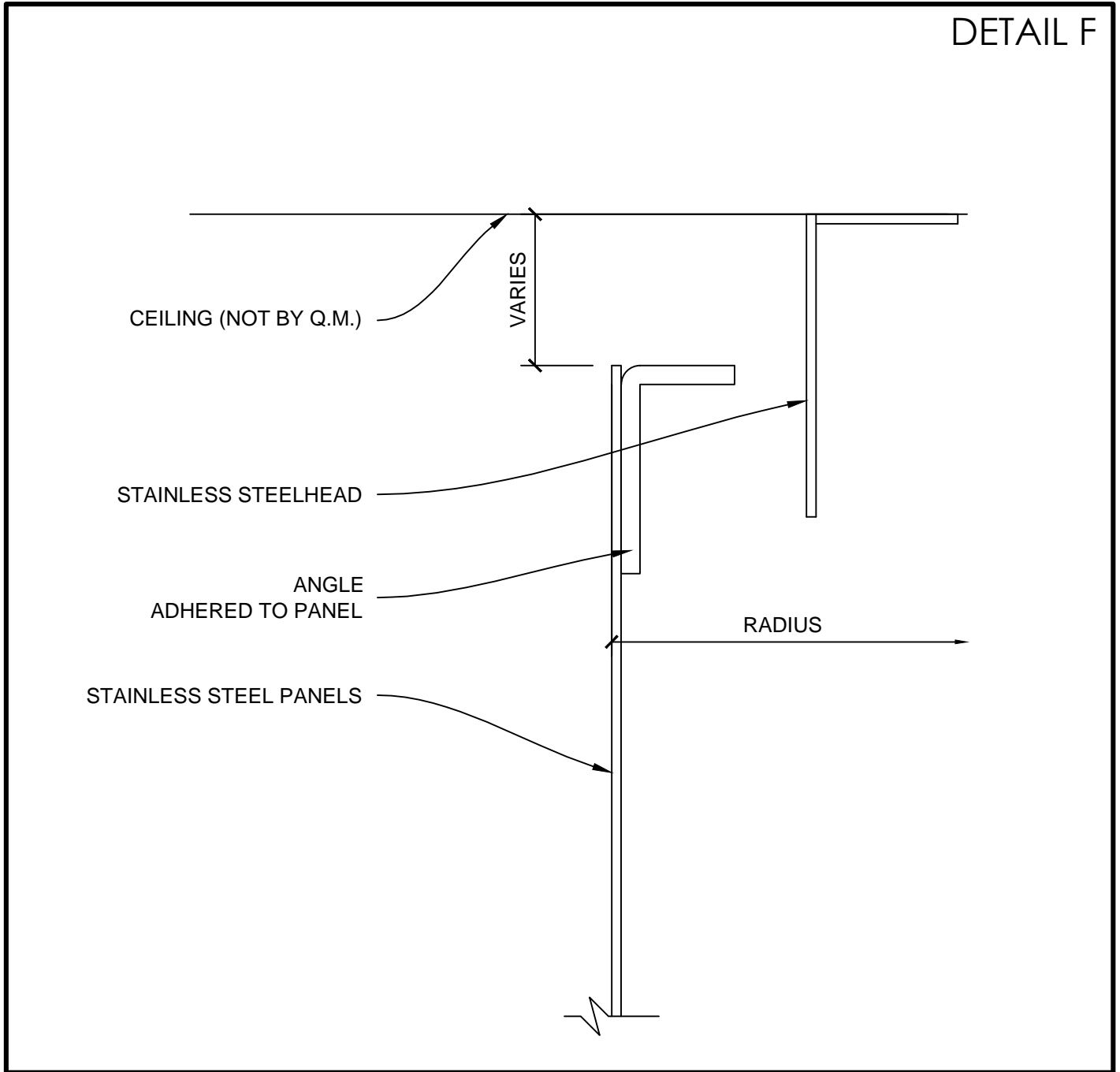
HEAD DETAIL (1)



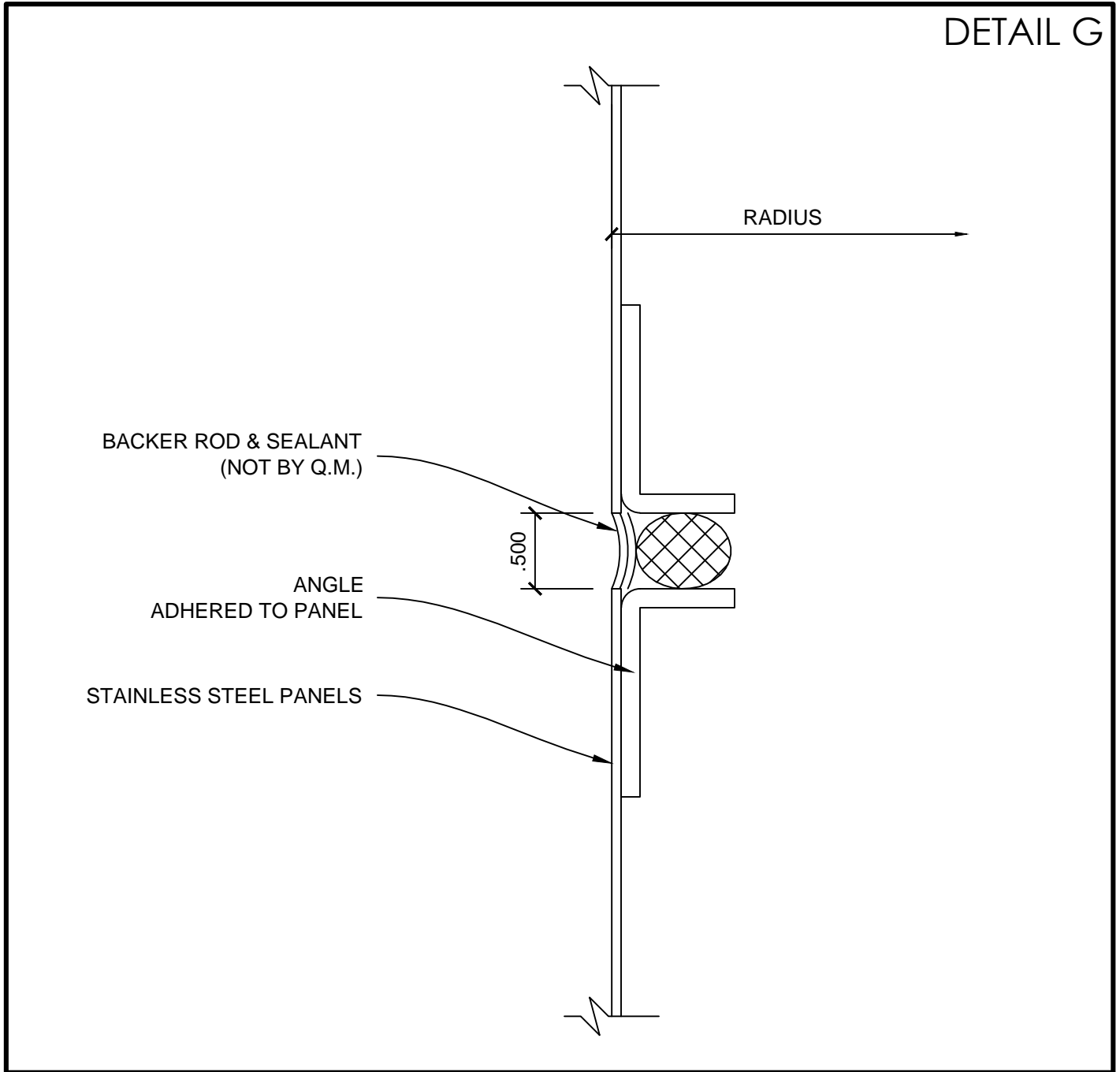
HEAD DETAIL (2)



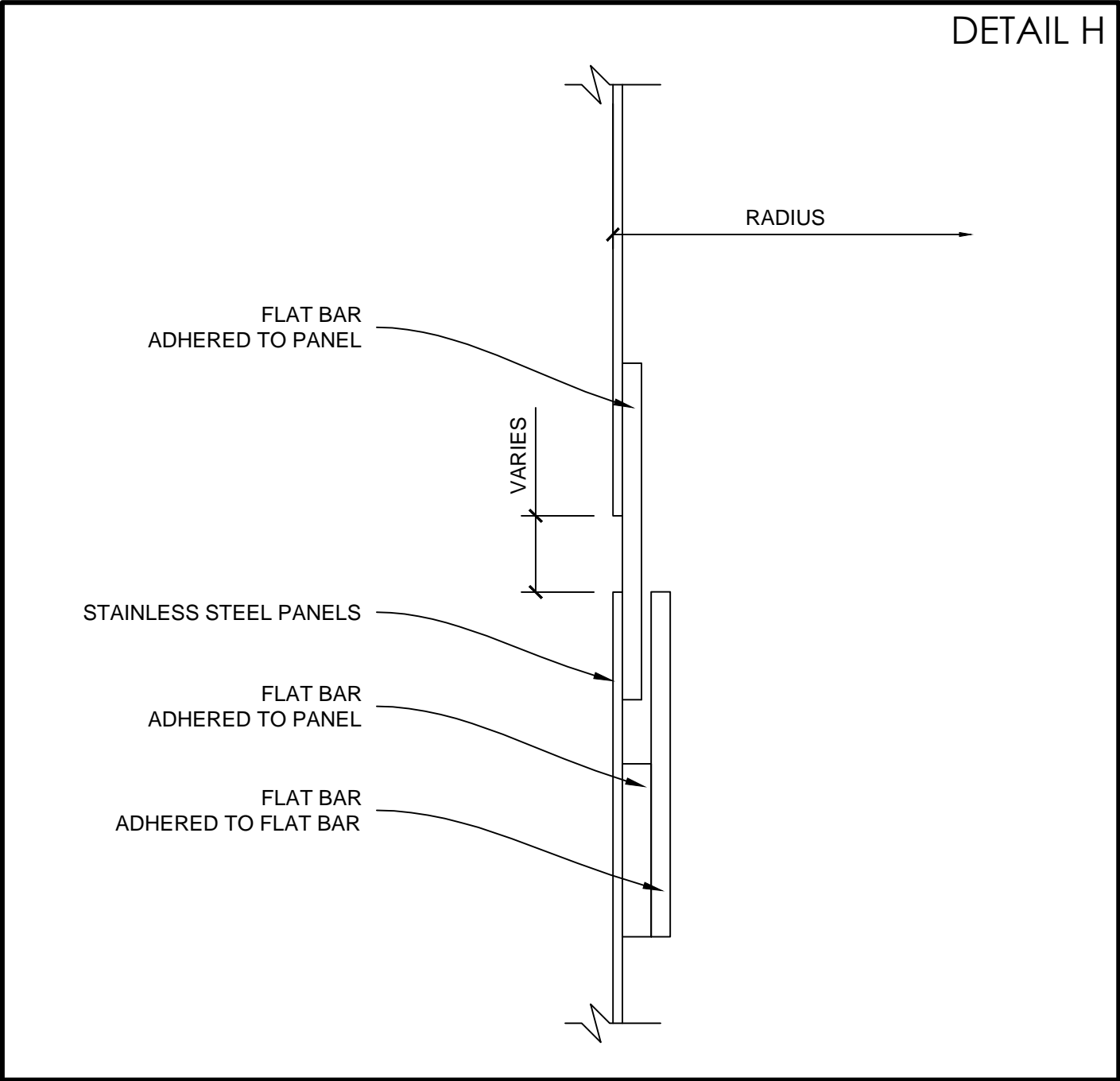
HEAD DETAIL (3)



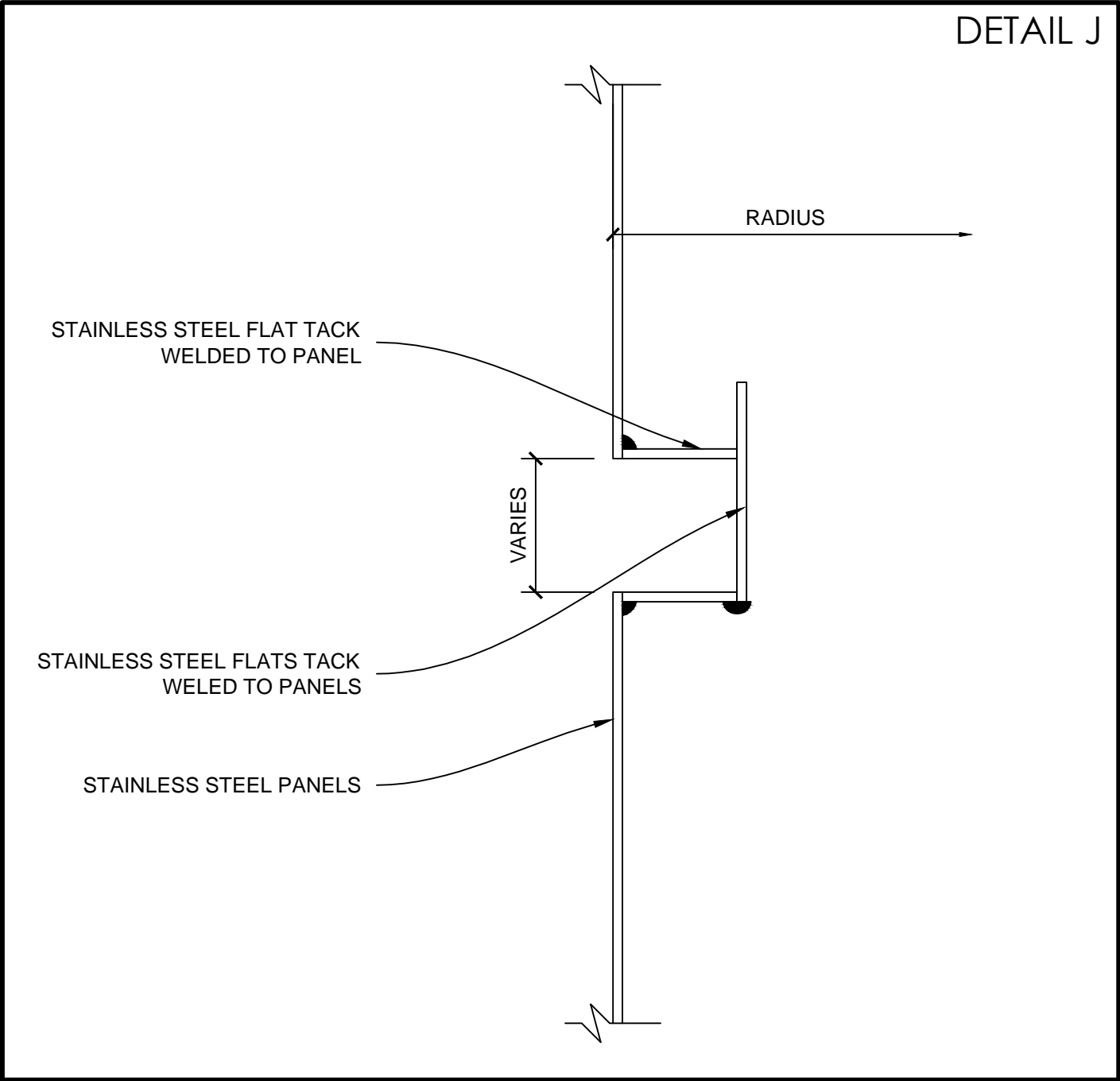
INTERMEDIATE DETAIL (1)



INTERMEDIATE DETAIL (2)



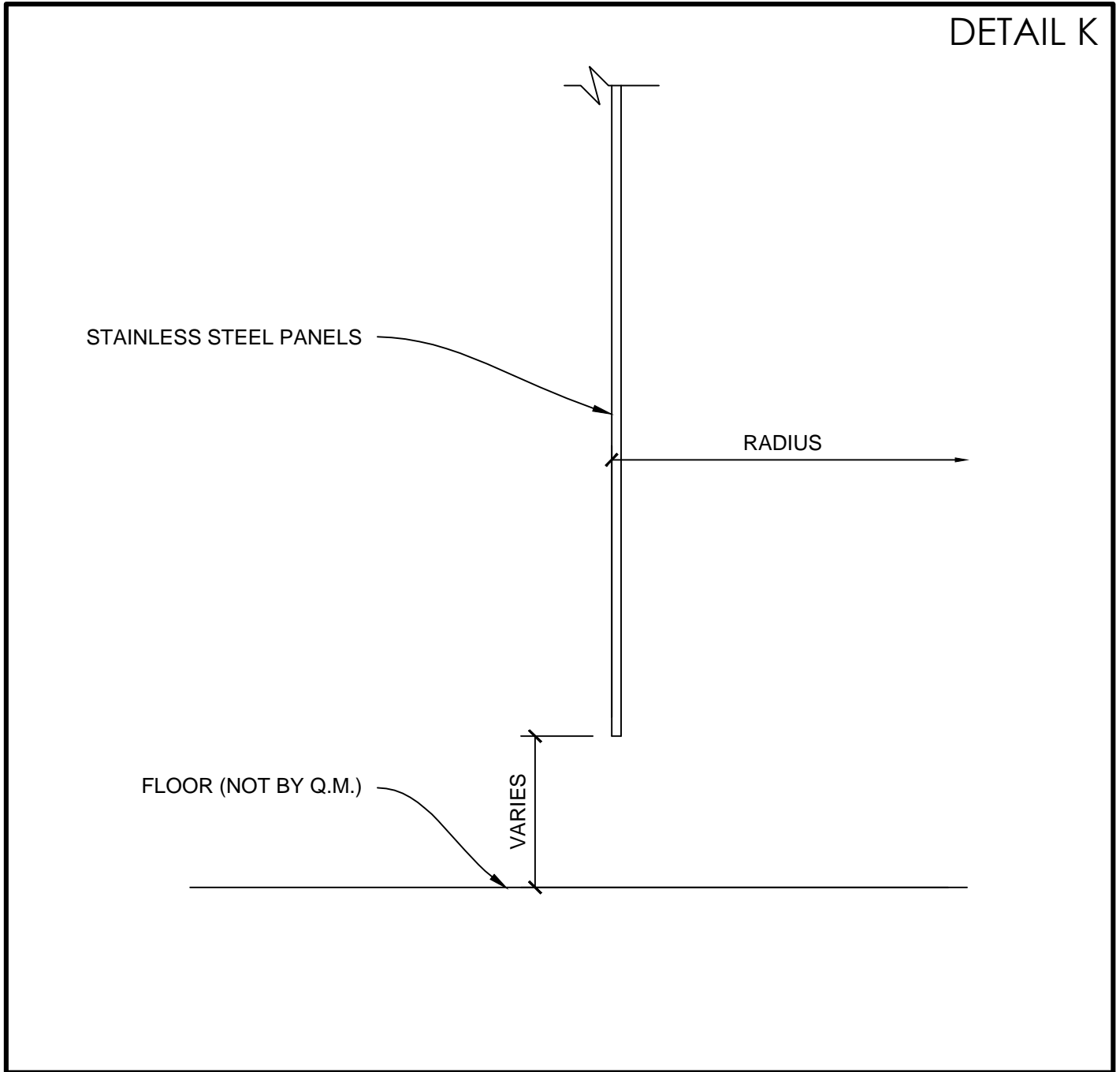
INTERMEDIATE DETAIL (3)





AC-10ST

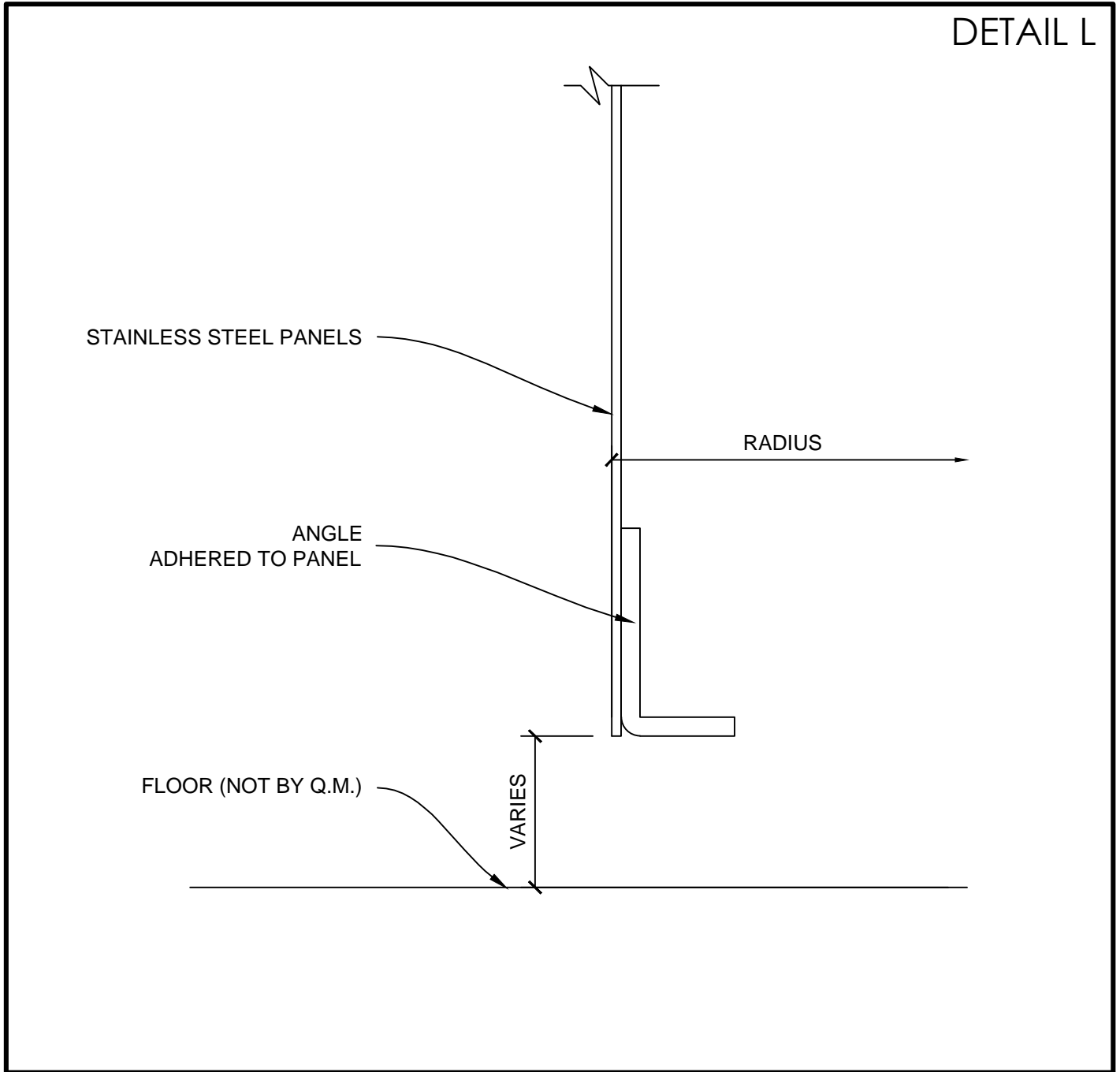
BASE DETAIL (1)



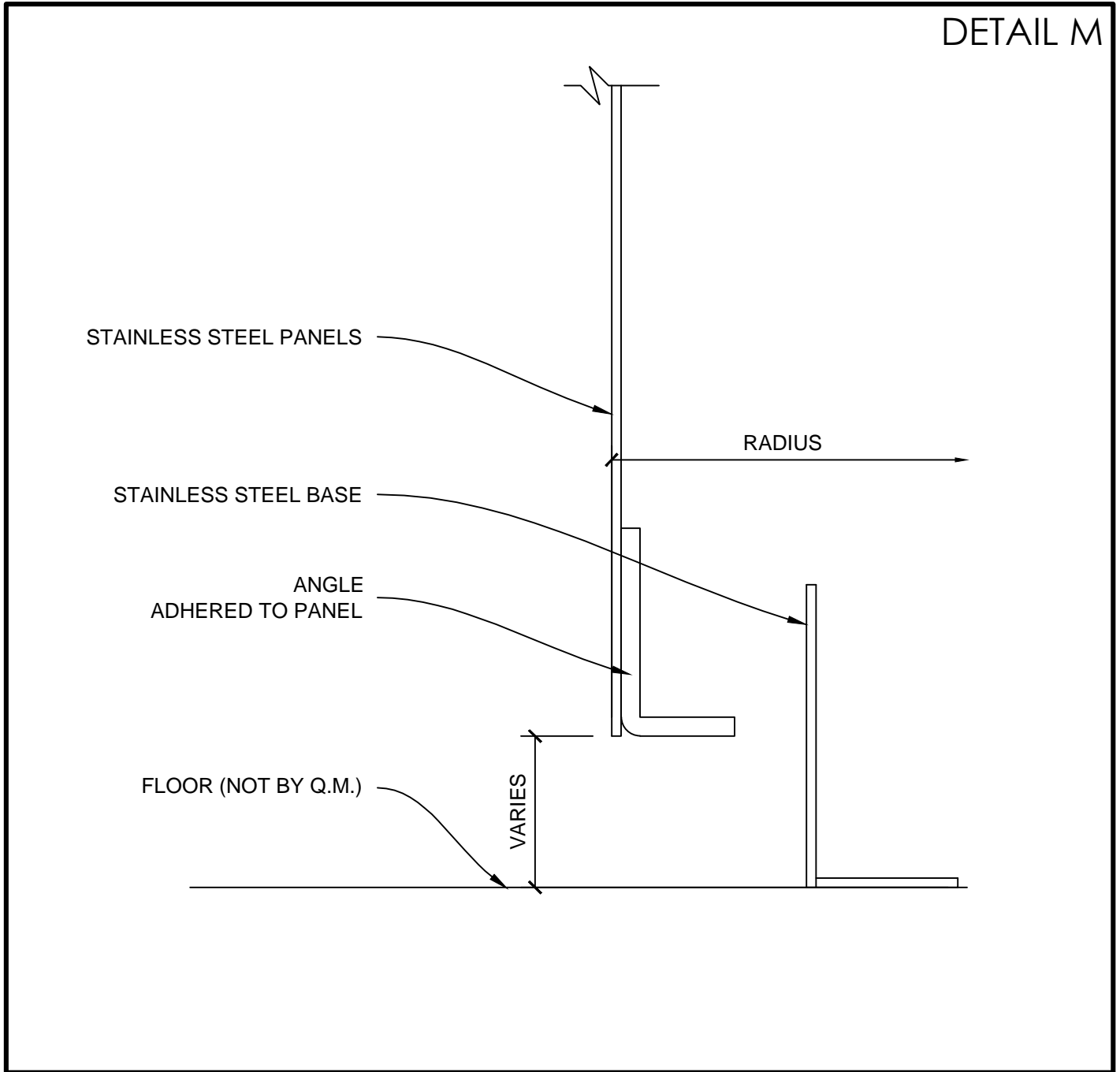


AC-10ST

BASE DETAIL (2)

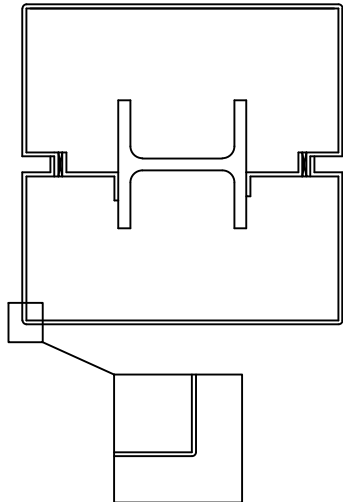


BASE DETAIL (3)

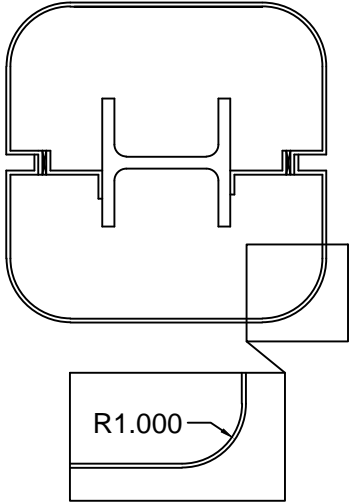


ISOMETRIC

DETAIL N

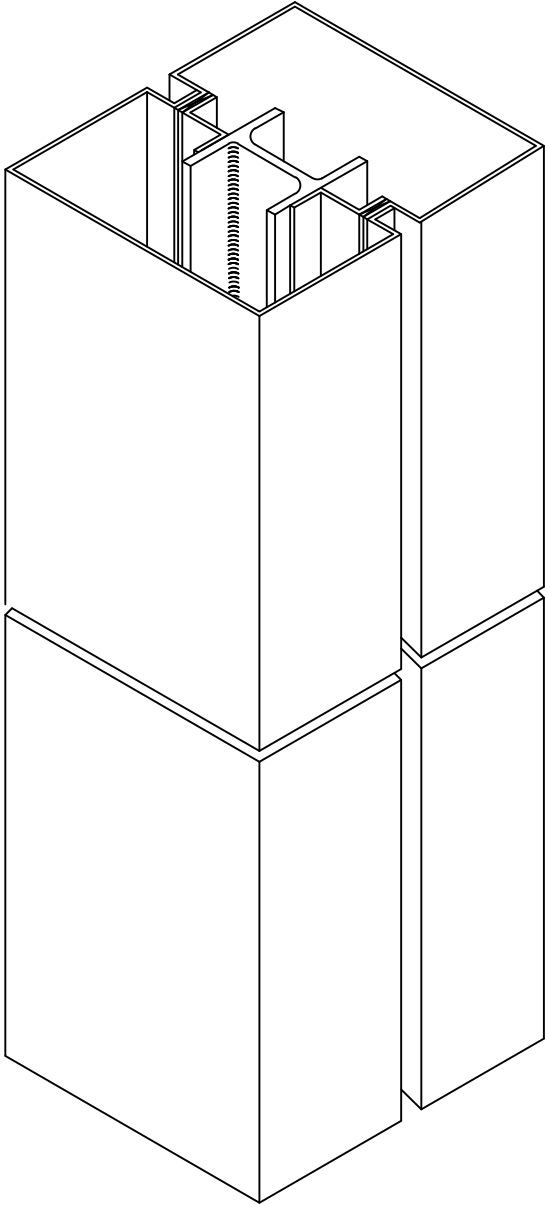


SQUARE CORNER

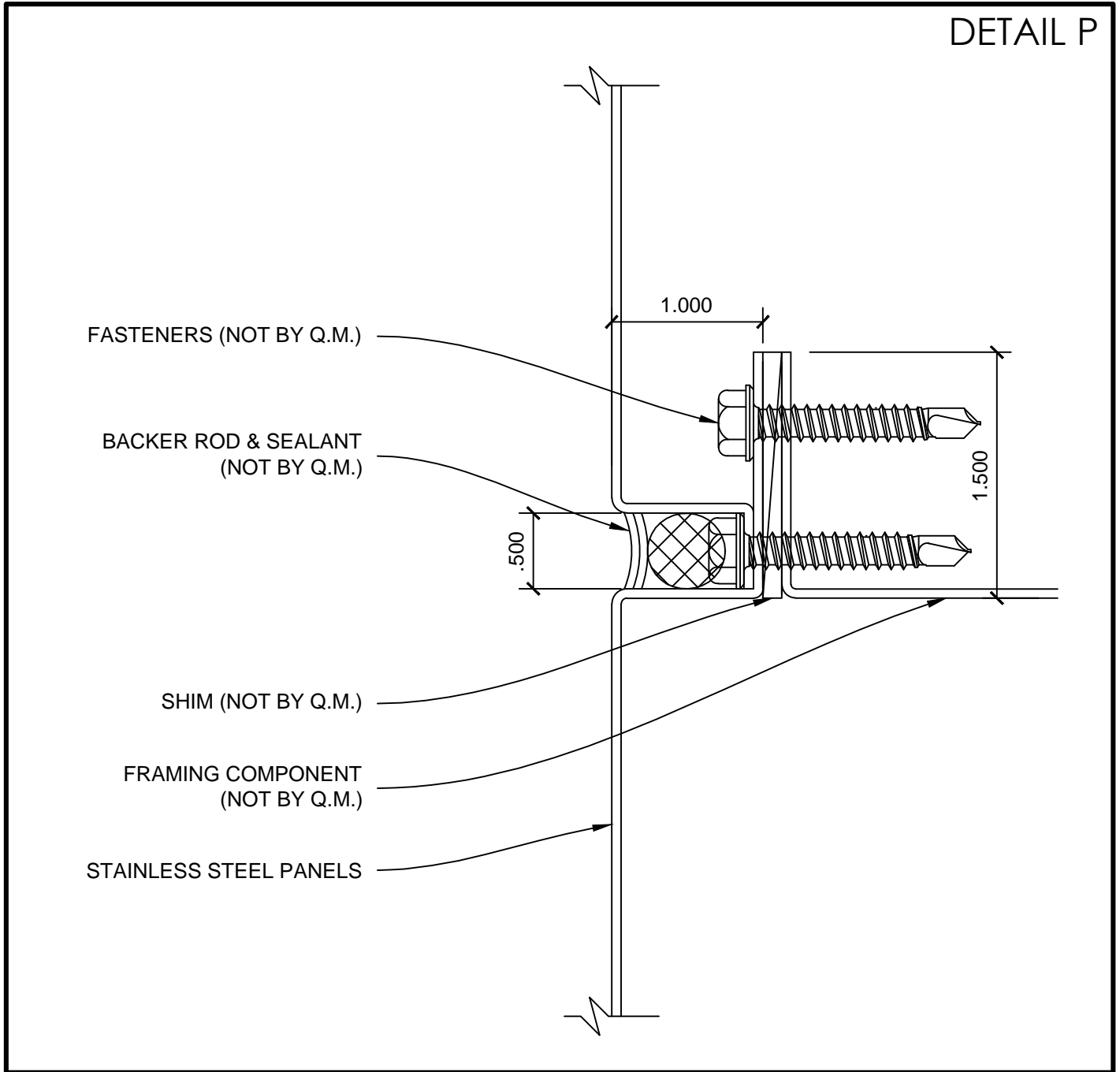


R1.000

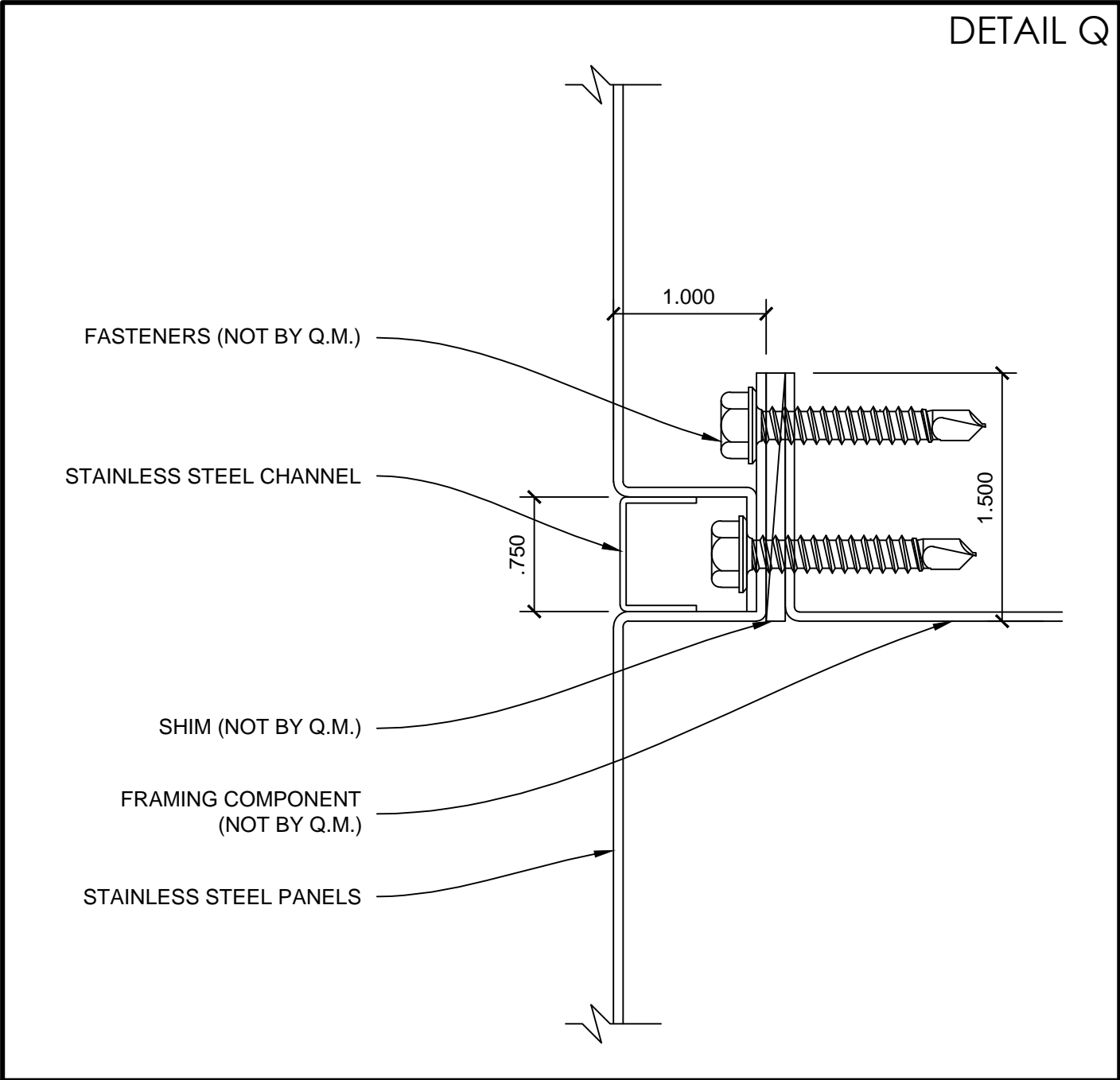
RADIUSED CORNER



VERTICAL DETAIL (1)



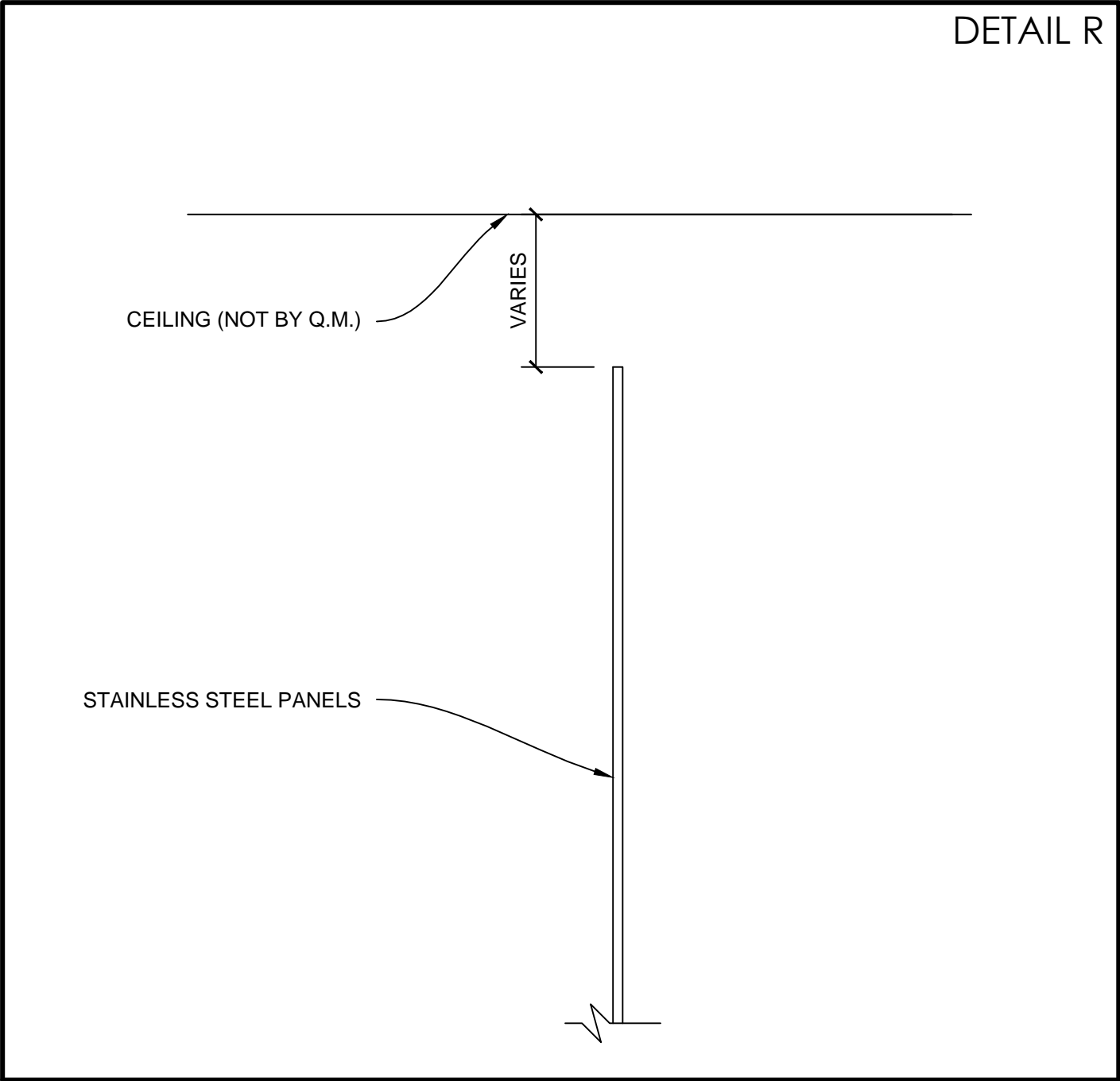
VERTICAL DETAIL (2)





AC-10ST

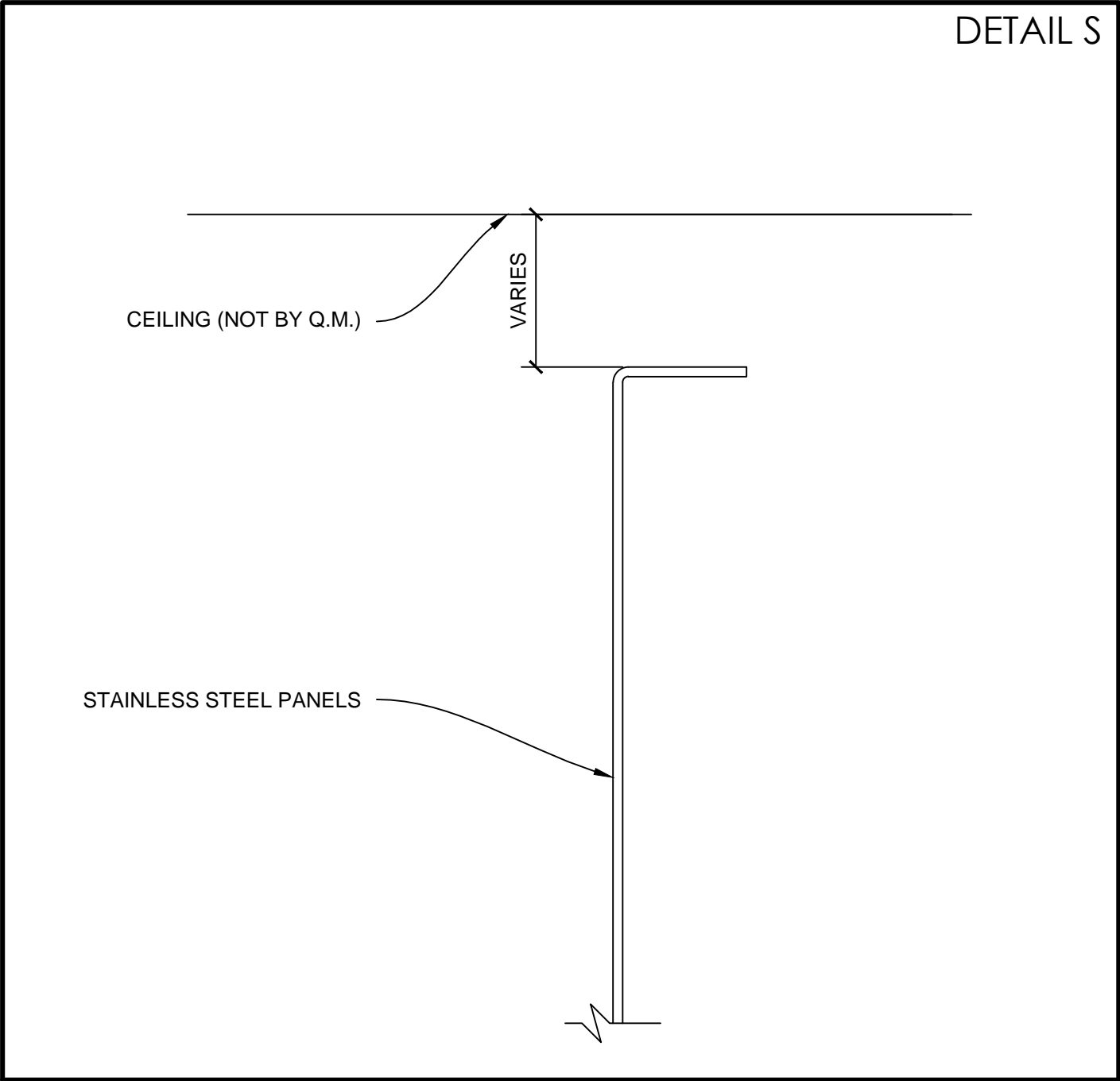
HEAD DETAIL (1)





AC-10ST

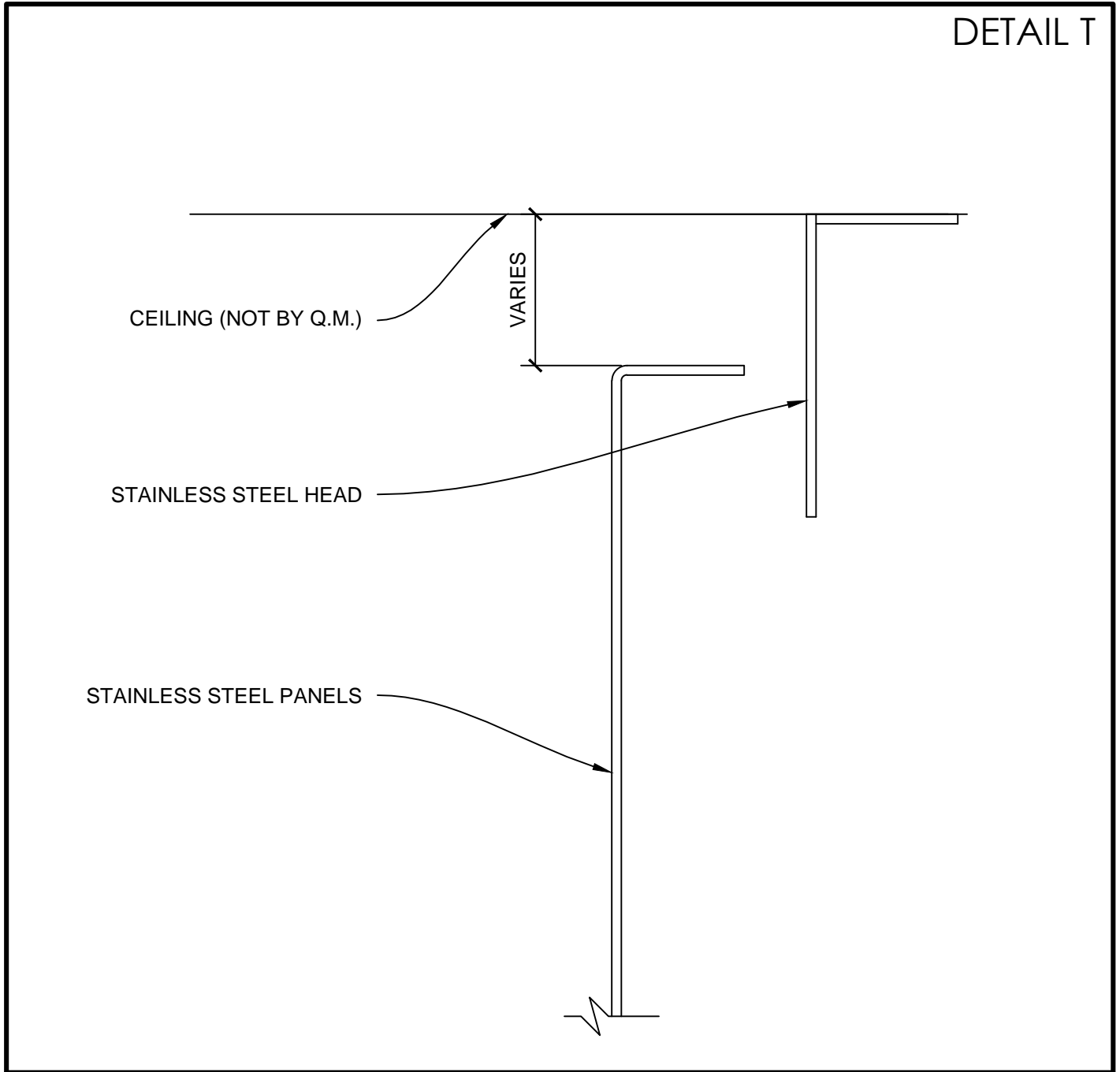
HEAD DETAIL (2)





AC-10ST

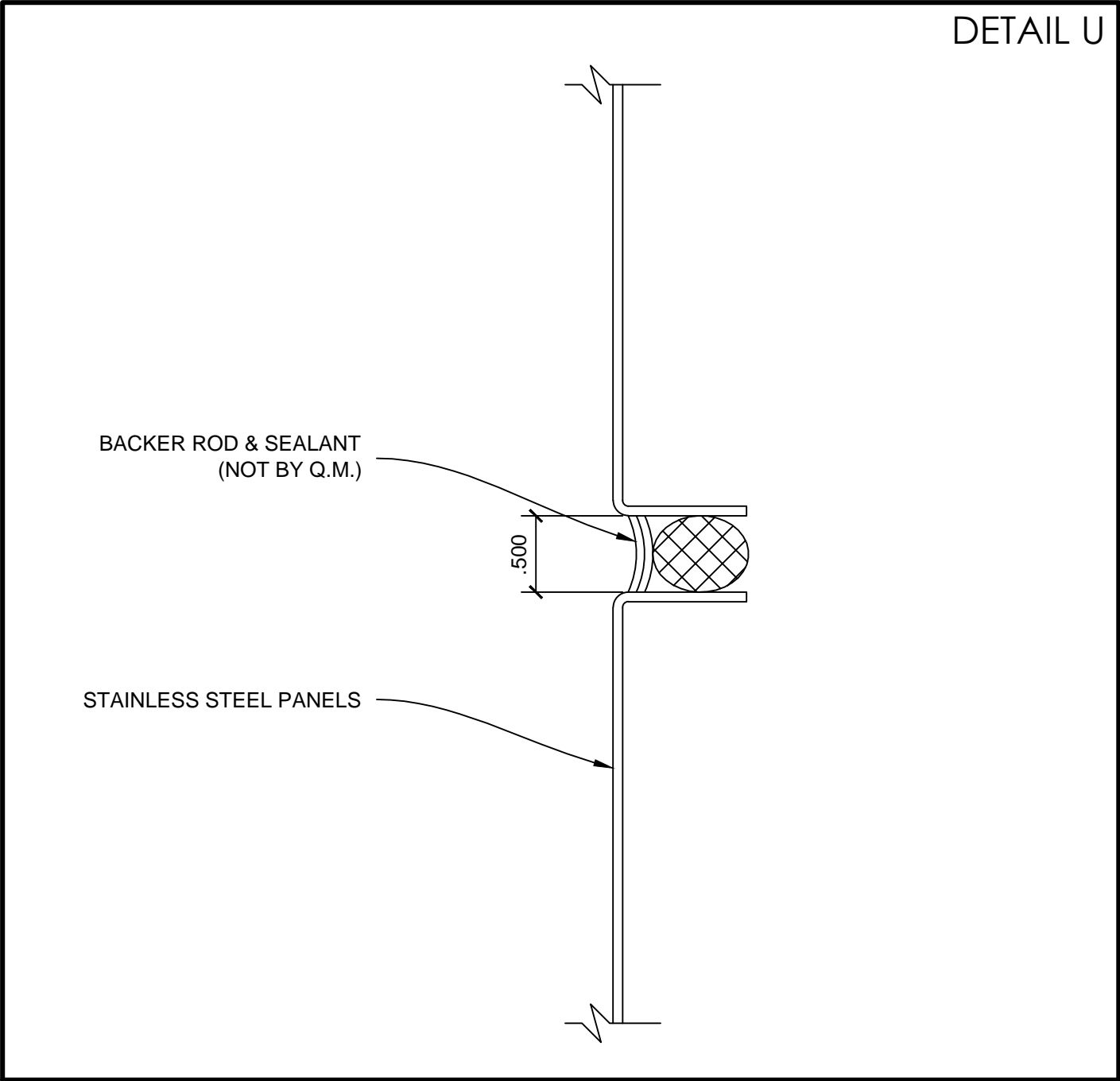
HEAD DETAIL (3)



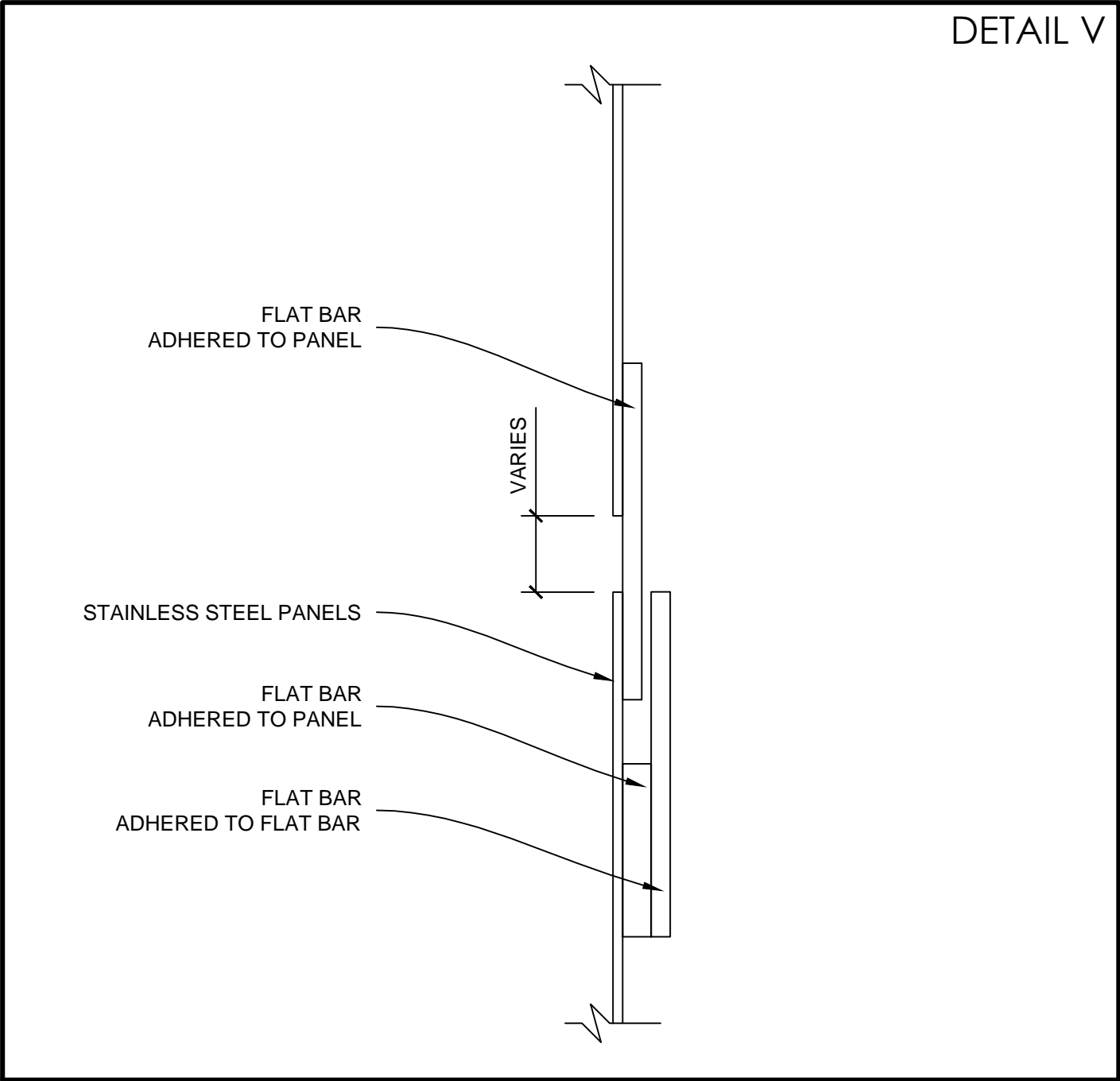


AC-10ST

INTERMEDIATE DETAIL (1)



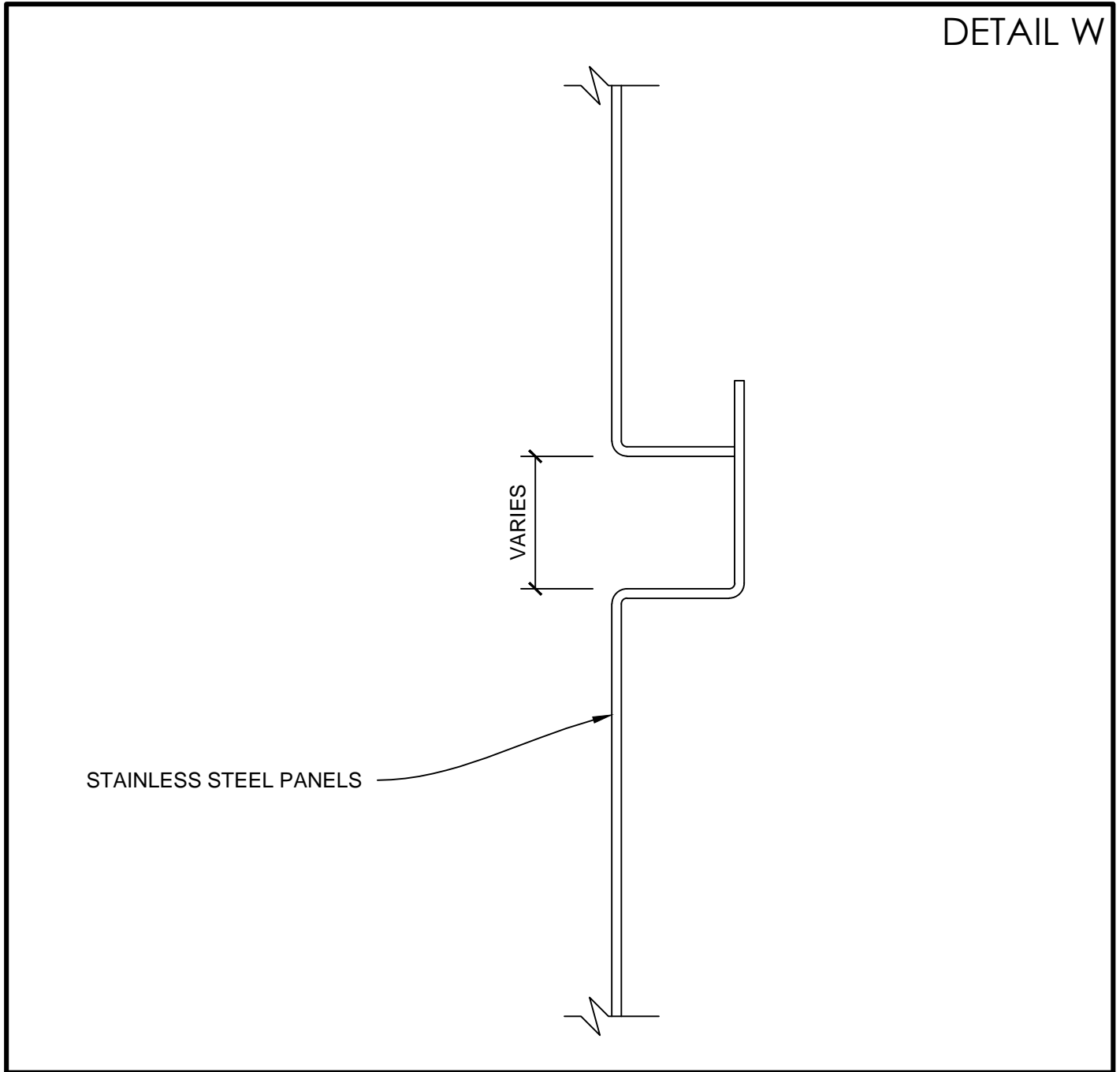
INTERMEDIATE DETAIL (2)





AC-10ST

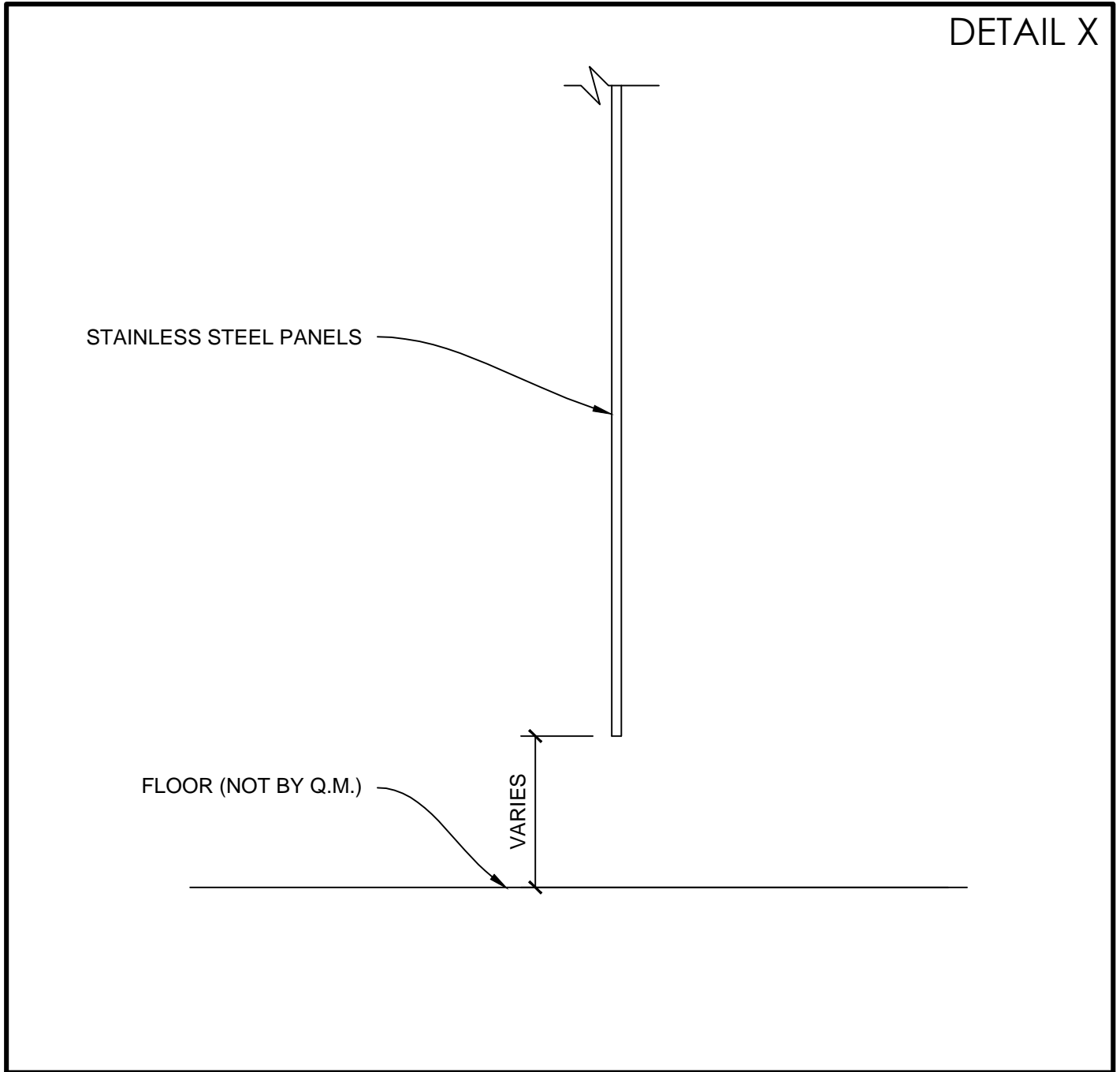
INTERMEDIATE DETAIL (3)





AC-10ST

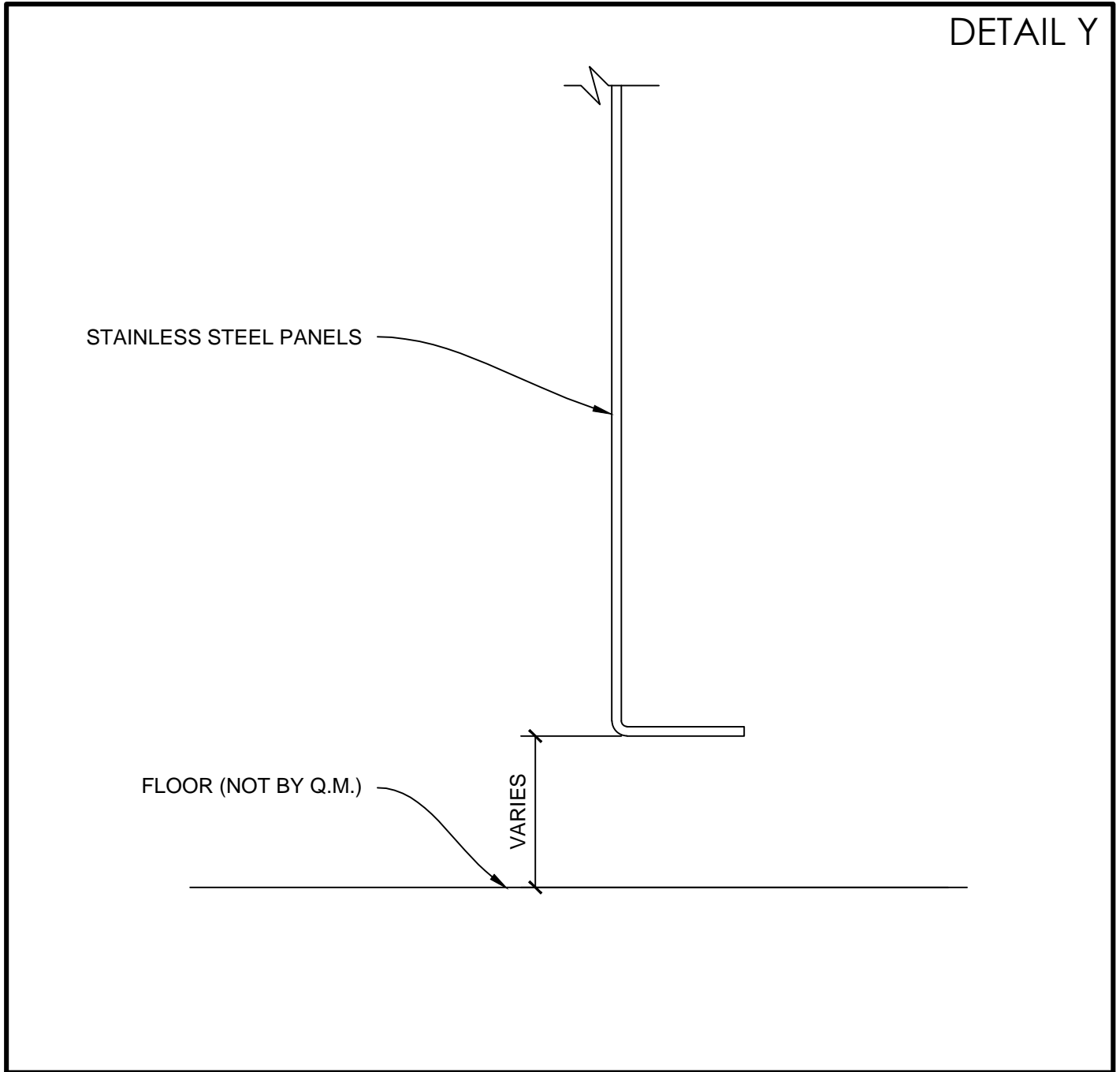
BASE DETAIL (1)





AC-10ST

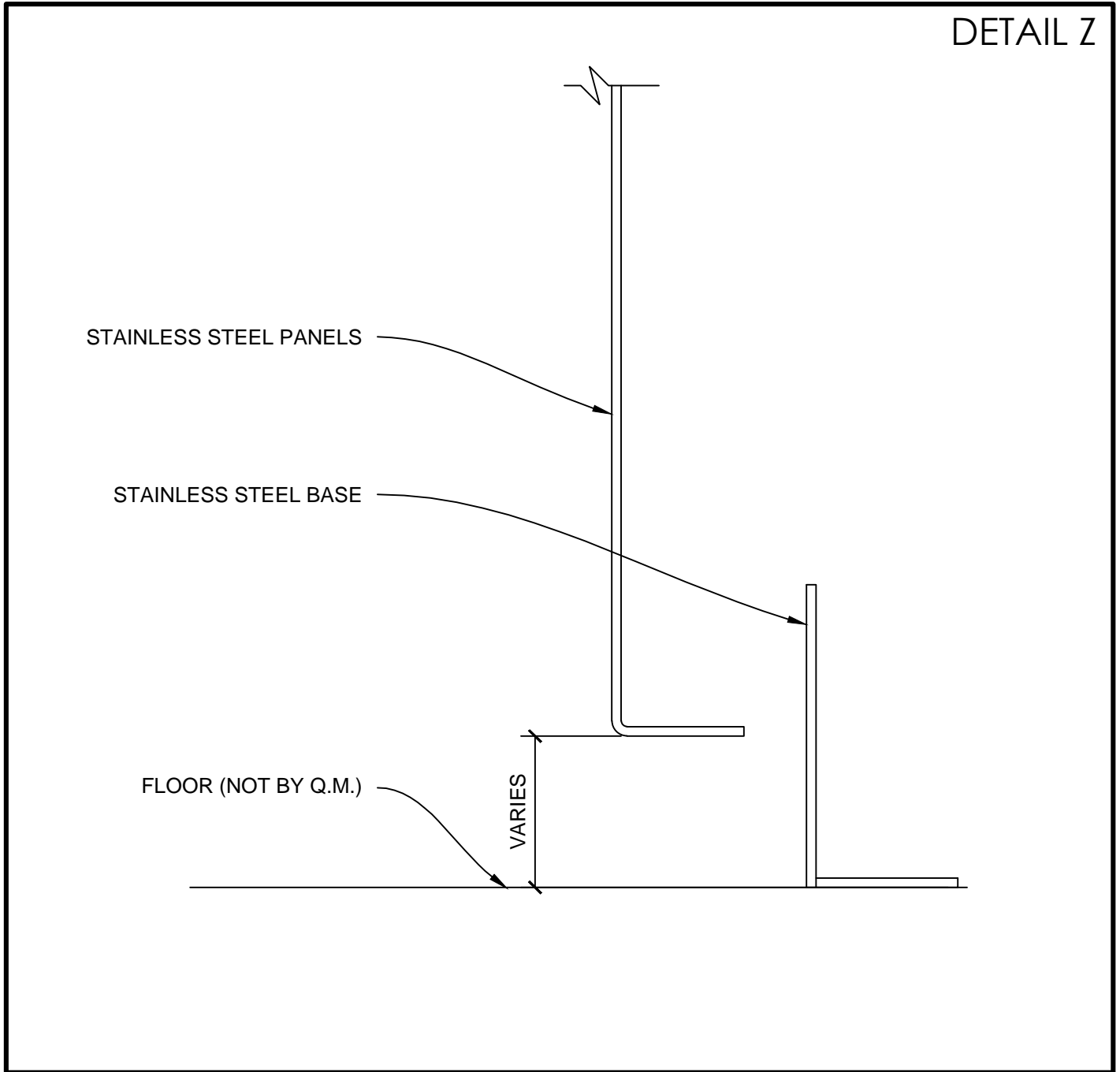
BASE DETAIL (2)





AC-10ST

BASE DETAIL (3)



STAINLESS STEEL COLUMN COVER (REVEAL JOINT)
INSTALLATION GUIDE

