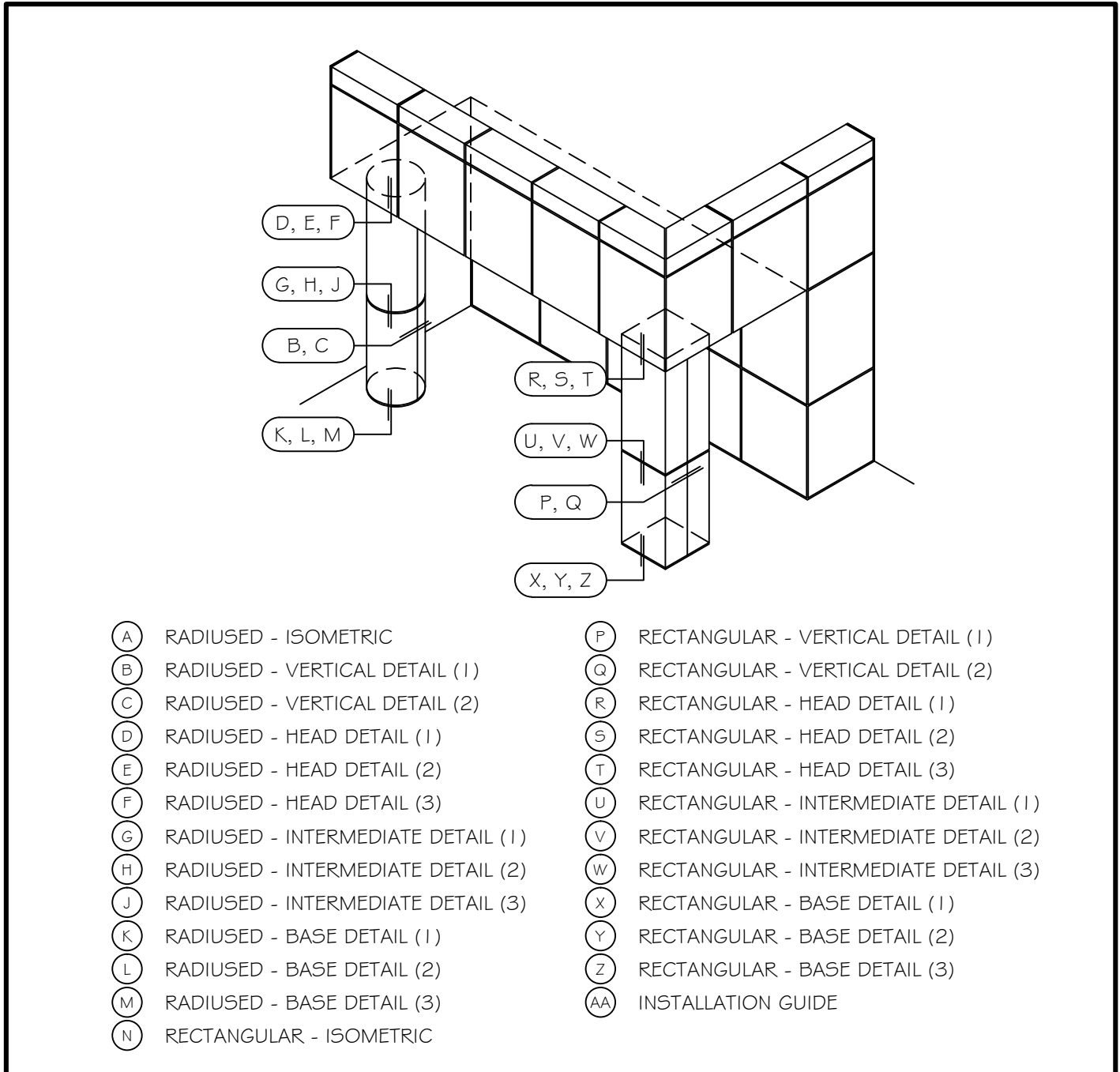


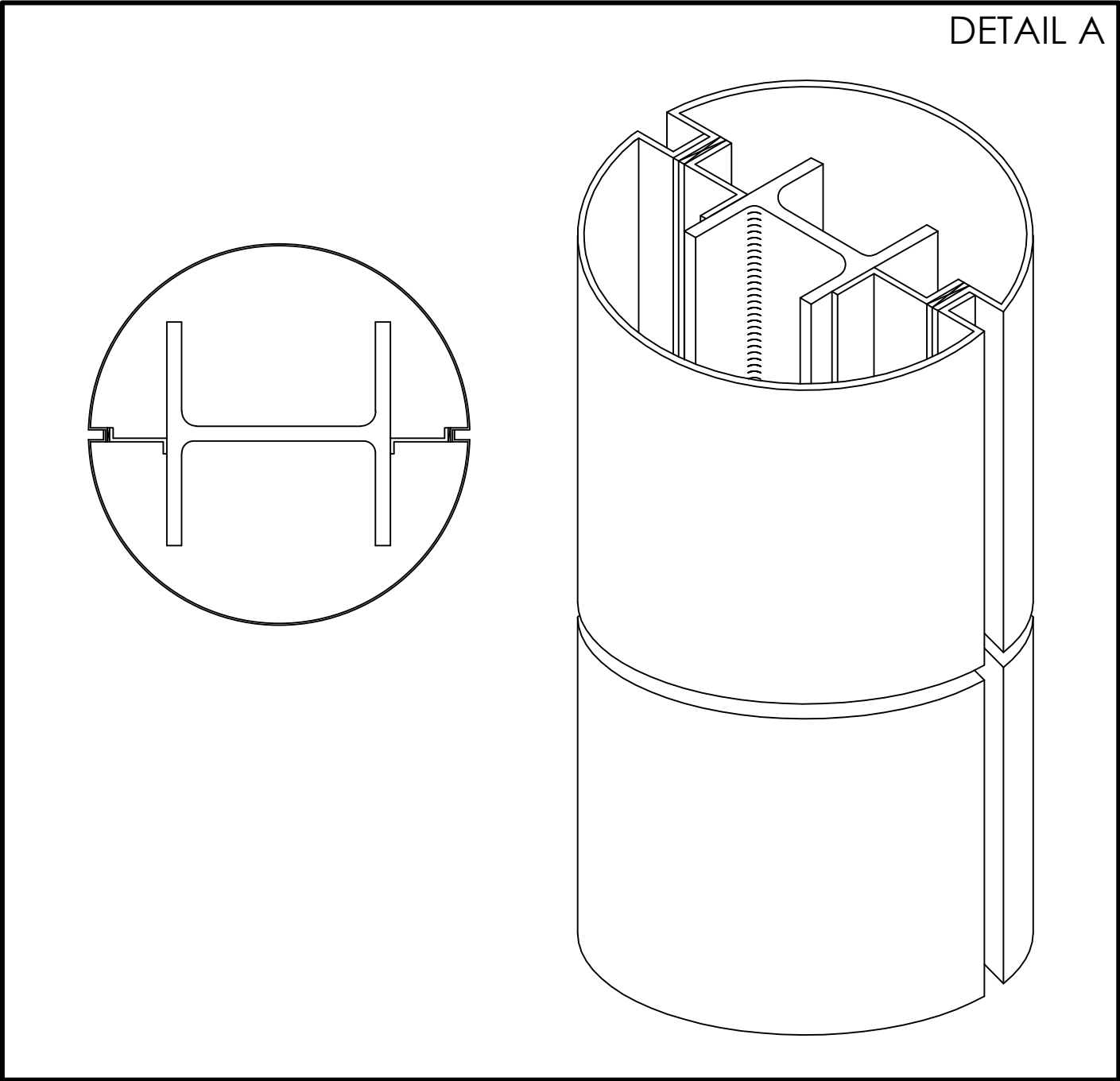
ALUMINUM PLATE COLUMN COVER (REVEAL JOINT)



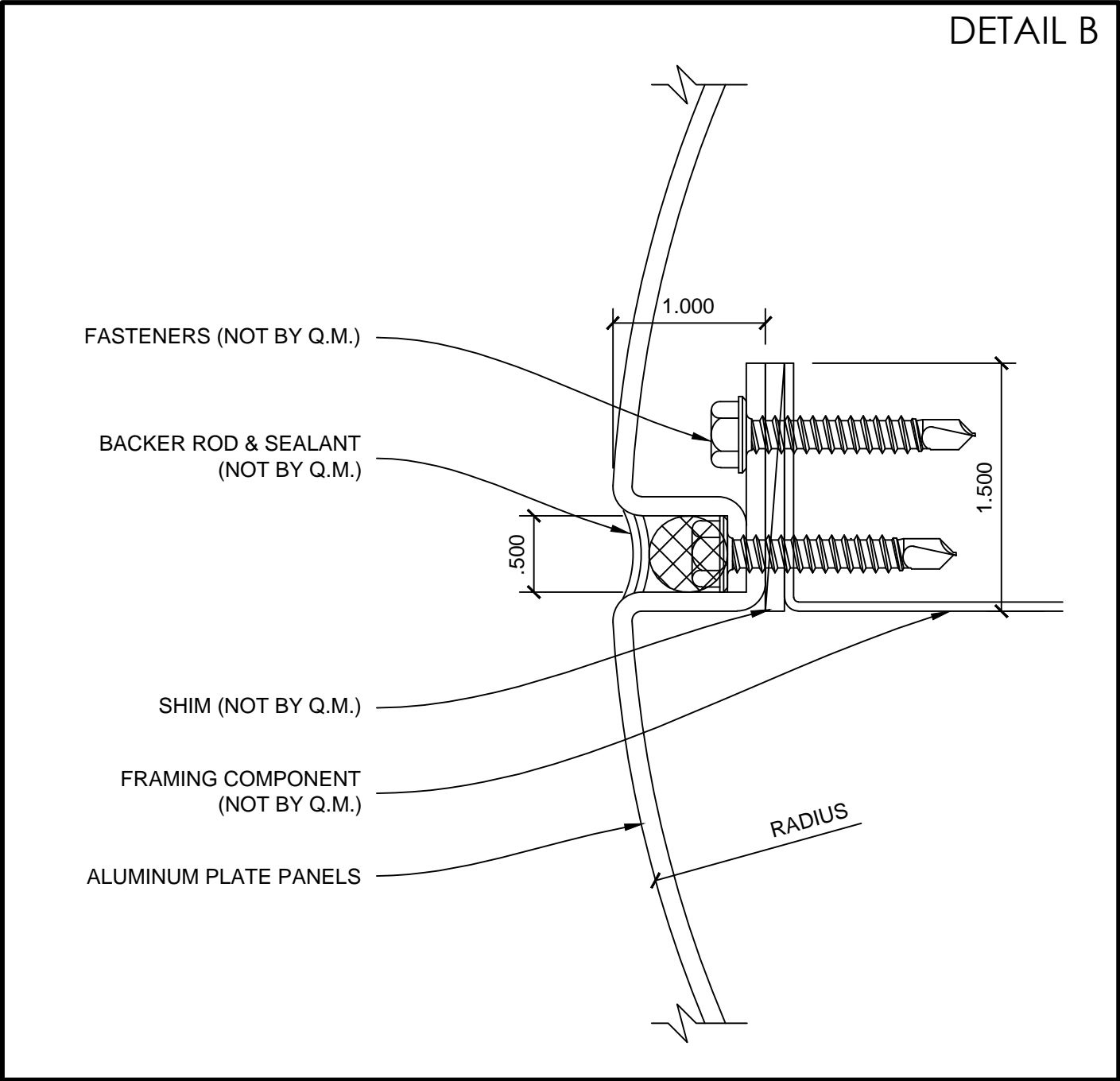


AC-10P

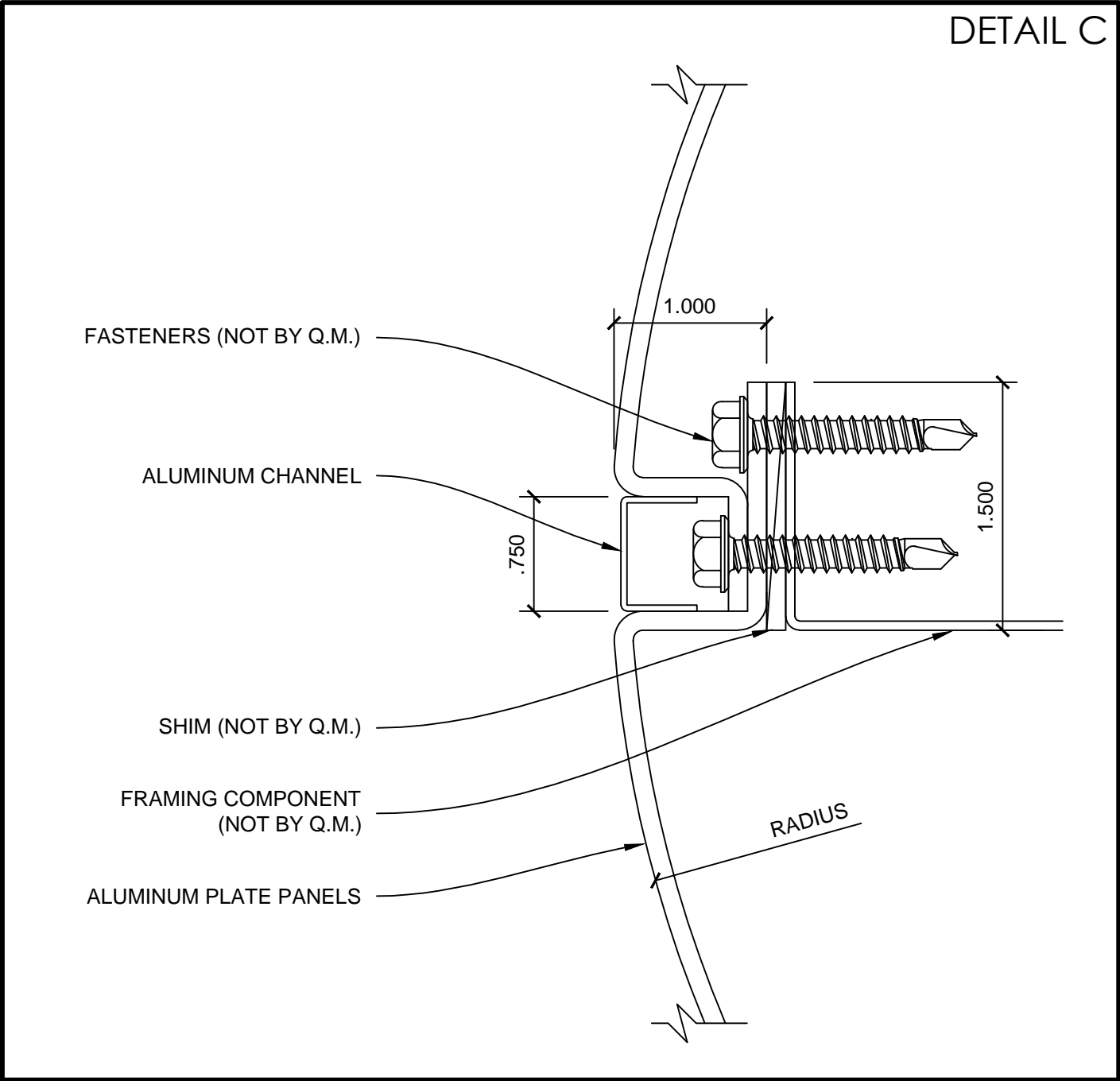
ISOMETRIC



VERTICAL DETAIL (1)



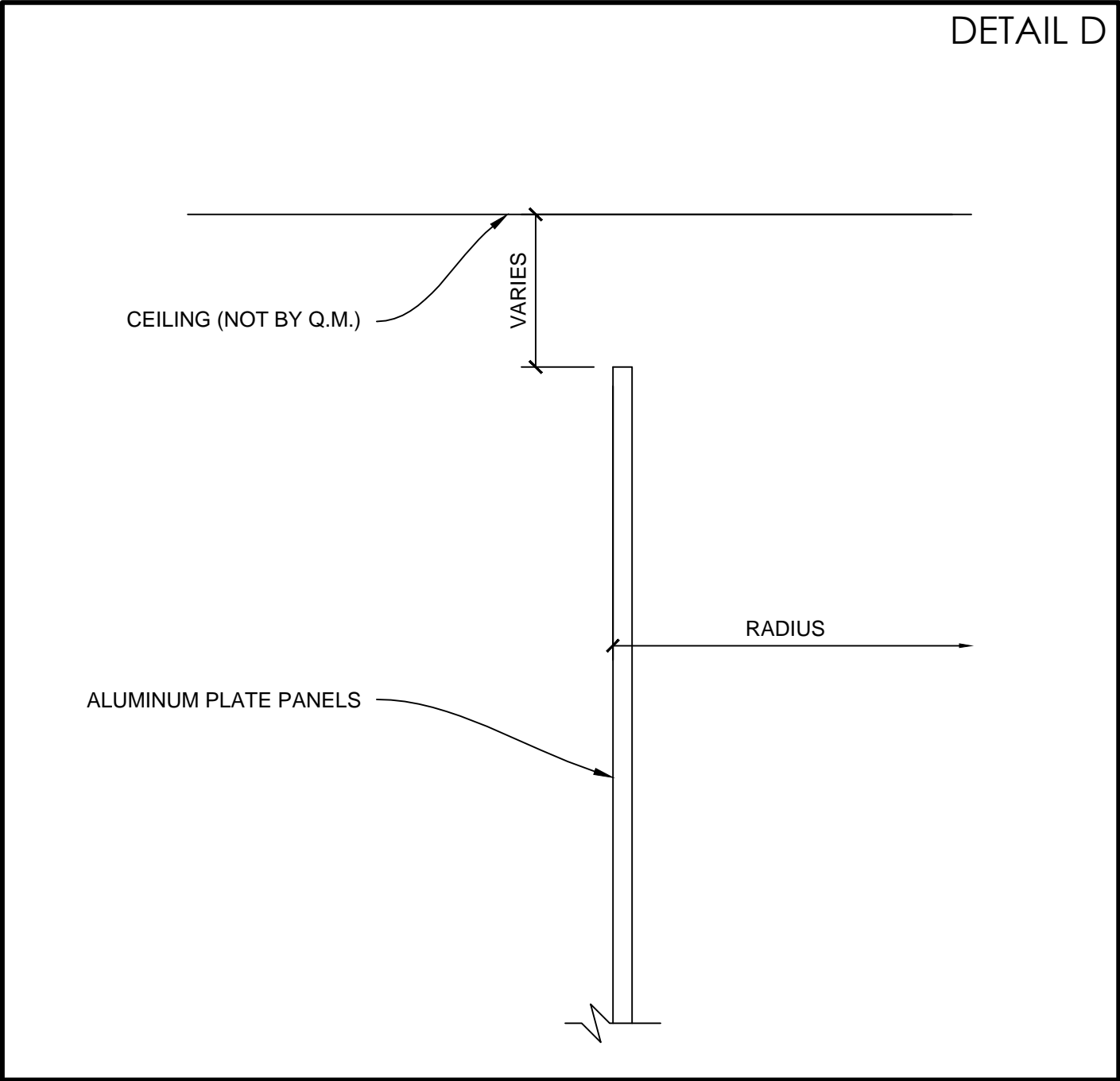
VERTICAL DETAIL (2)





AC-10P

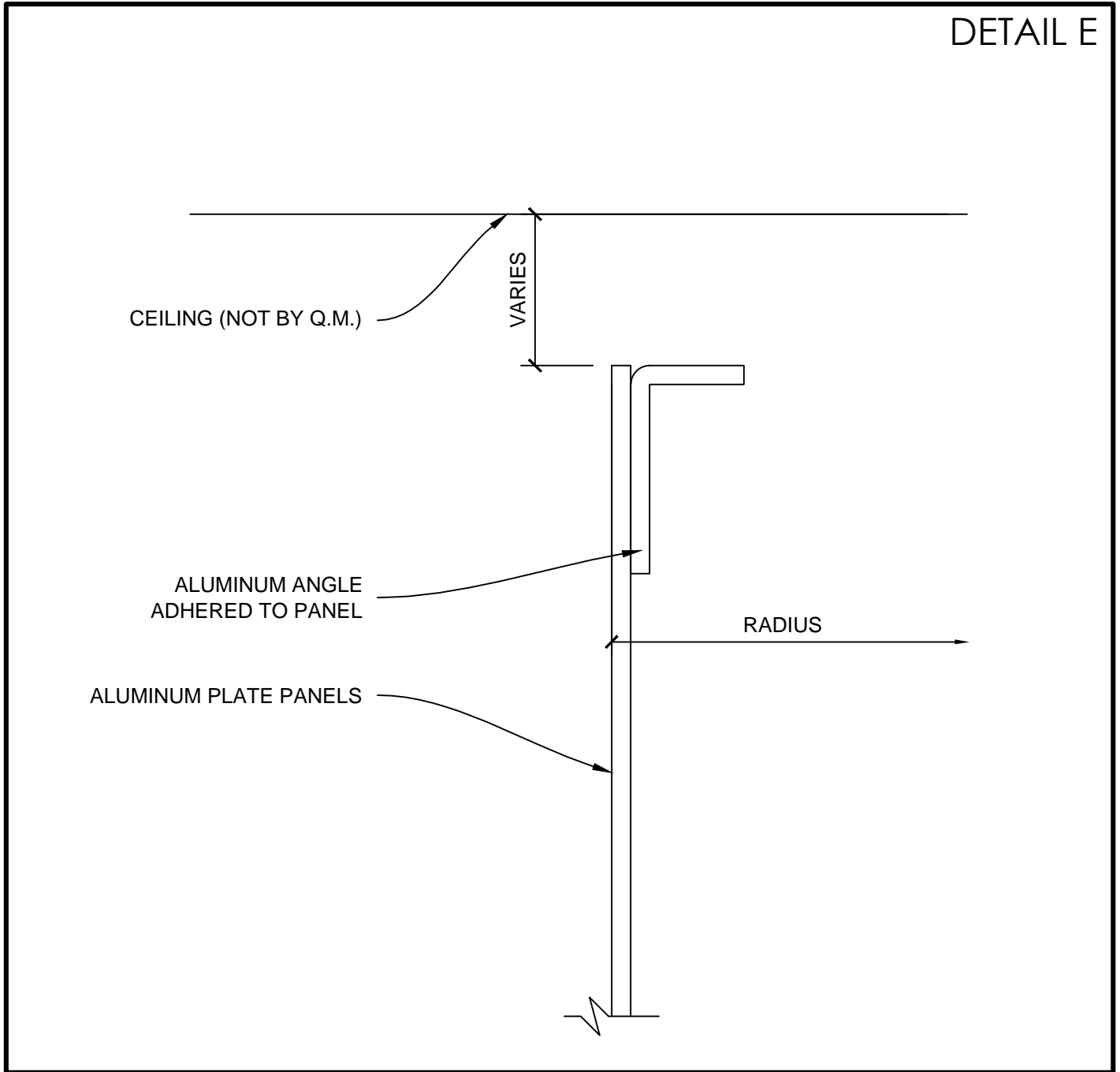
HEAD DETAIL (1)





AC-10P

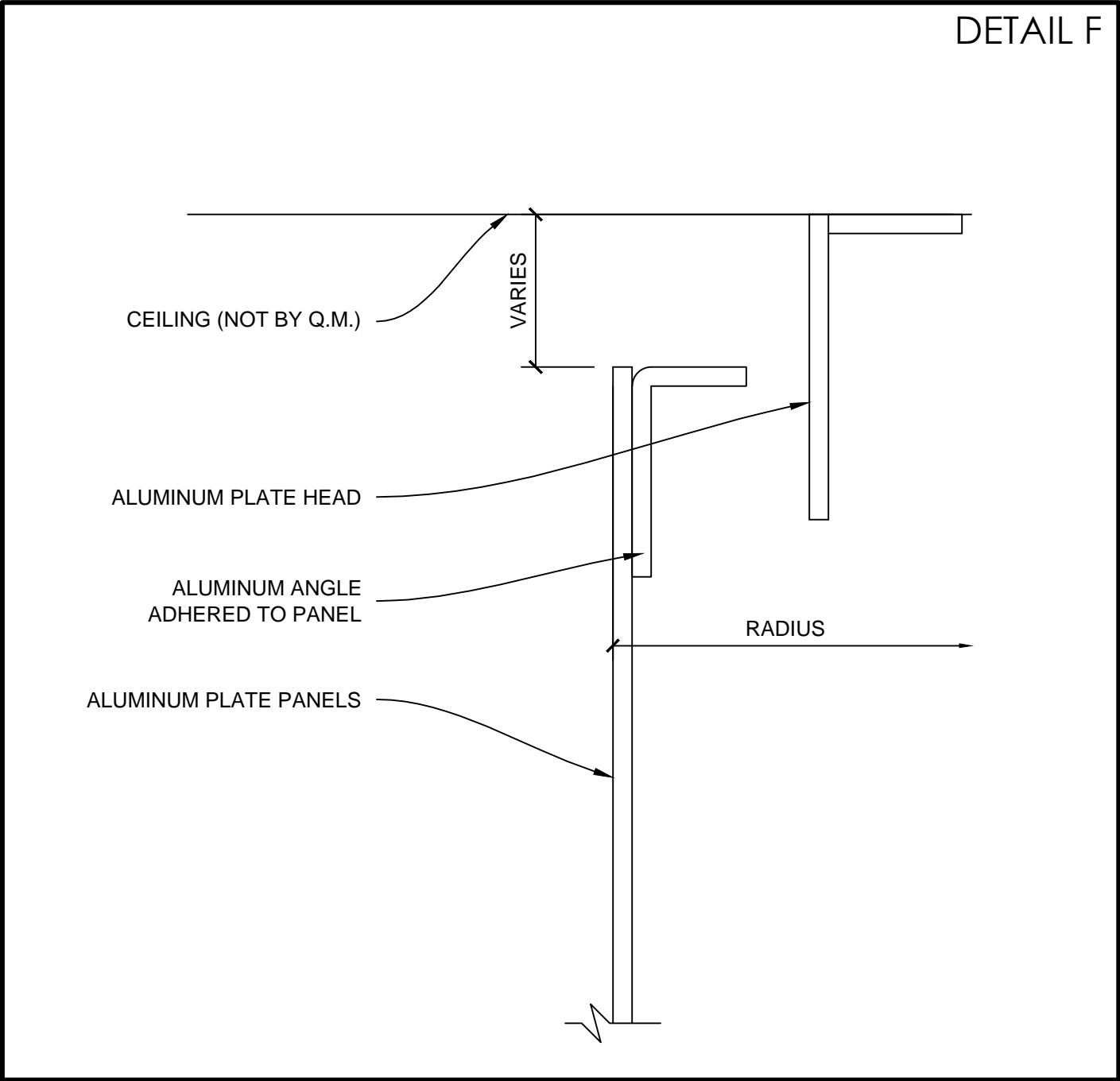
HEAD DETAIL (2)



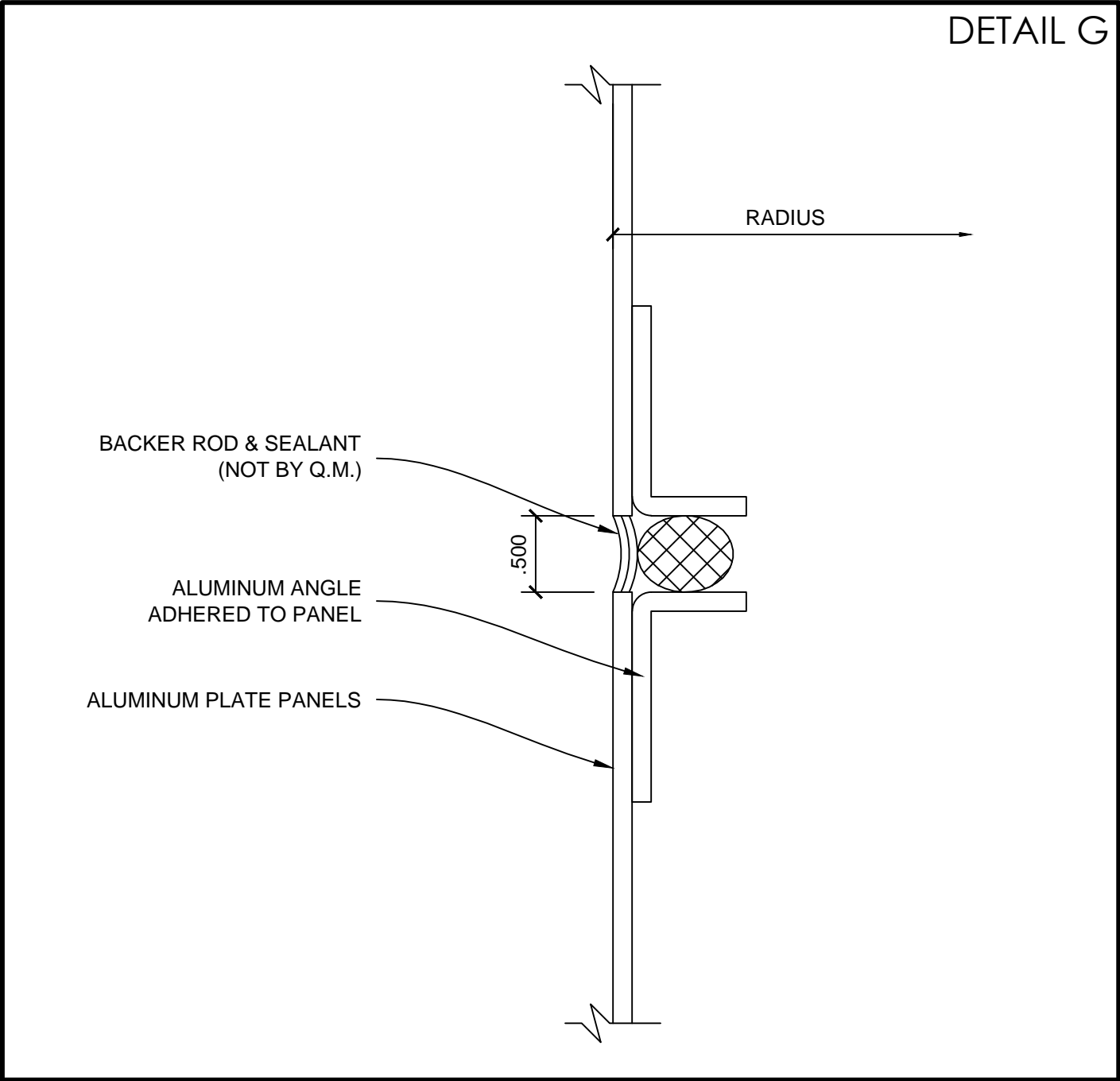


AC-10P

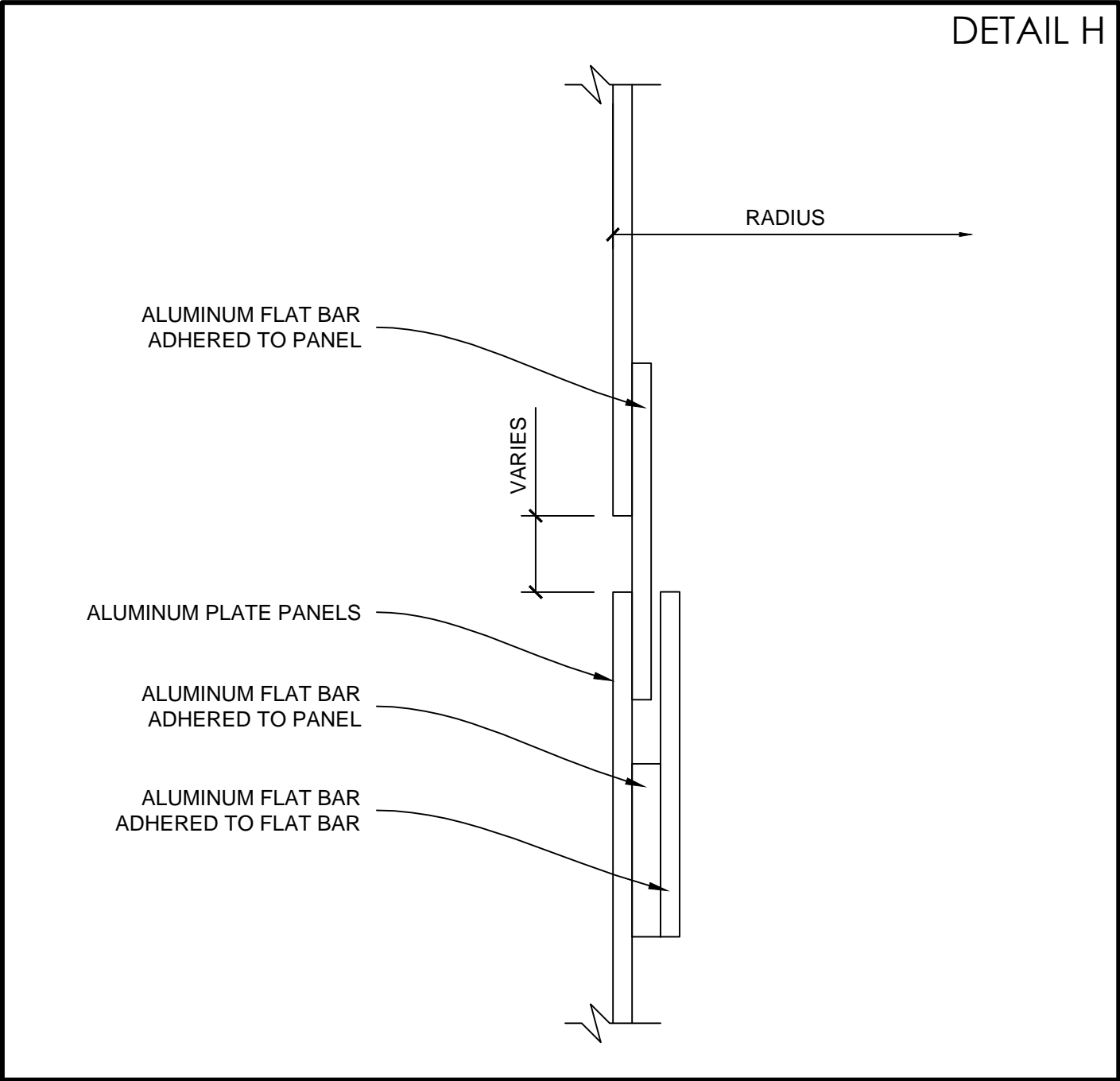
HEAD DETAIL (3)



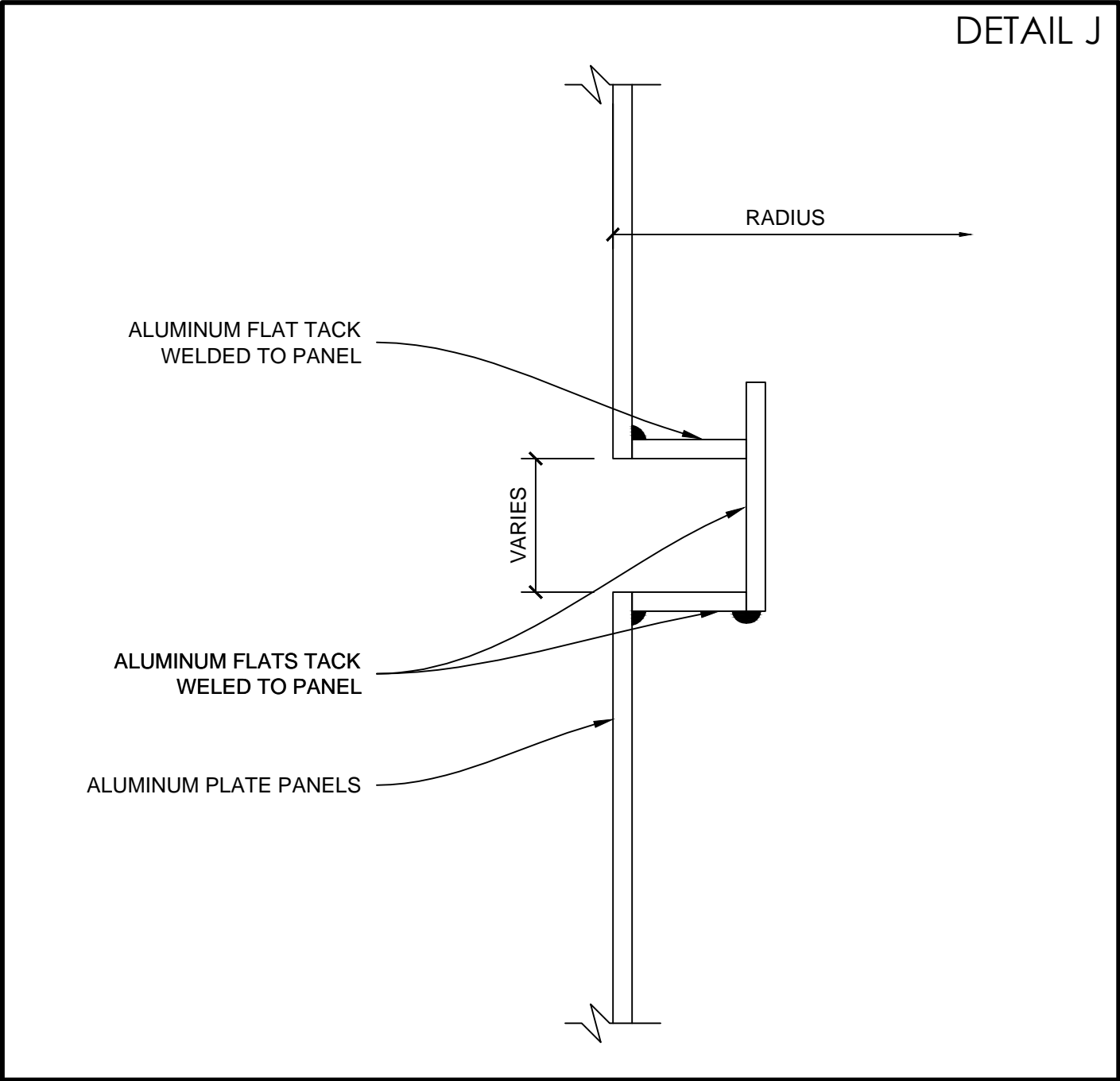
INTERMEDIATE DETAIL (1)



INTERMEDIATE DETAIL (2)



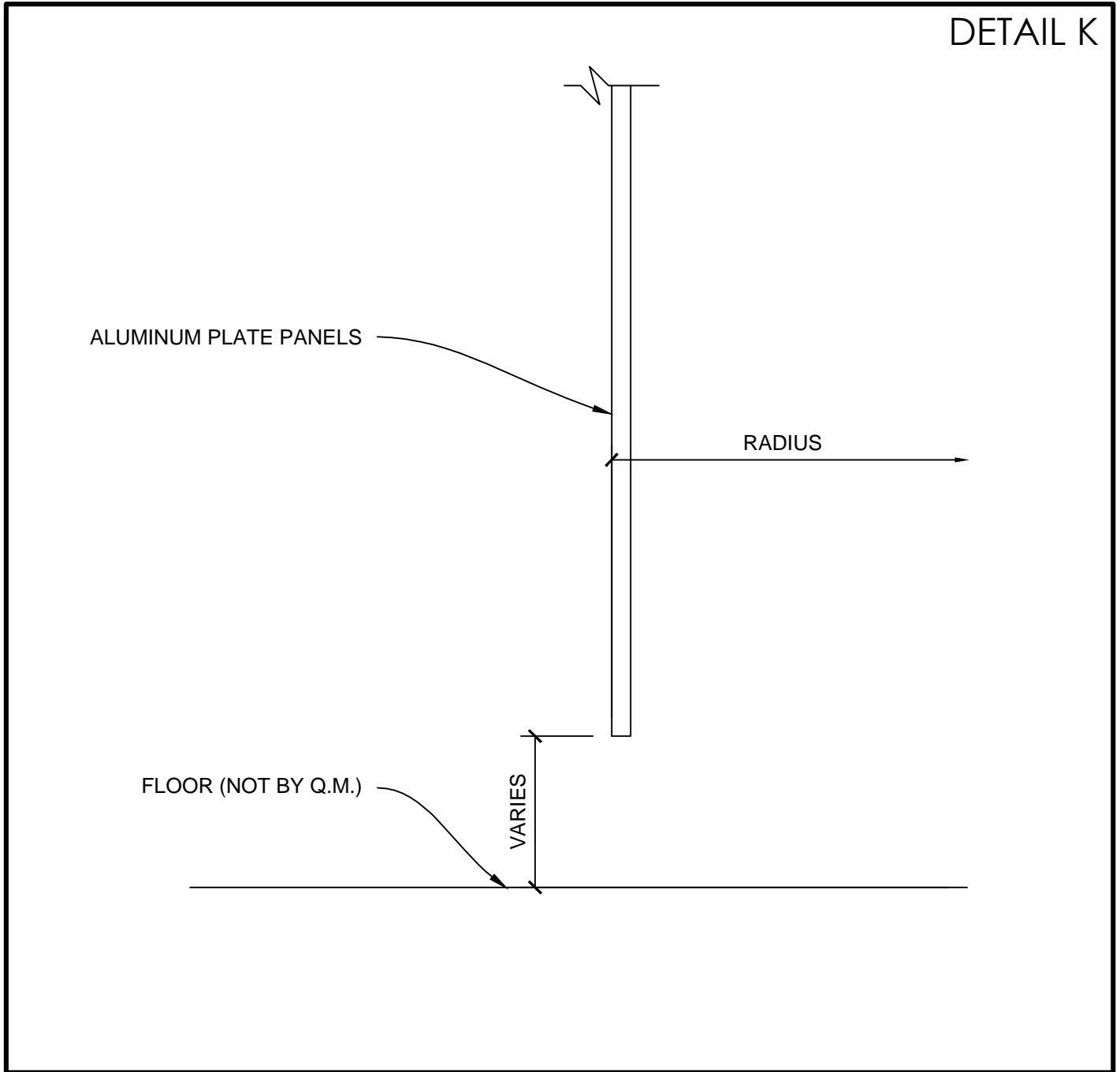
INTERMEDIATE DETAIL (3)





AC-10P

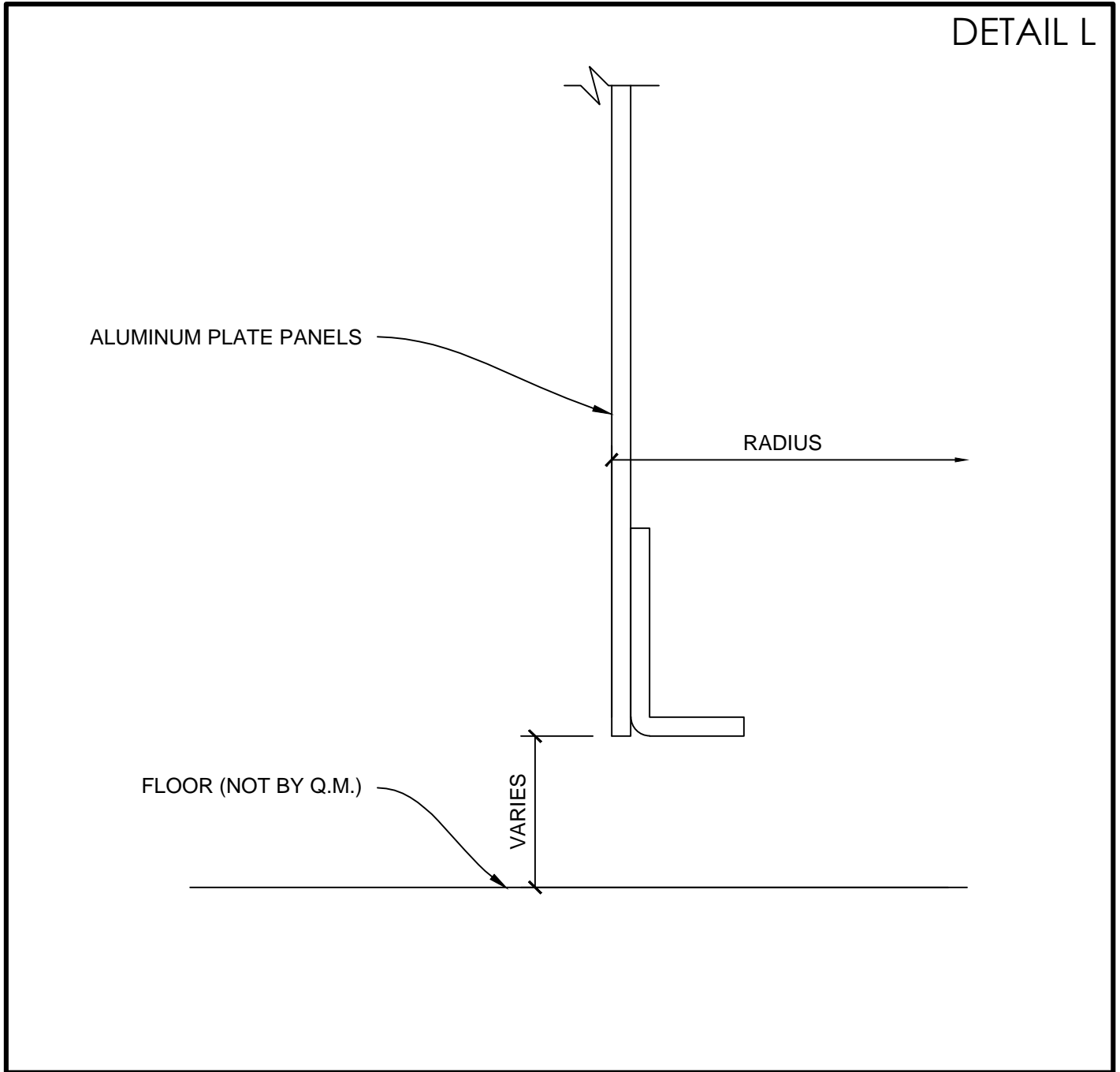
BASE DETAIL (1)



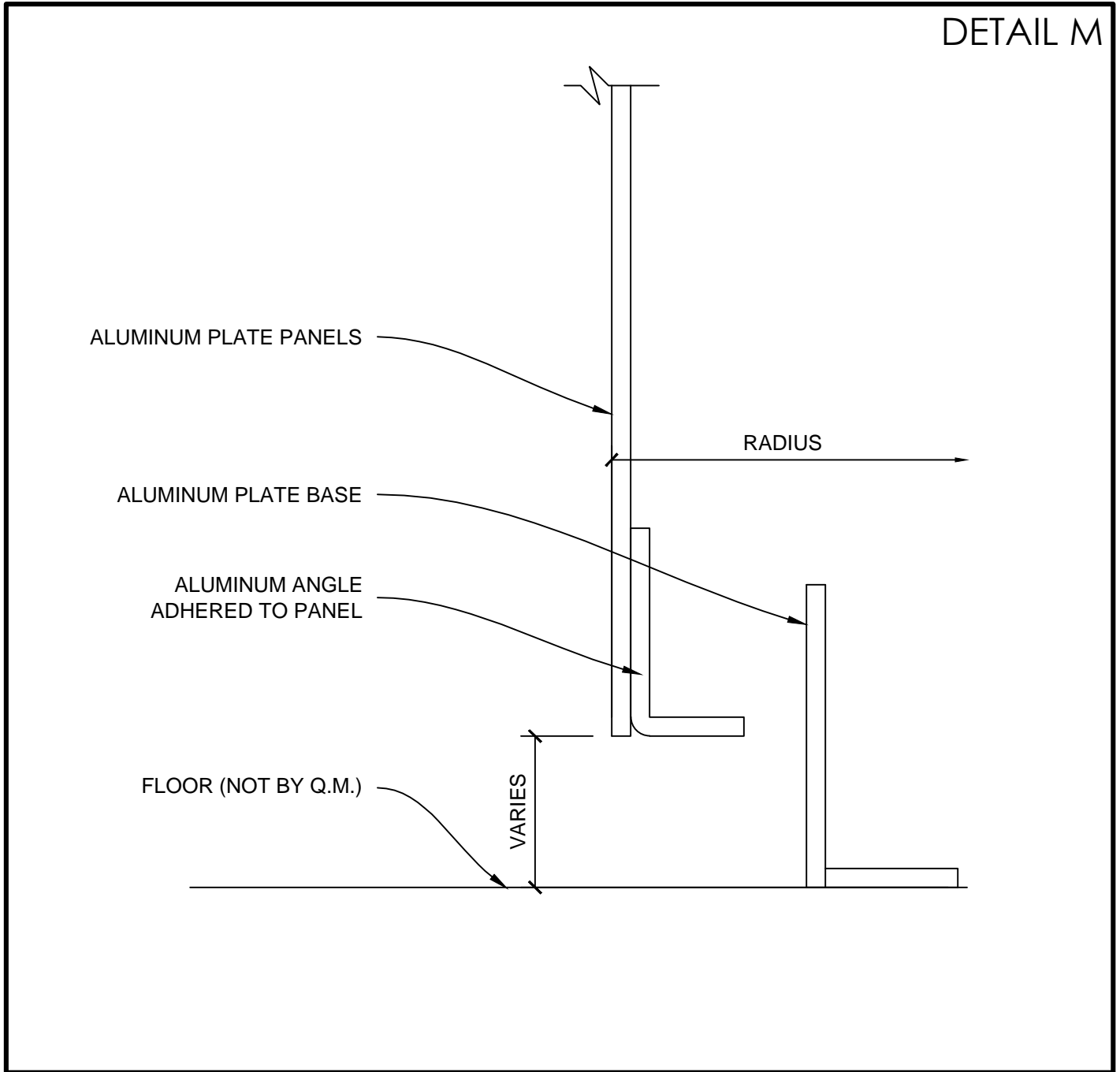


AC-10P

BASE DETAIL (2)

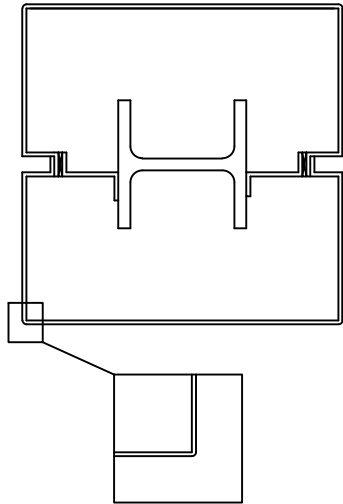


BASE DETAIL (3)

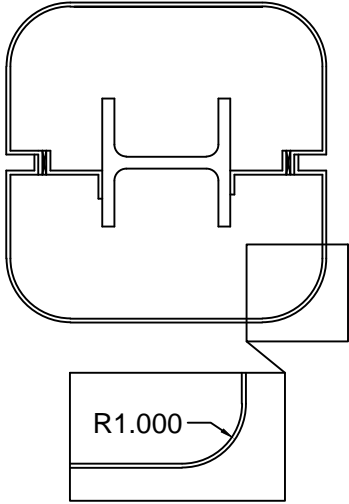


ISOMETRIC

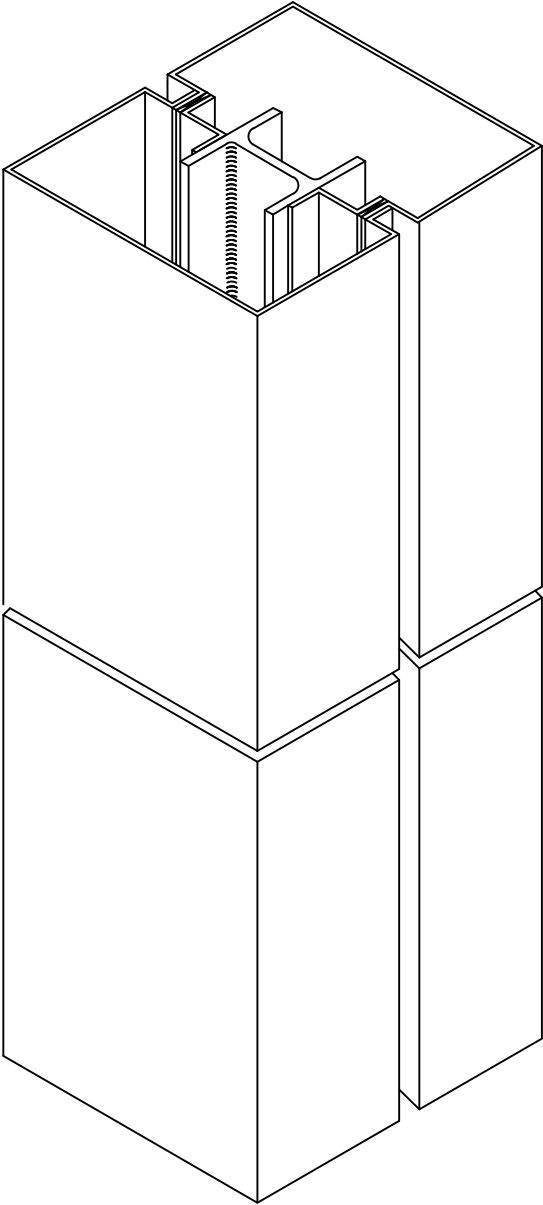
DETAIL N



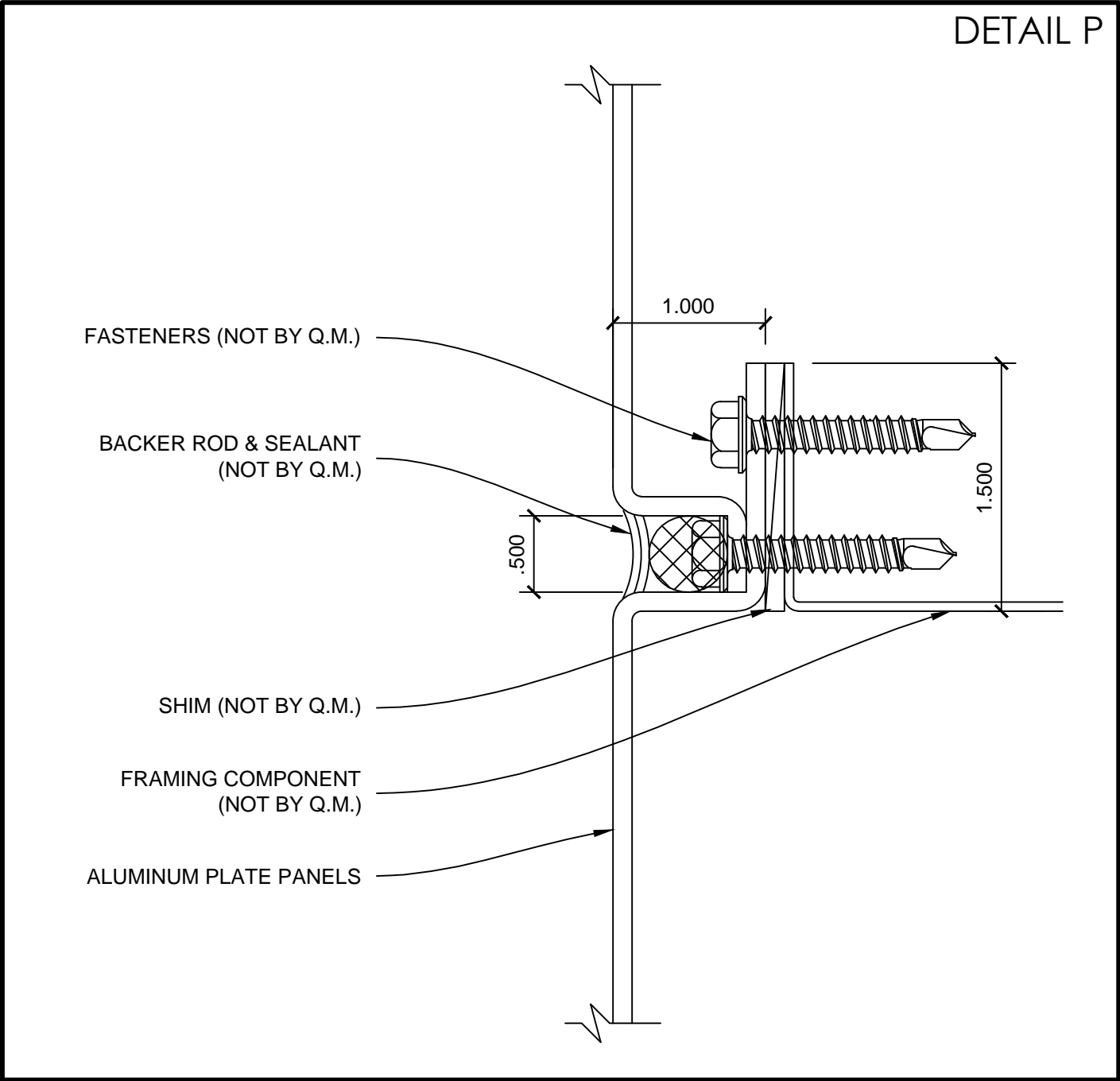
SQUARE CORNER



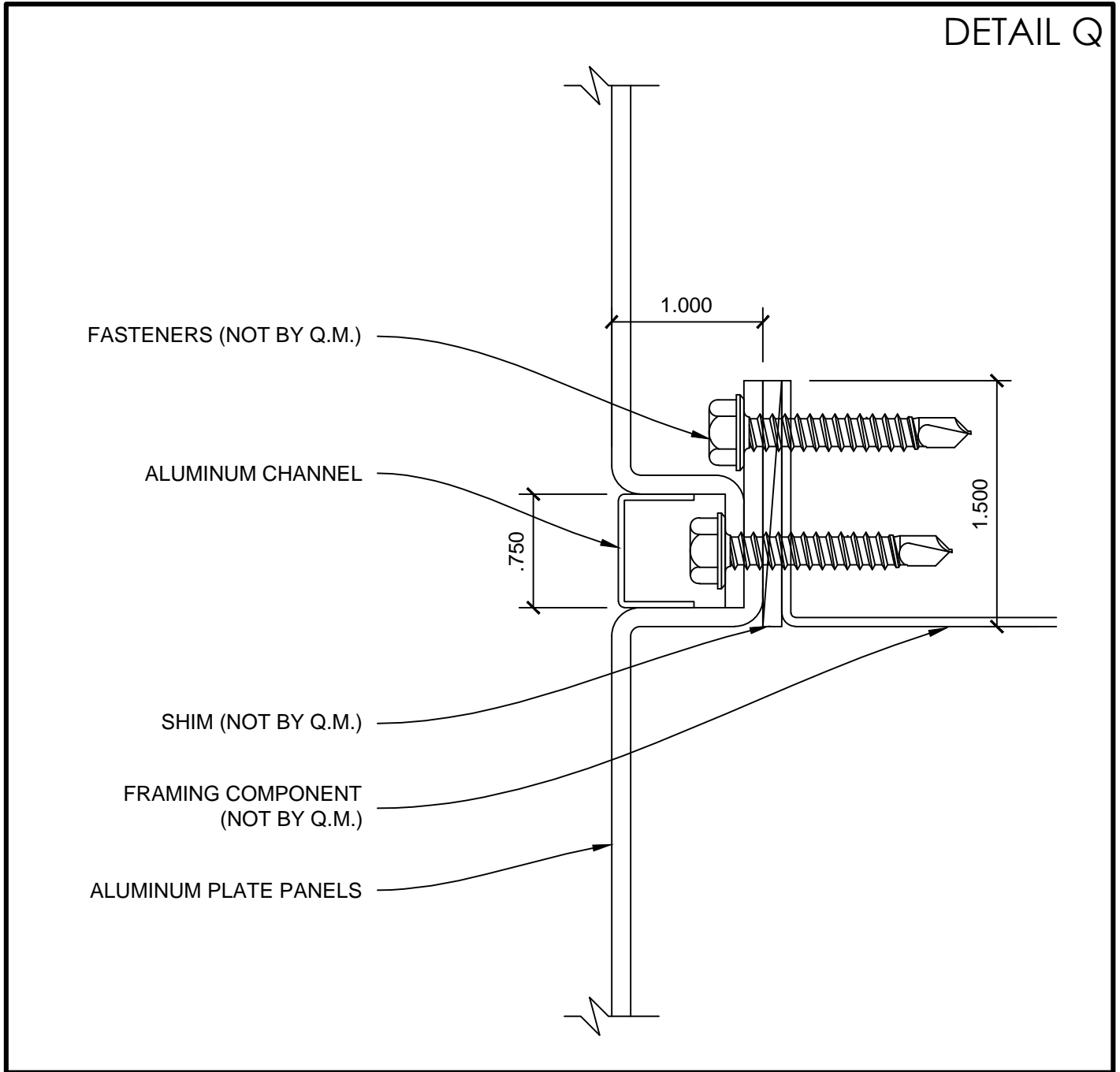
RADIUSED CORNER



VERTICAL DETAIL (1)



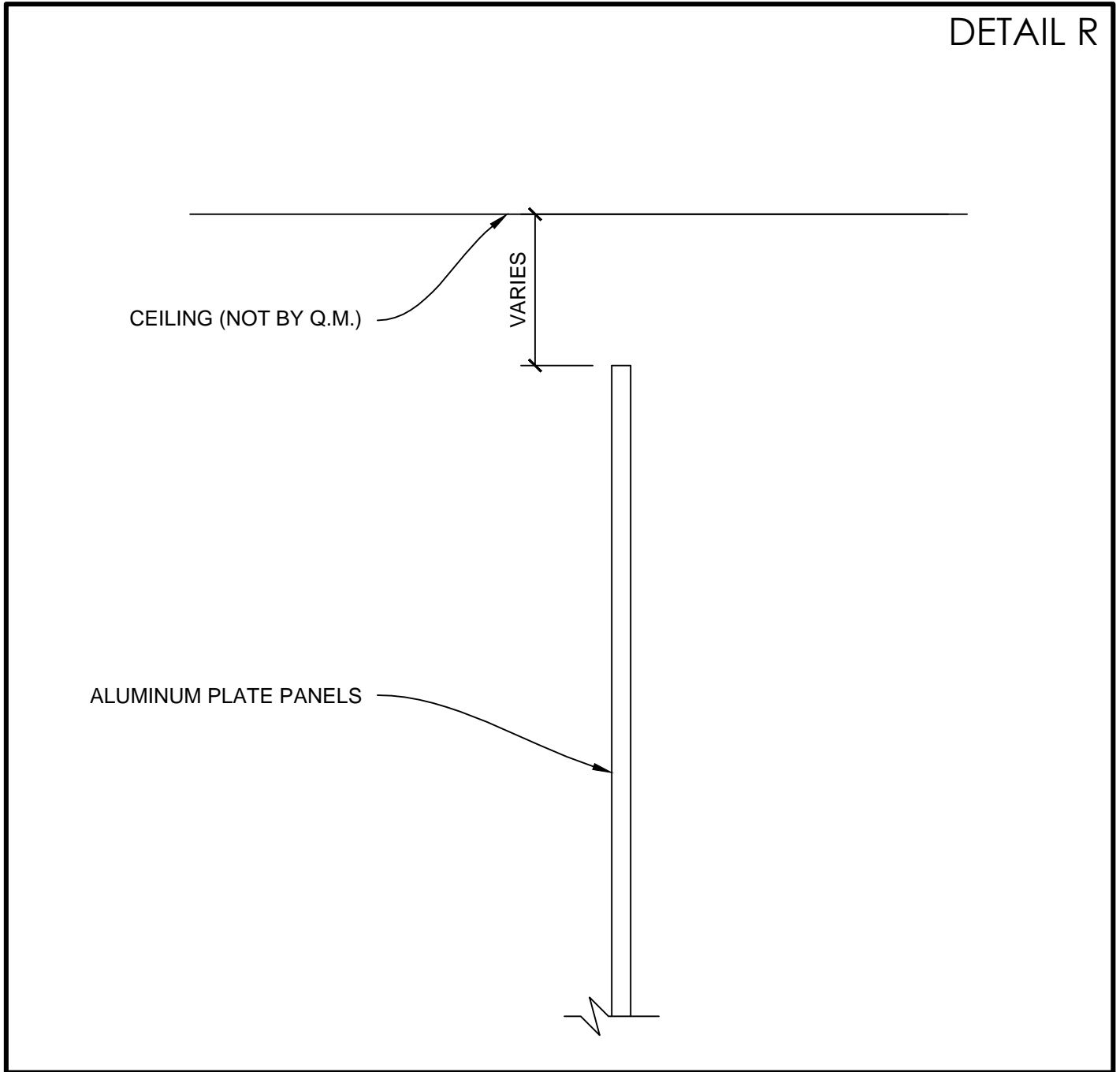
VERTICAL DETAIL (2)





AC-10P

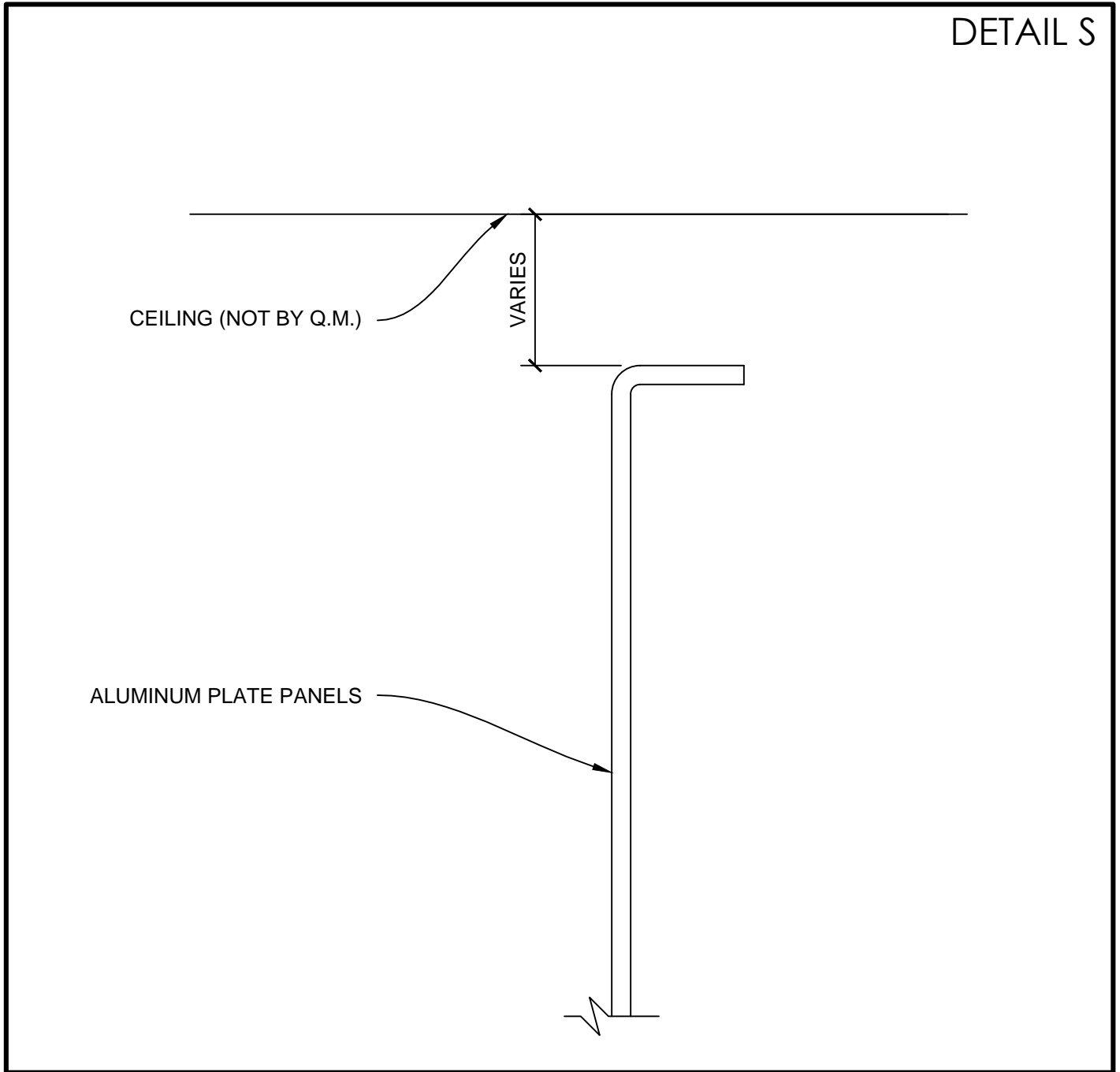
HEAD DETAIL (1)





AC-10P

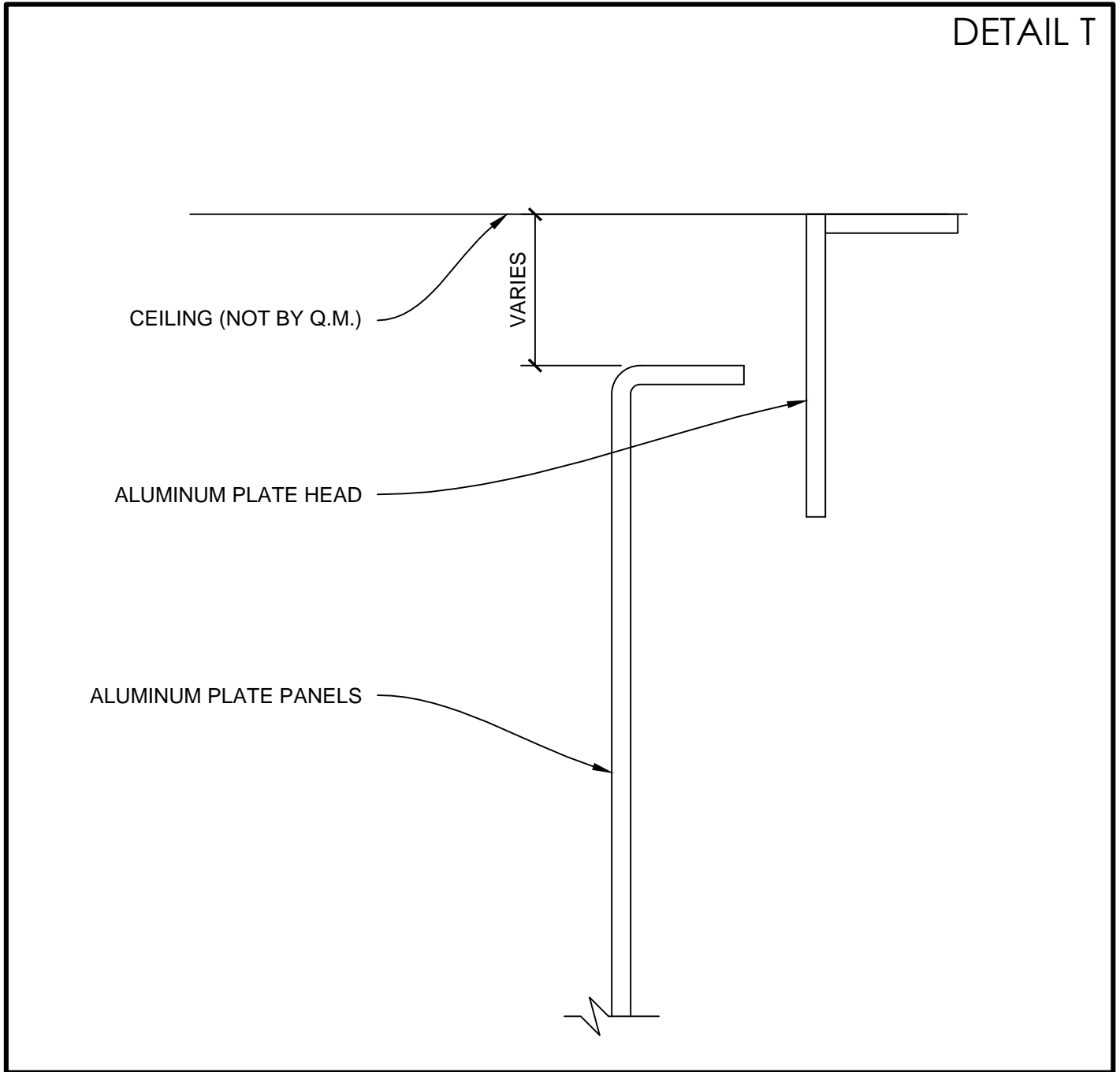
HEAD DETAIL (2)





AC-10P

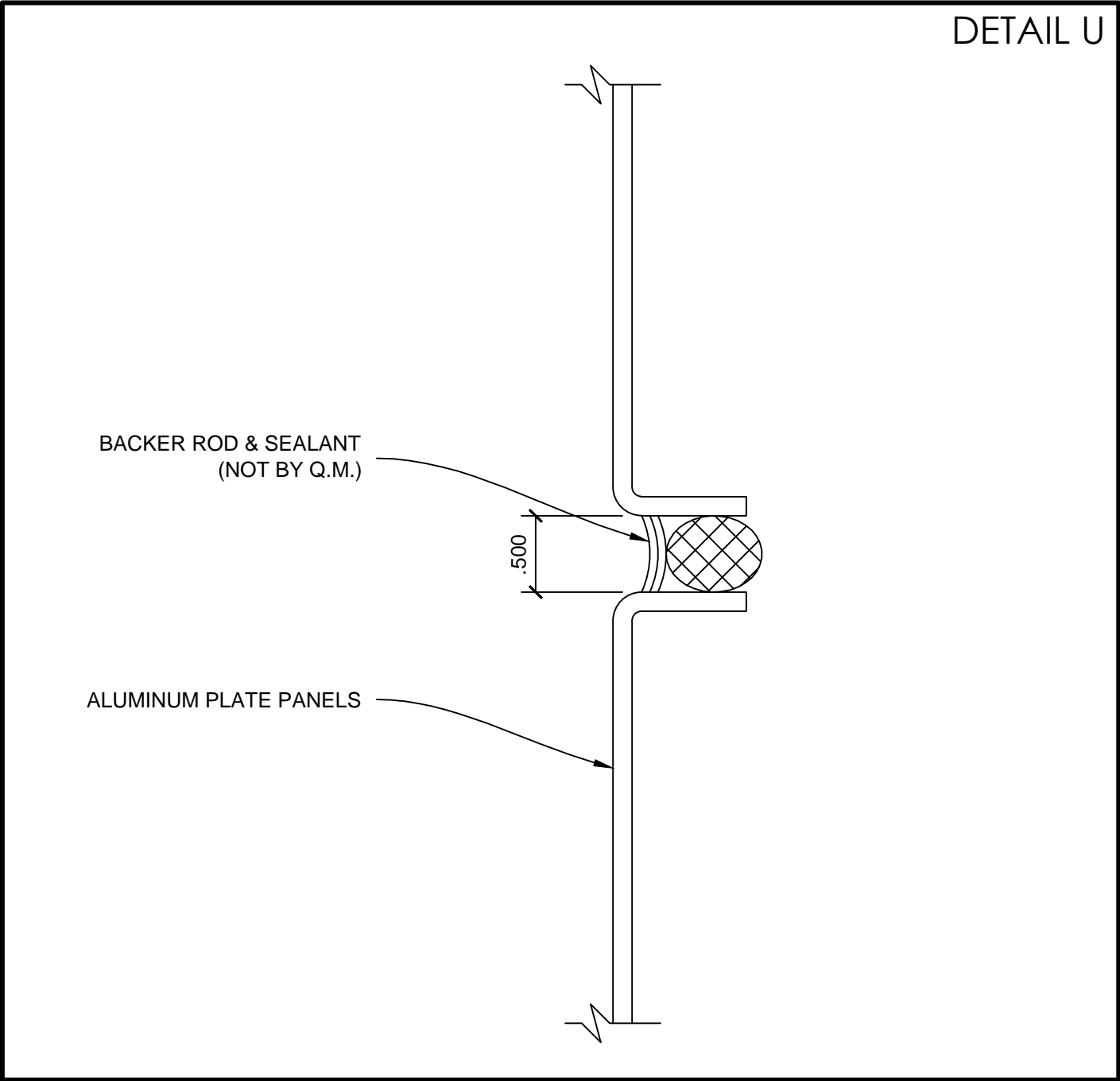
HEAD DETAIL (3)



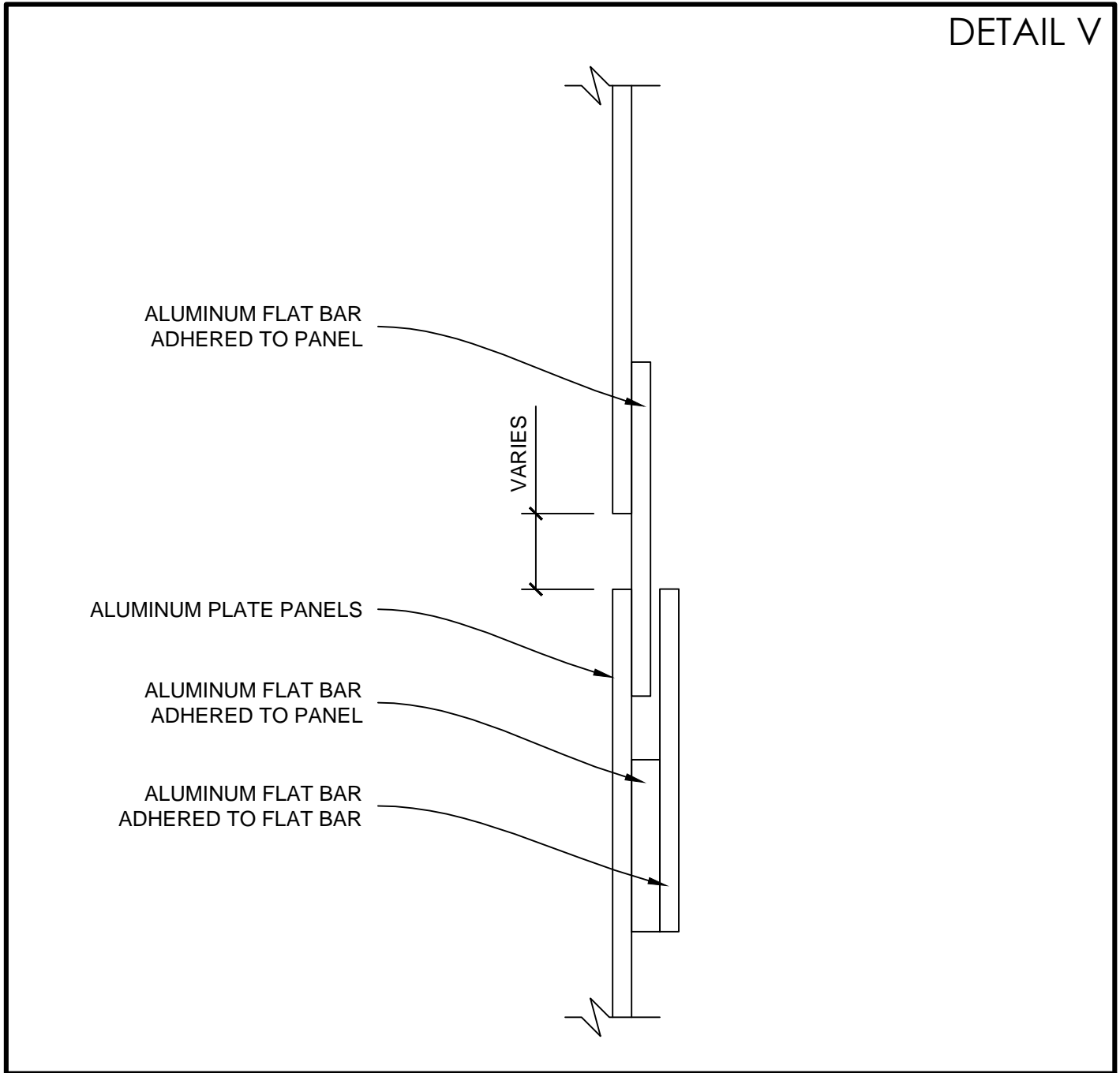


AC-10P

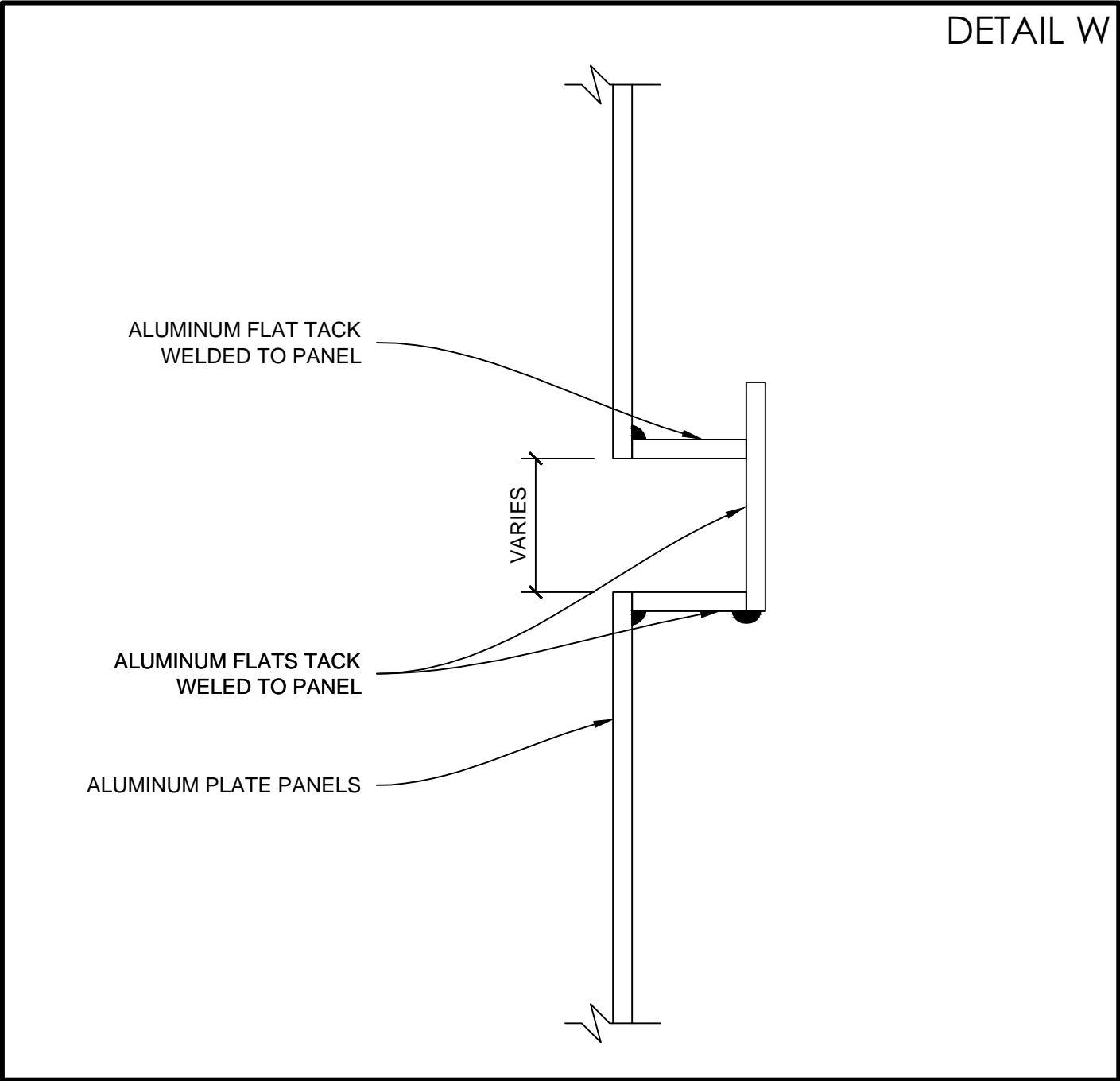
INTERMEDIATE DETAIL (1)



INTERMEDIATE DETAIL (2)



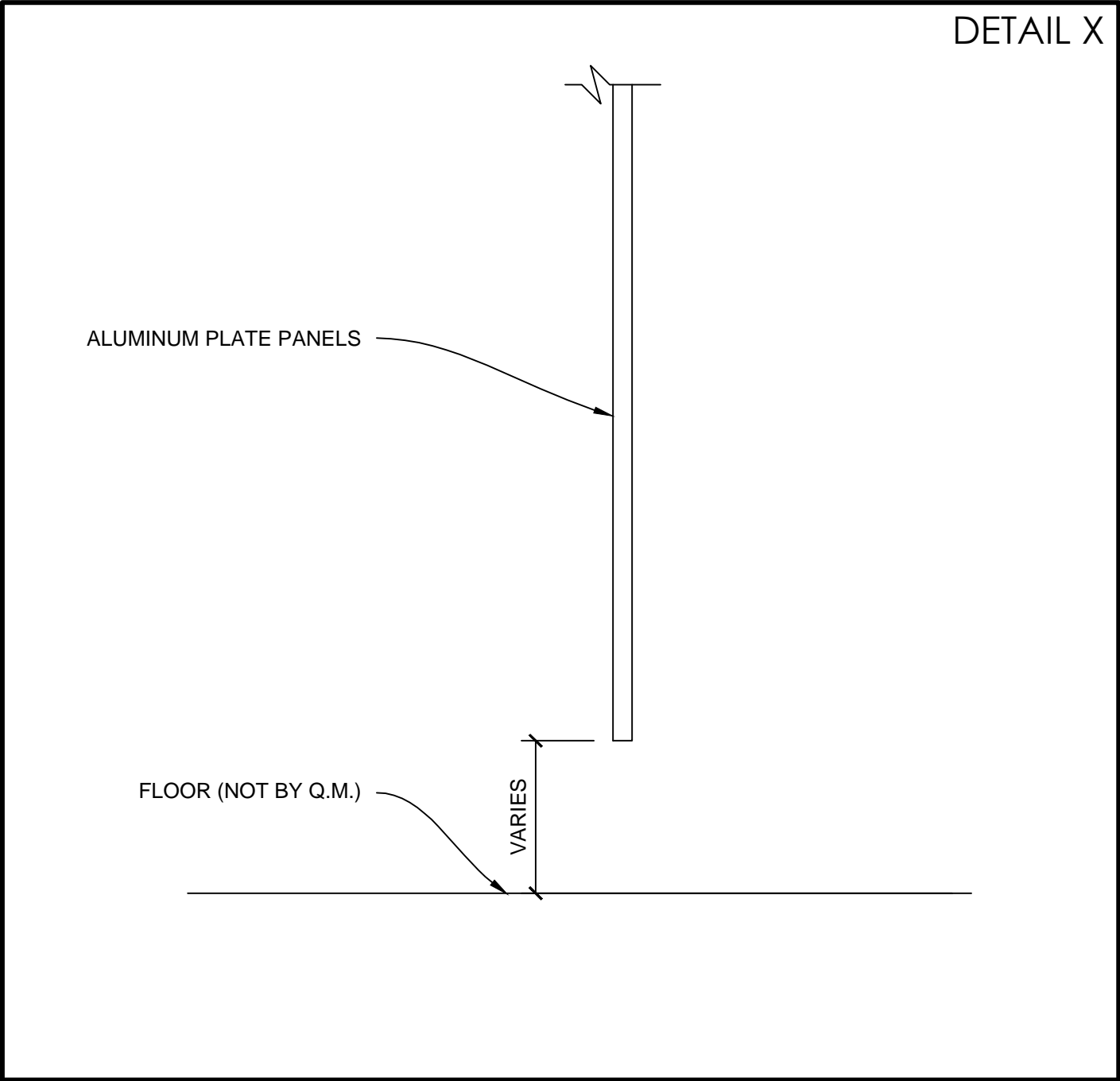
INTERMEDIATE DETAIL (3)





AC-10P

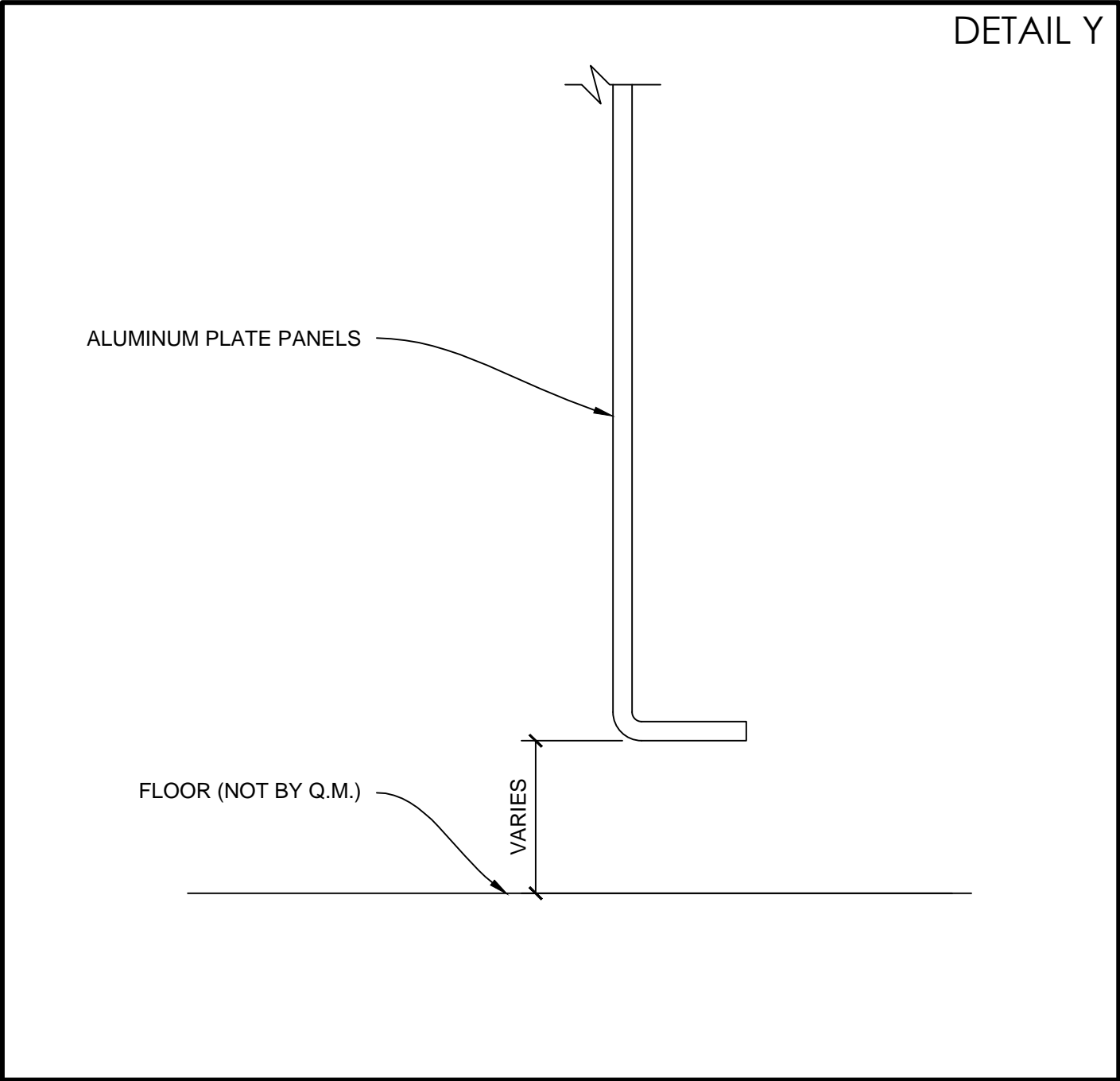
BASE DETAIL (1)





AC-10P

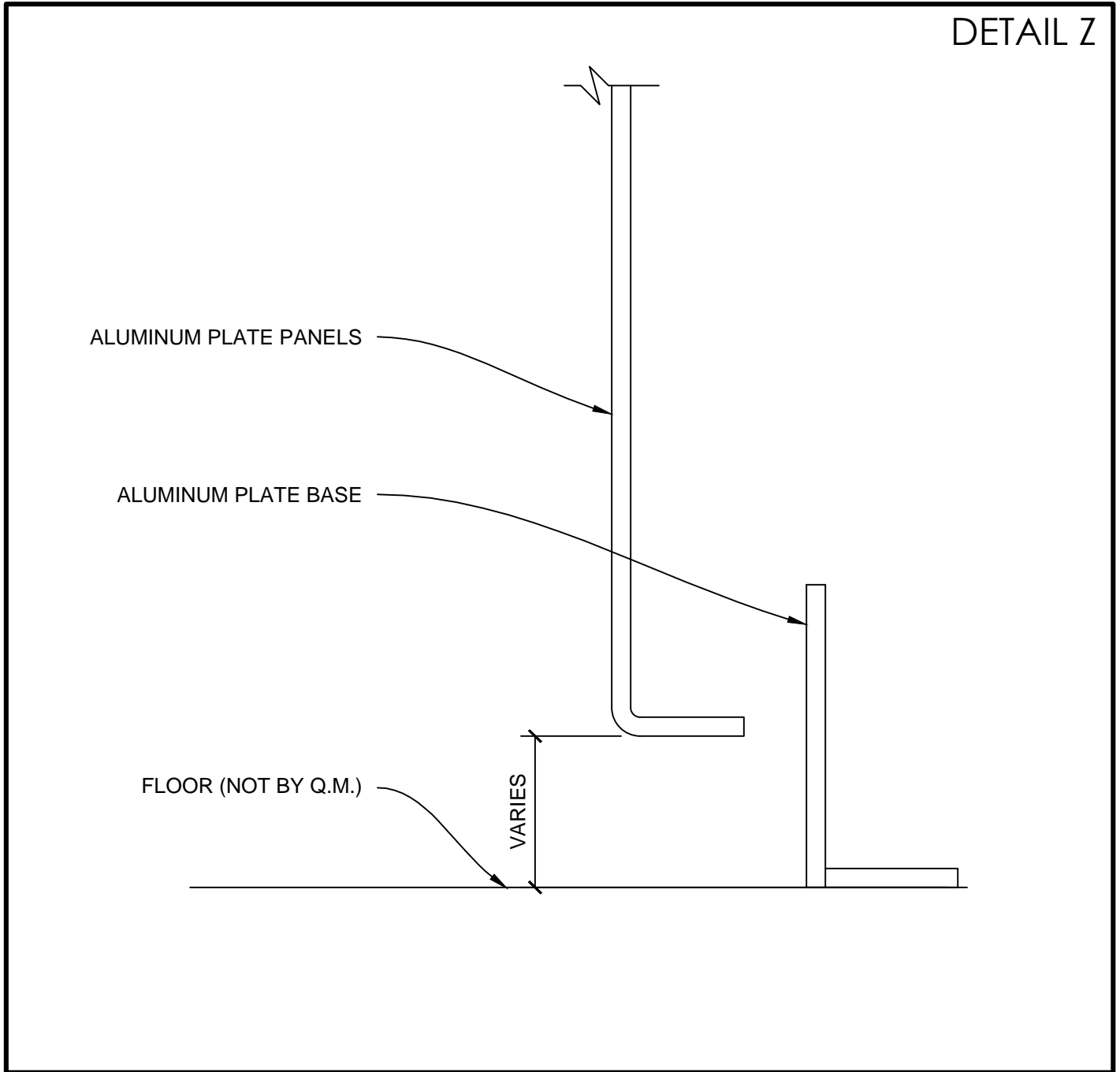
BASE DETAIL (2)





AC-10P

BASE DETAIL (3)



ALUMINUM PLATE COLUMN COVER (REVEAL JOINT)
INSTALLATION GUIDE

