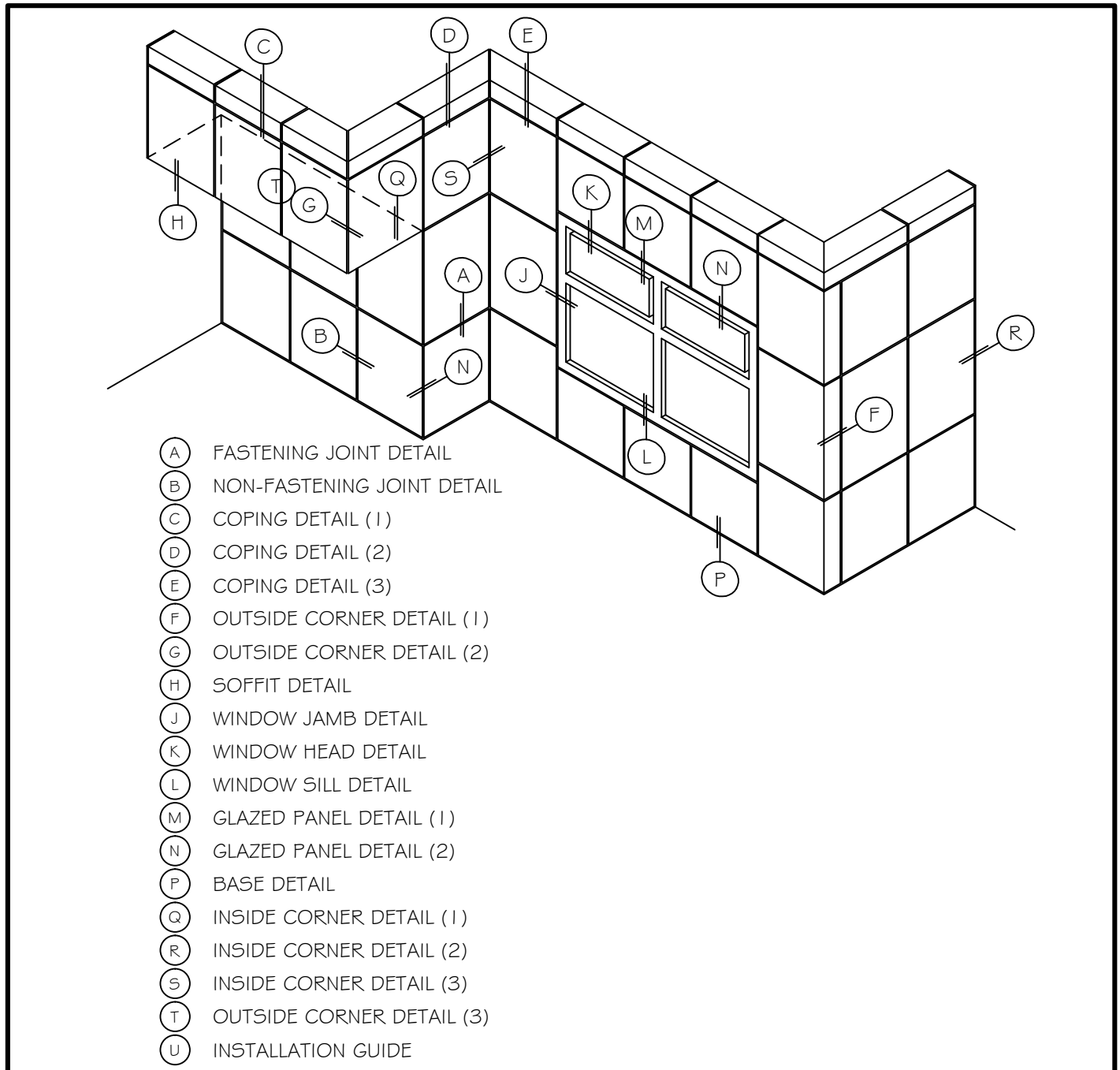
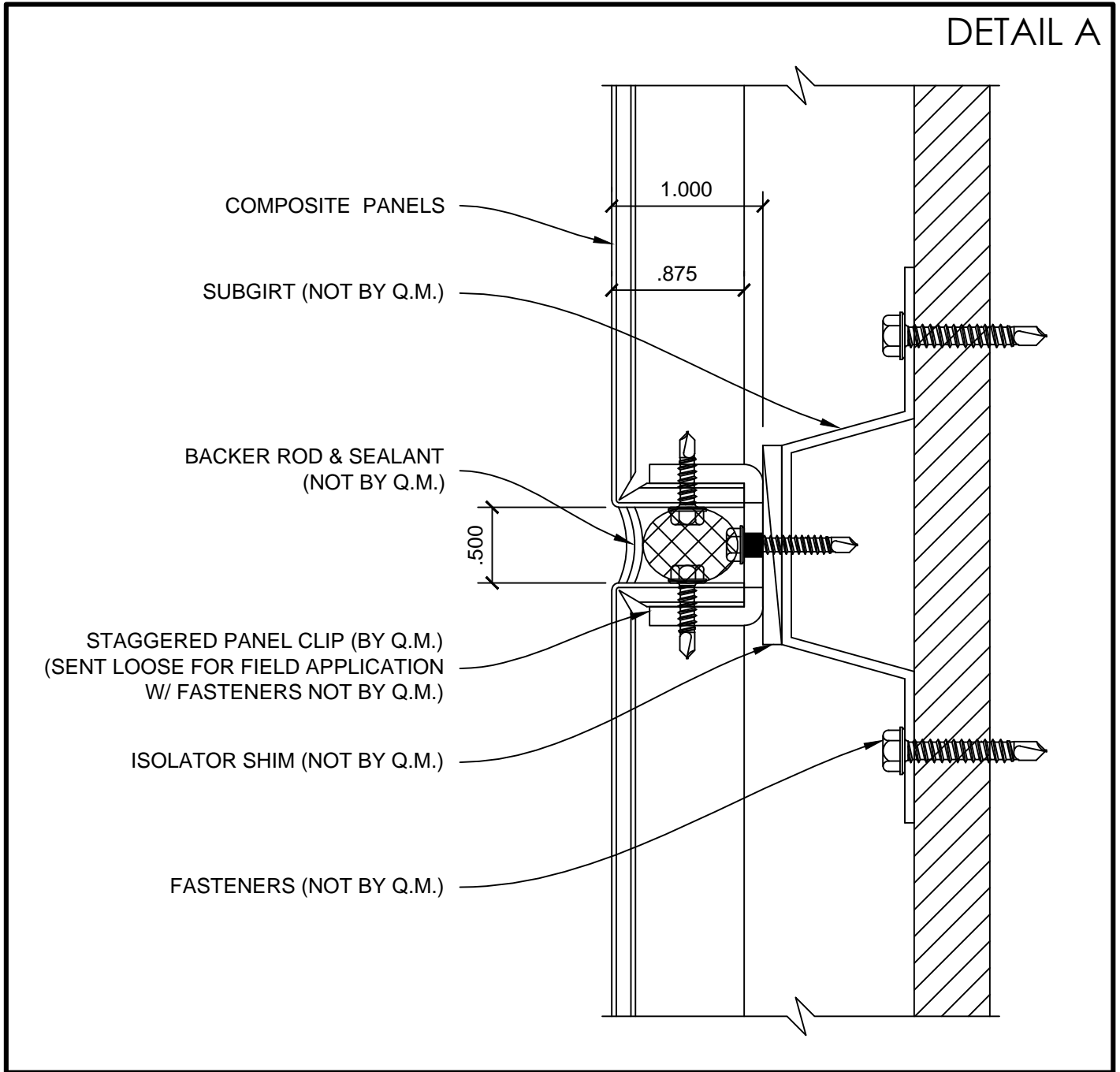


COMPOSITE PANEL SYSTEM (WET JOINT)



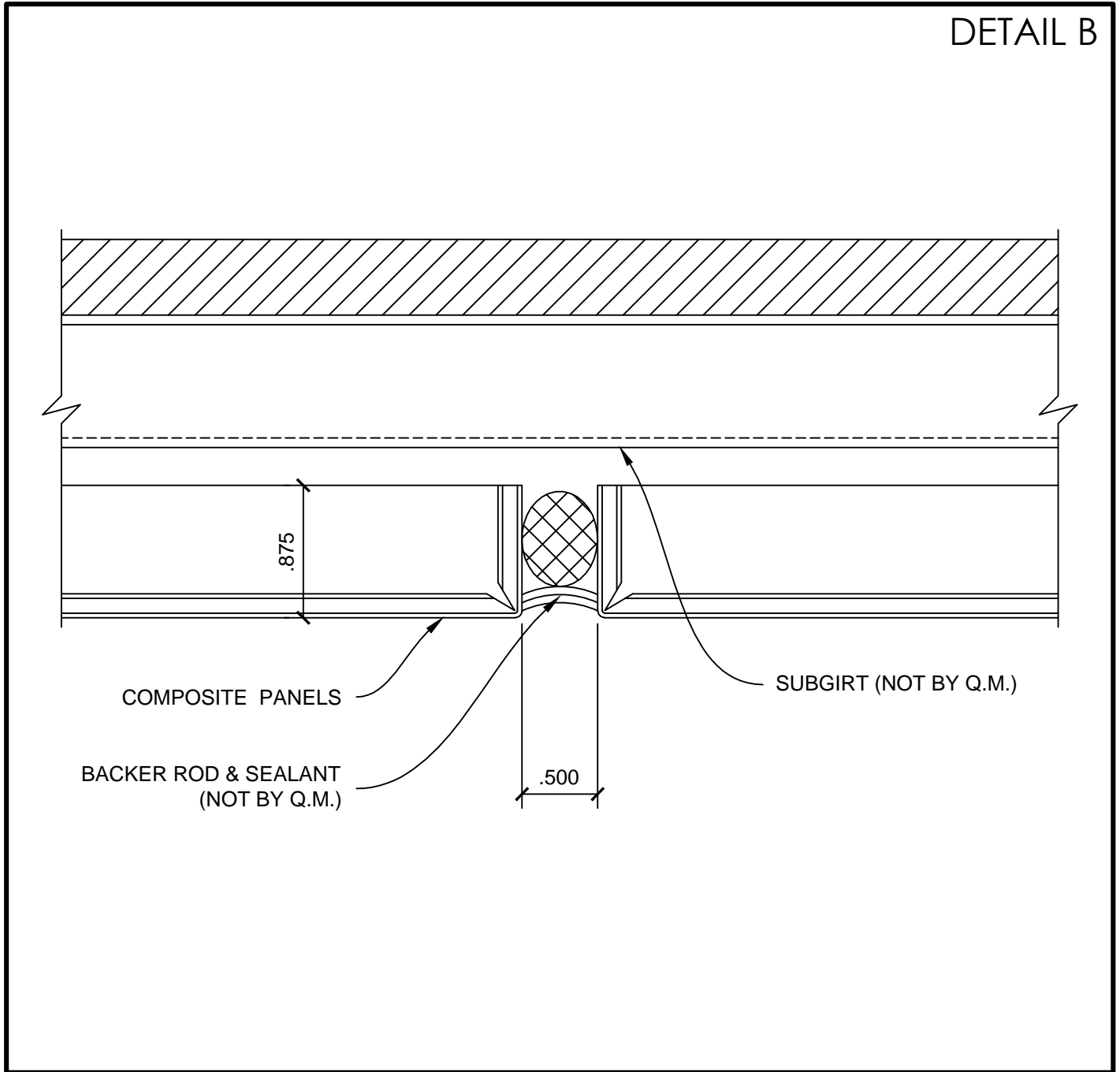
COPYRIGHT QUALITY METALCRAFTS, LLC

FASTENING JOINT DETAIL



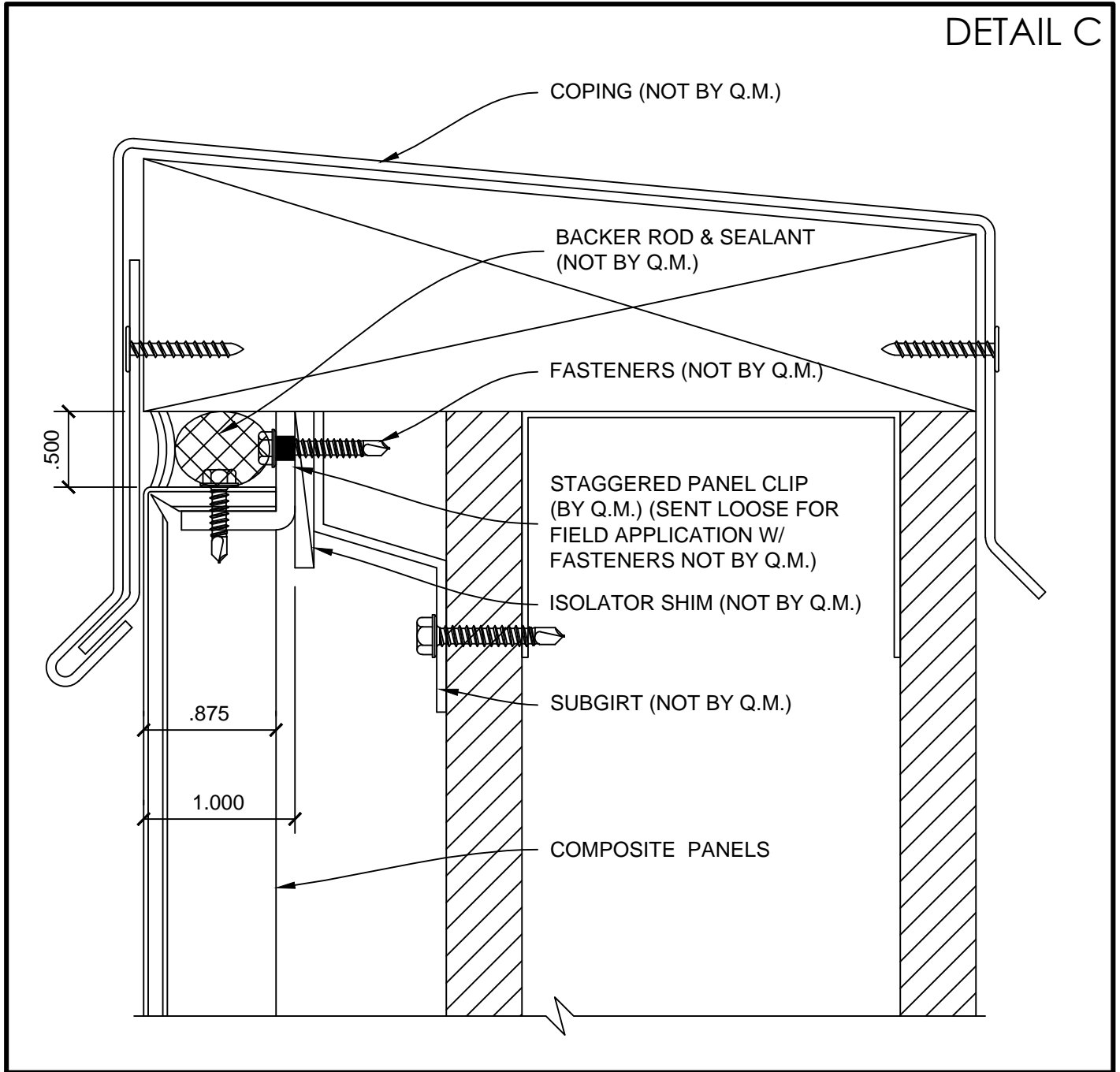
COPYRIGHT QUALITY METALCRAFTS, LLC

NON-FASTENING JOINT DETAIL



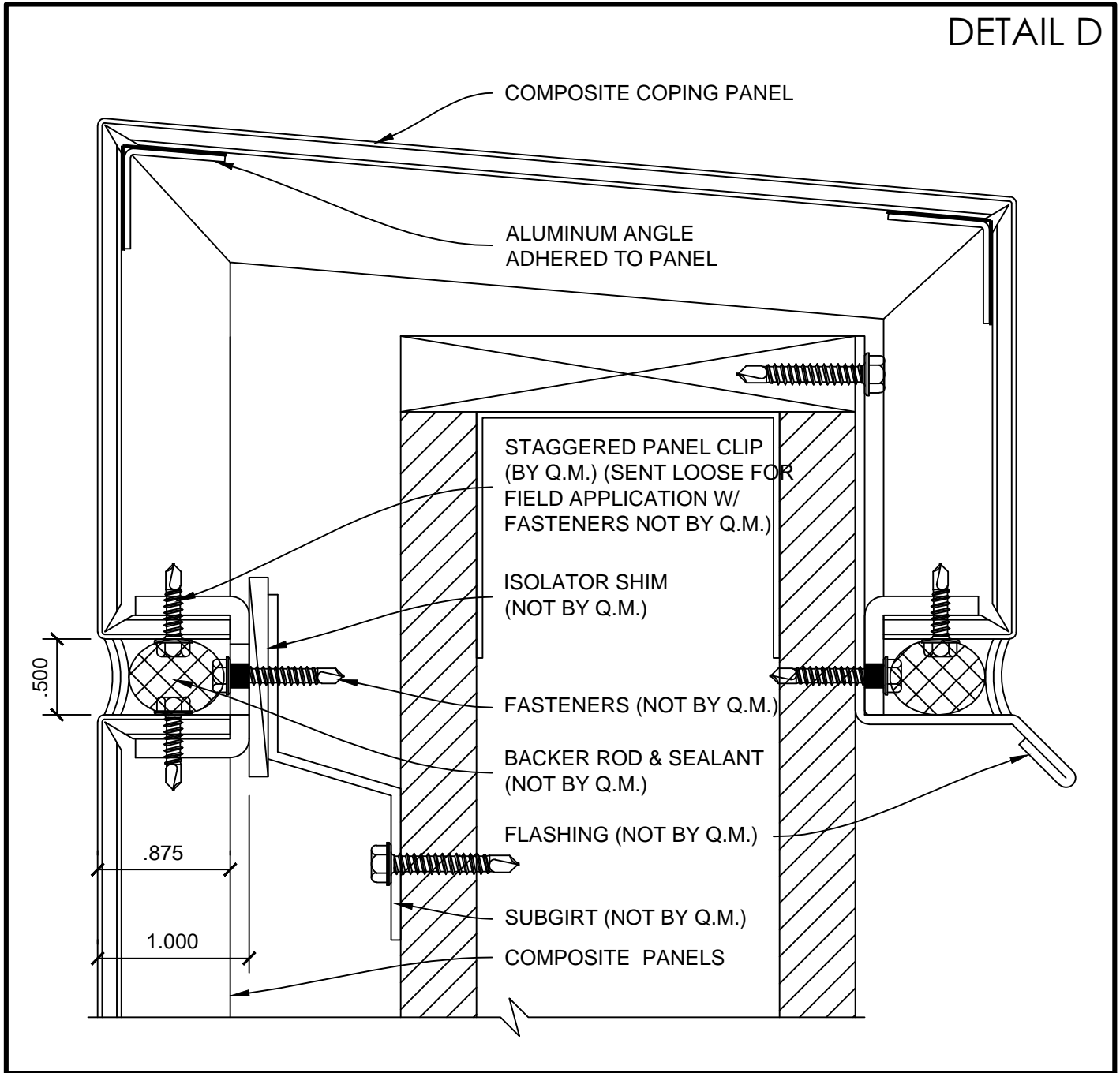
COPYRIGHT QUALITY METALCRAFTS, LLC

COPING DETAIL (1)



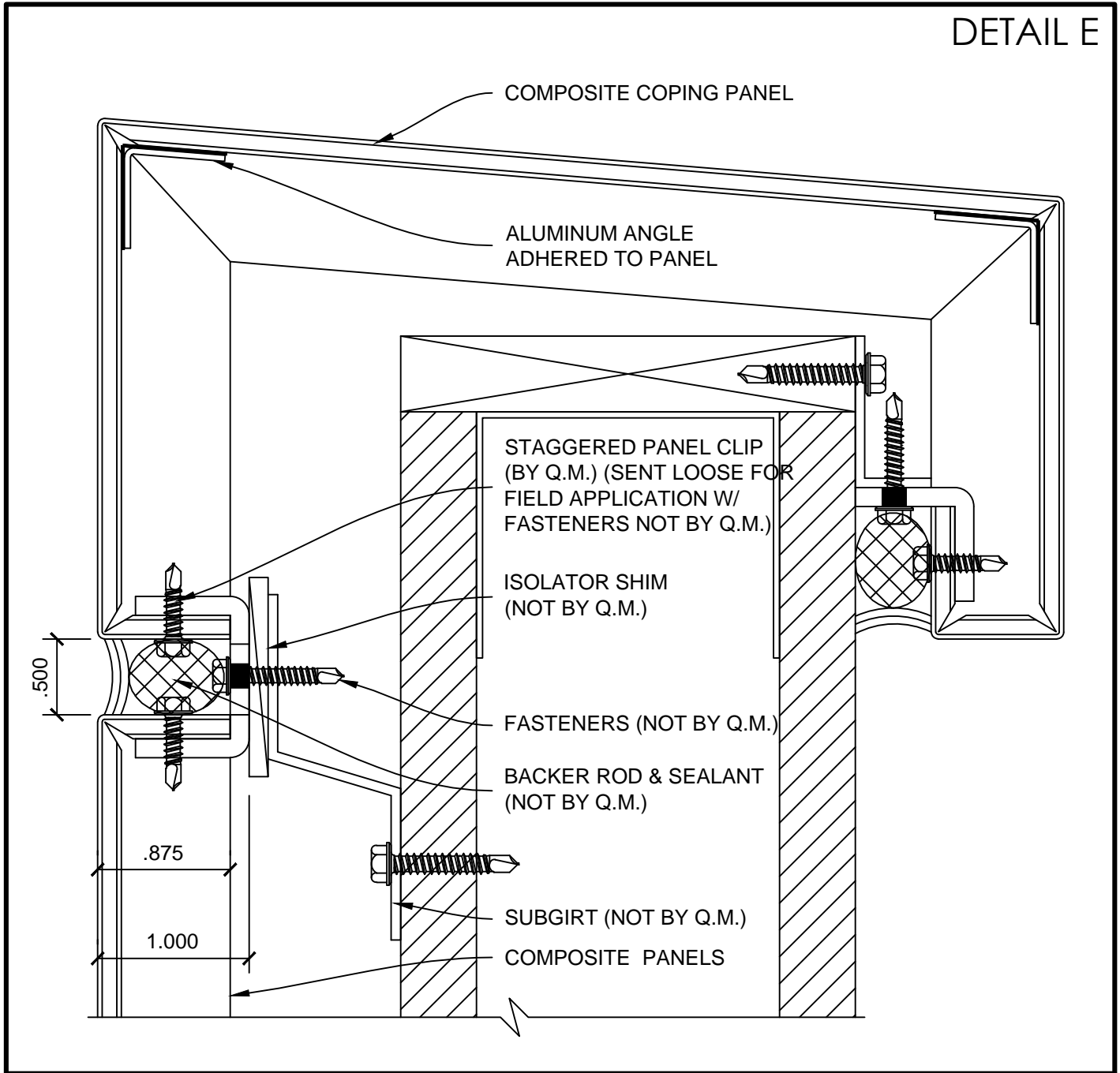
COPYRIGHT QUALITY METALCRAFTS, LLC

COPING DETAIL (2)



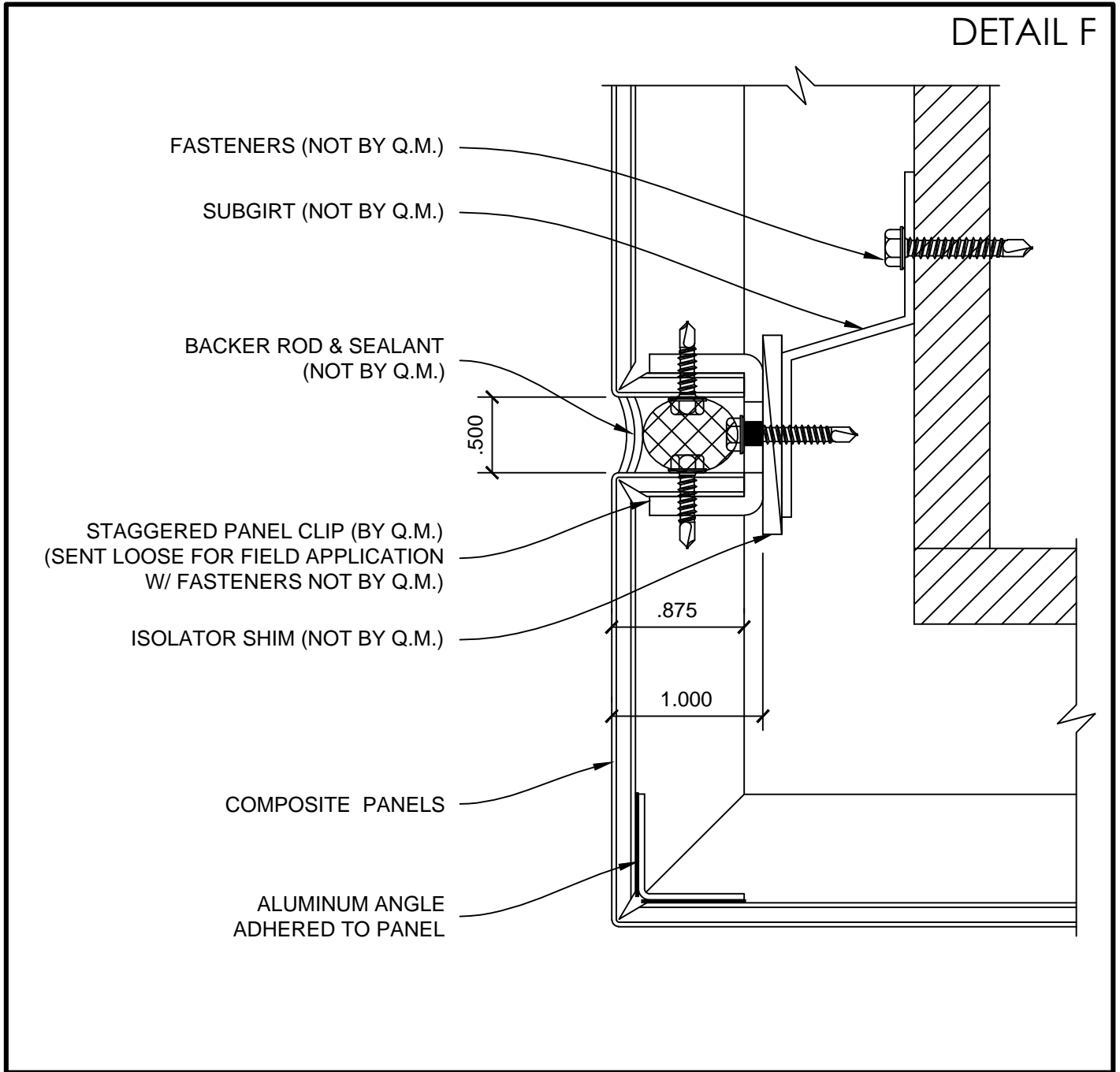
COPYRIGHT QUALITY METALCRAFTS, LLC

COPING DETAIL (3)



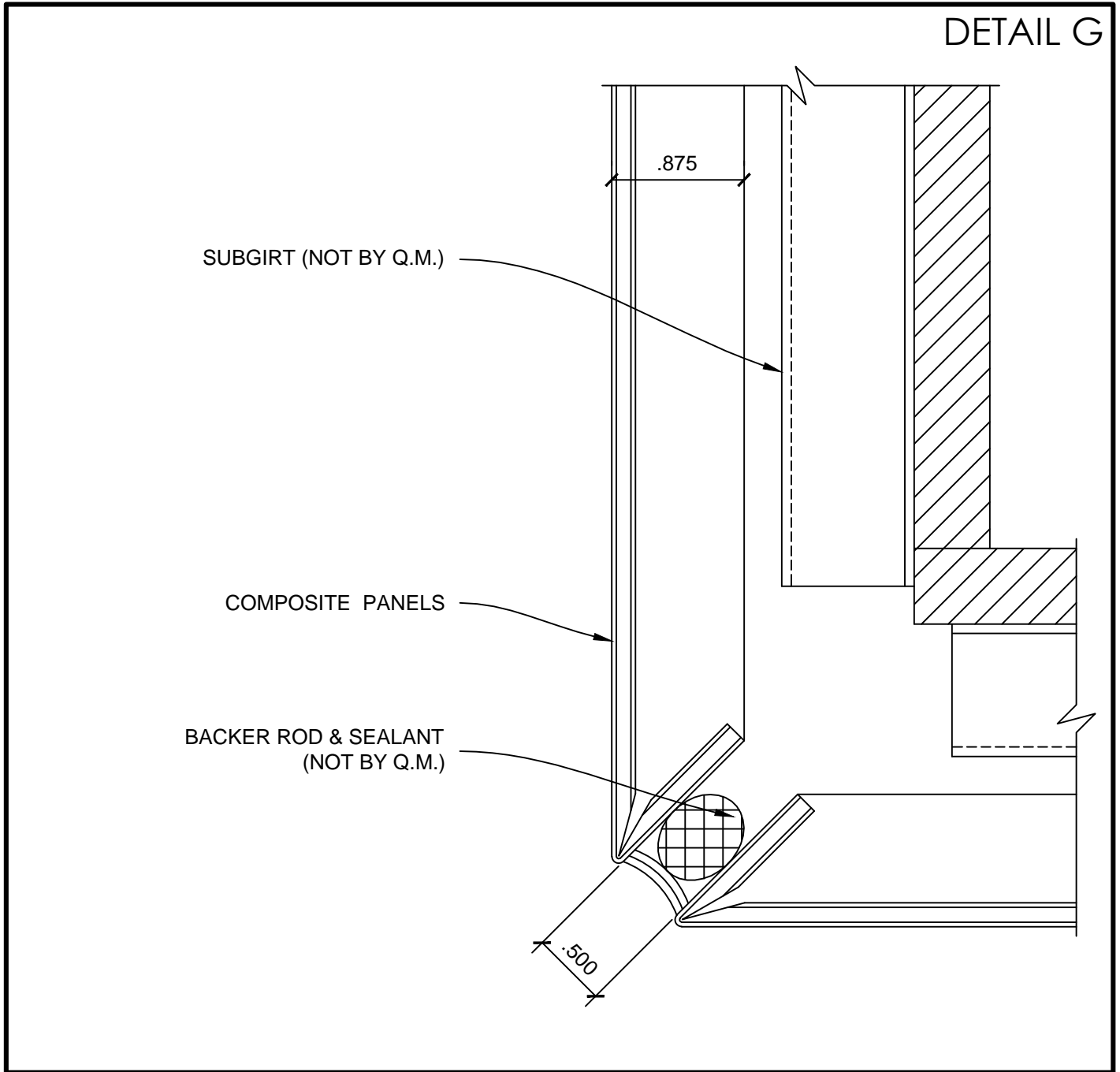
COPYRIGHT QUALITY METALCRAFTS, LLC

OUTSIDE CORNER DETAIL (1)



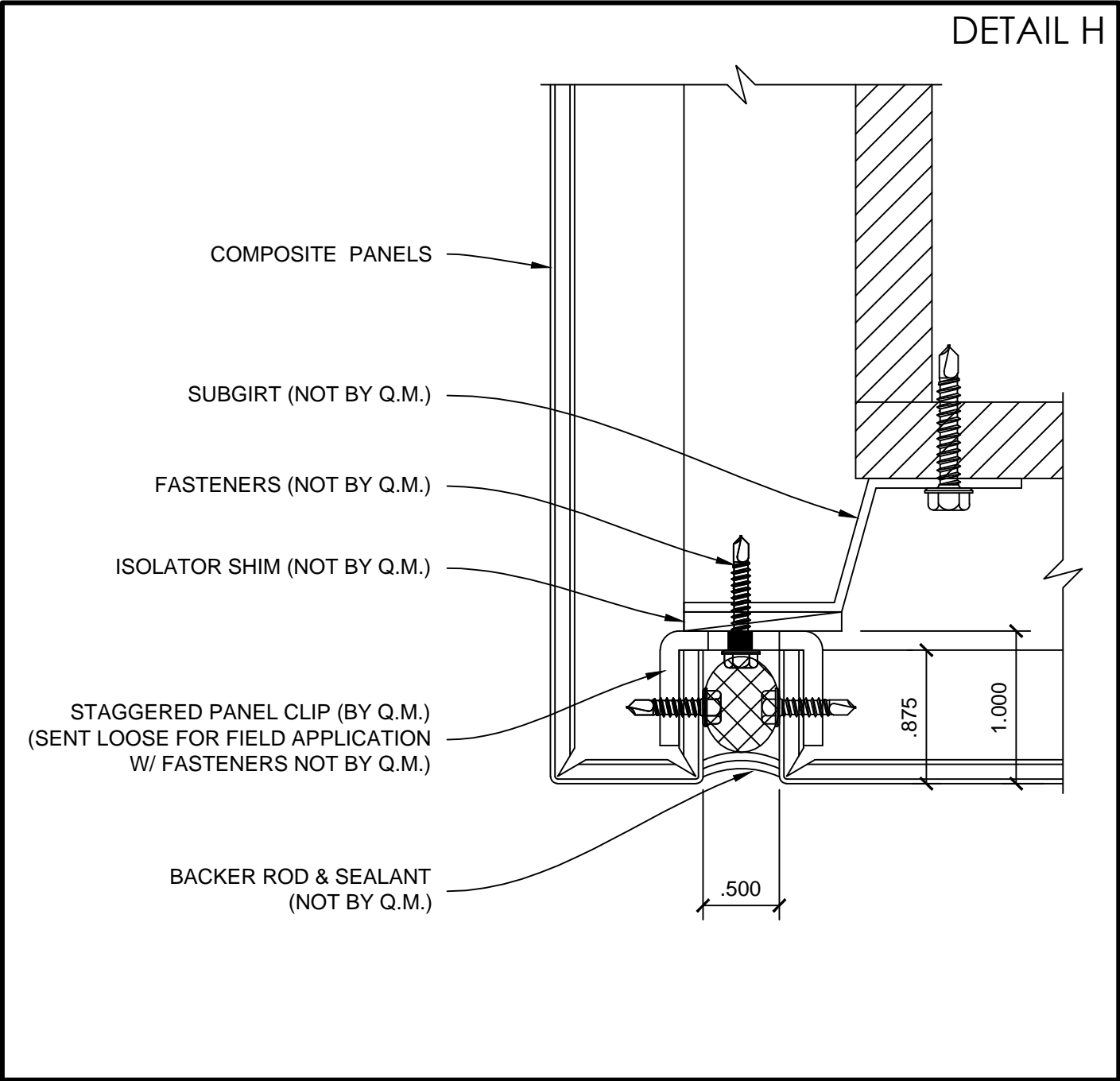
COPYRIGHT QUALITY METALCRAFTS, LLC

OUTSIDE CORNER DETAIL (2)



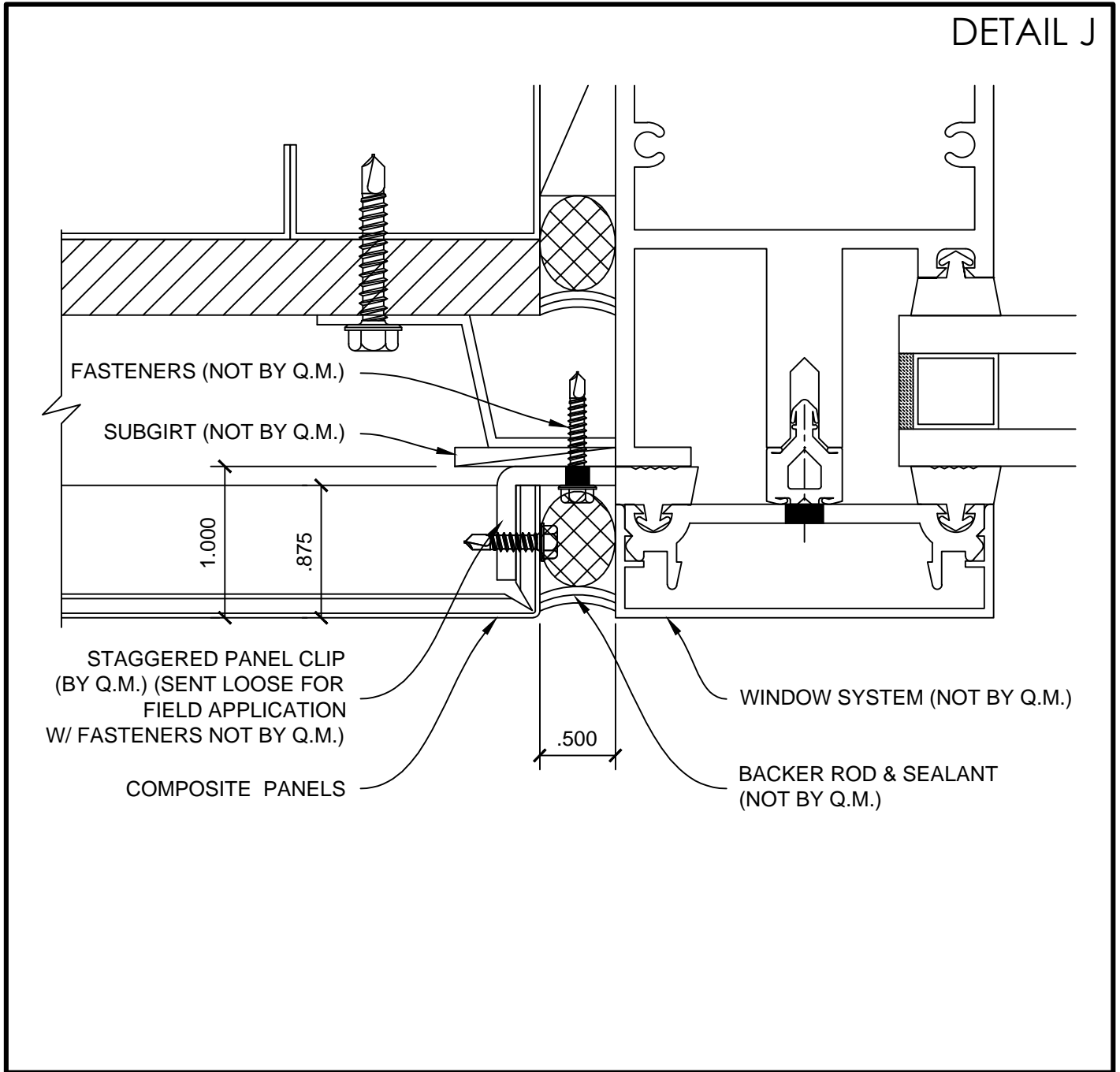
COPYRIGHT QUALITY METALCRAFTS, LLC

SOFFIT DETAIL



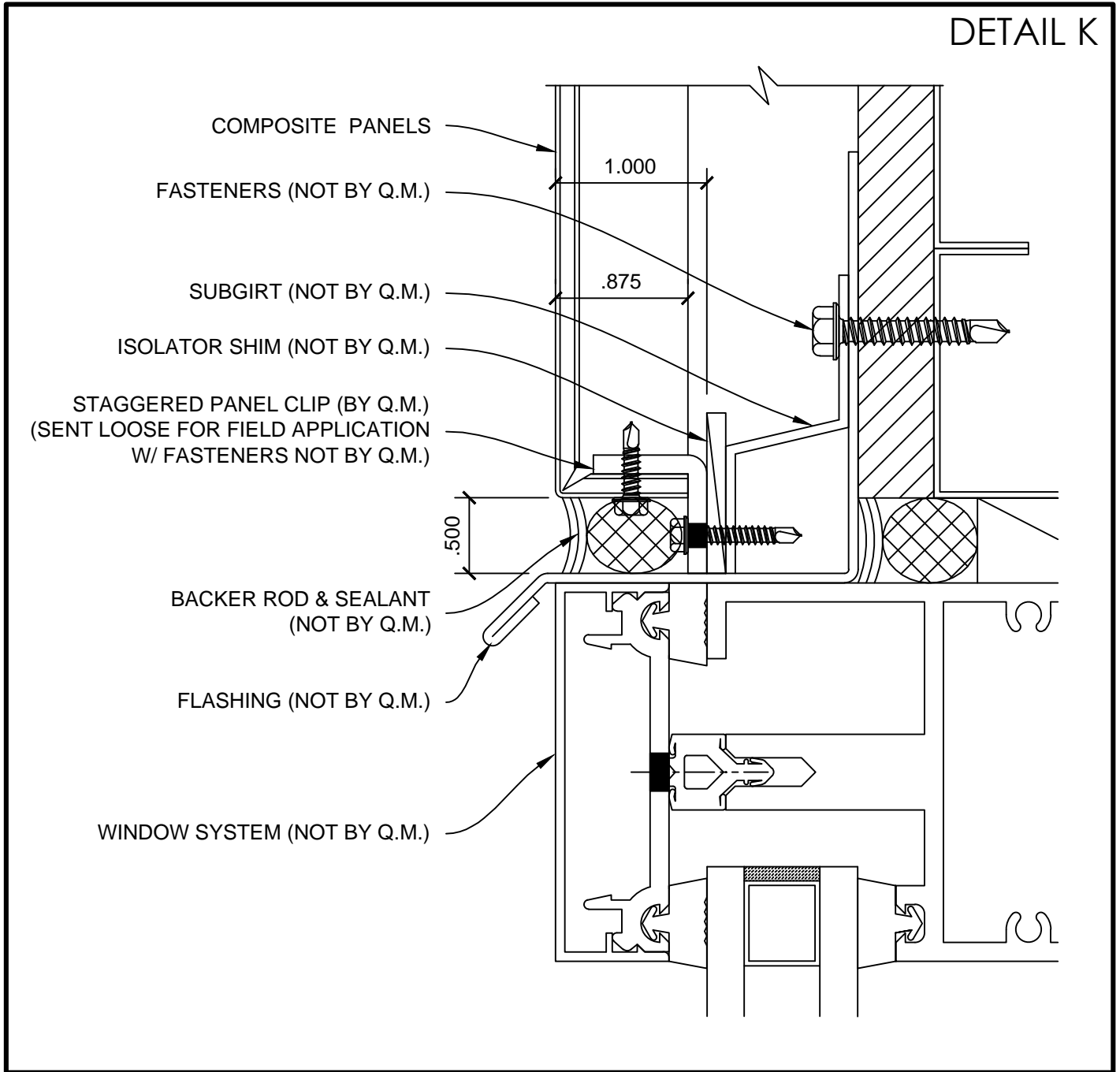
COPYRIGHT QUALITY METALCRAFTS, LLC

WINDOW JAMB DETAIL



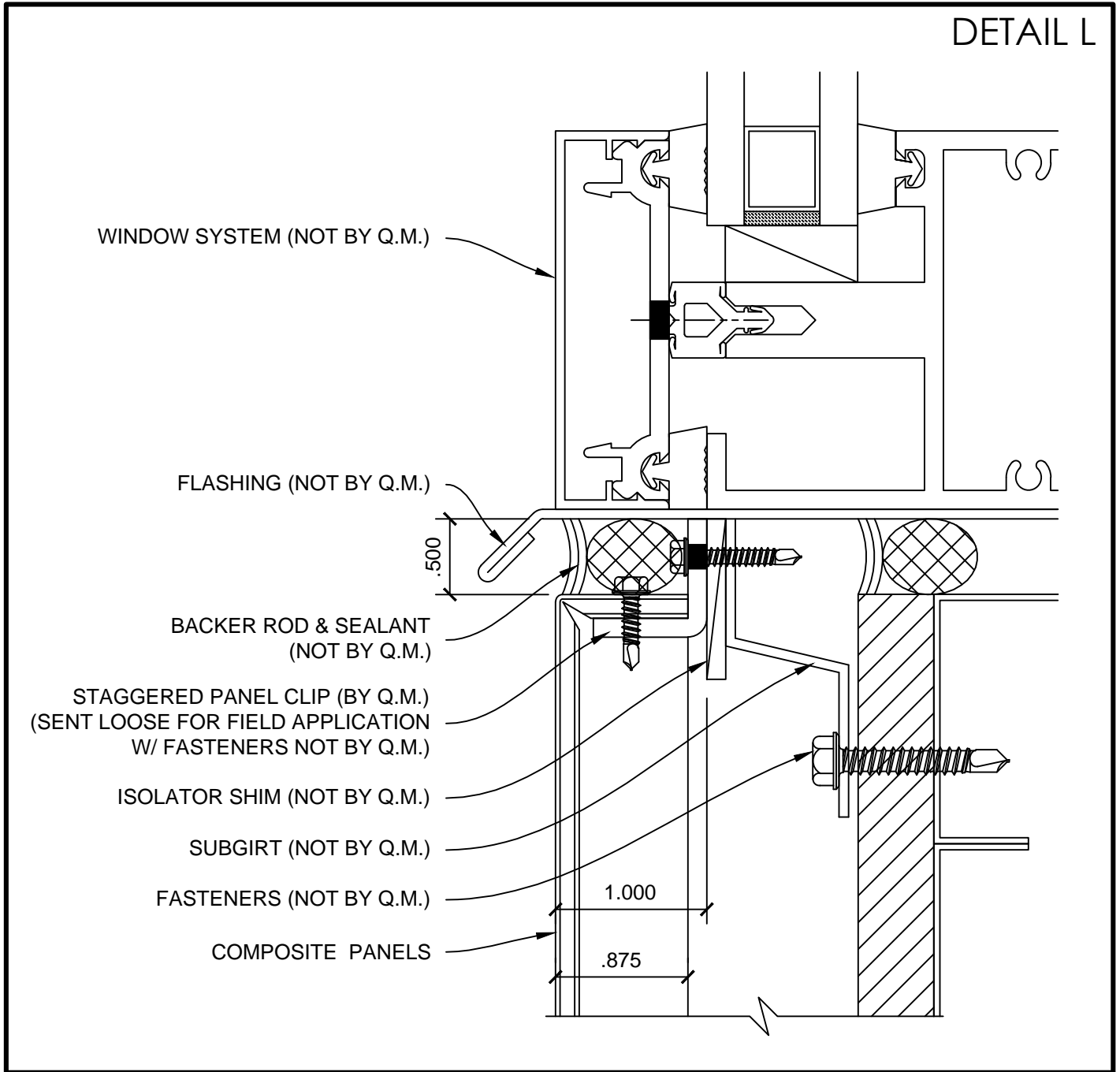
COPYRIGHT QUALITY METALCRAFTS, LLC

WINDOW HEAD DETAIL



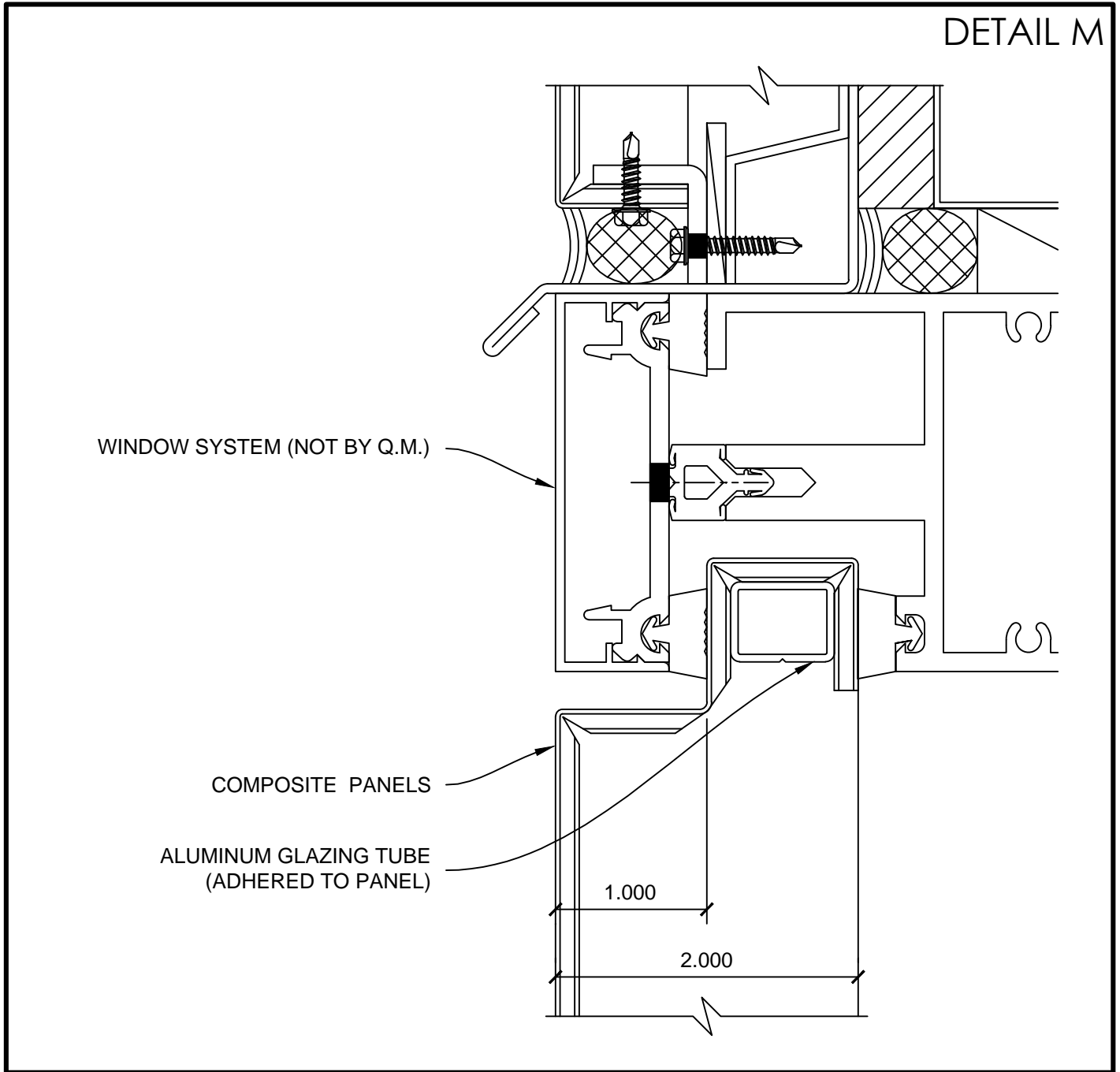
COPYRIGHT QUALITY METALCRAFTS, LLC

WINDOW SILL DETAIL



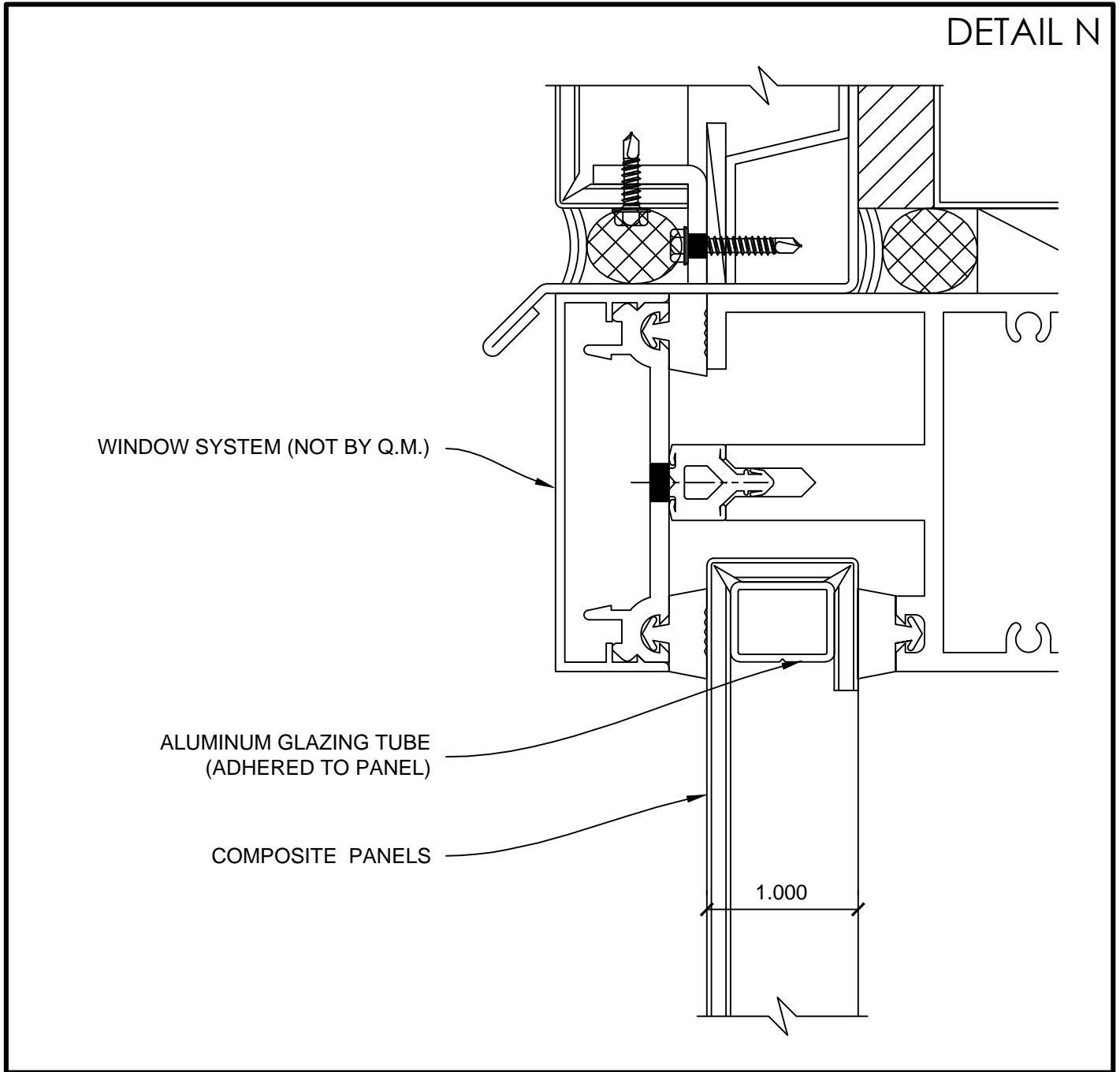
COPYRIGHT QUALITY METALCRAFTS, LLC

GLAZED PANEL DETAIL (1)



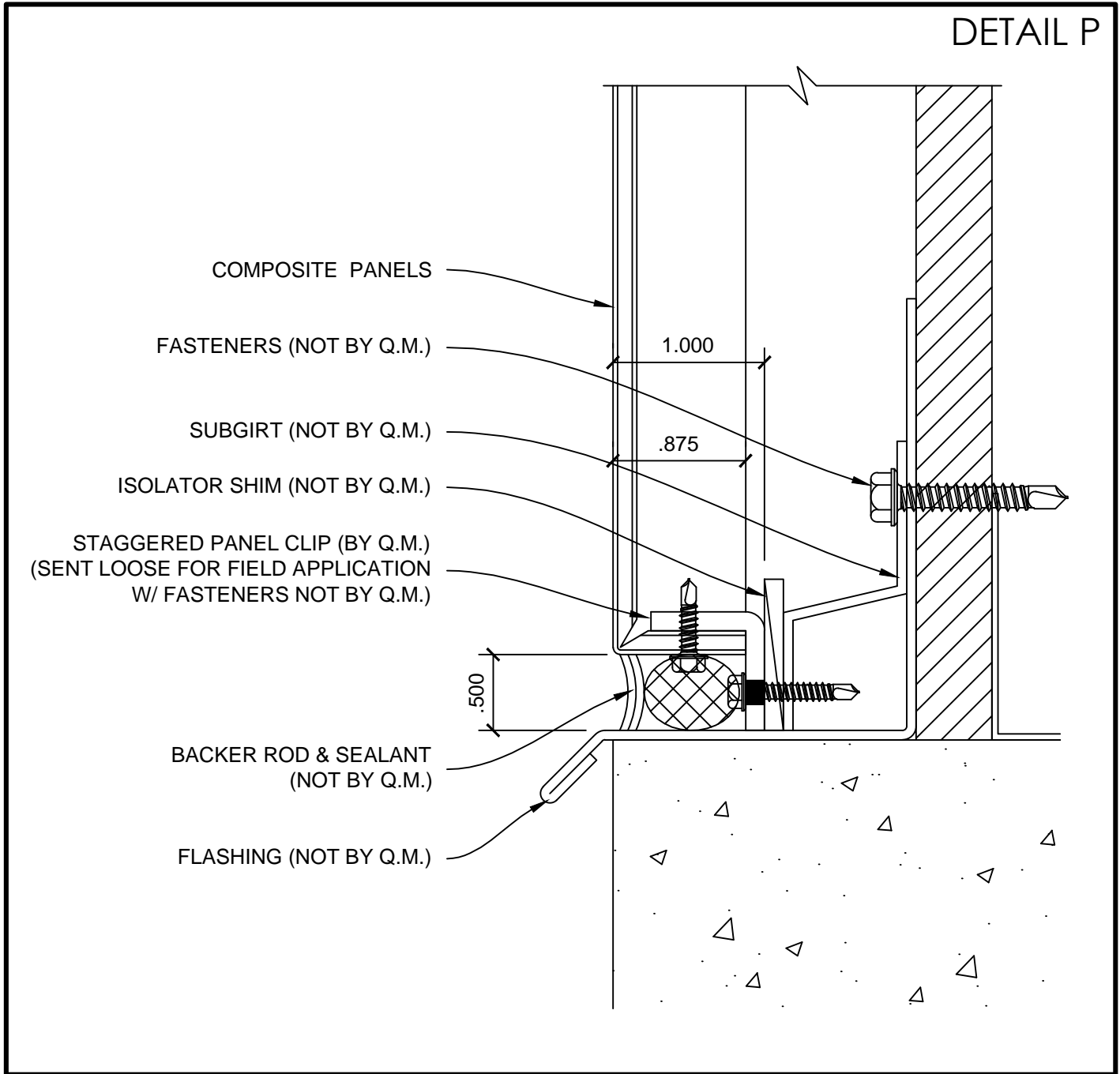
COPYRIGHT QUALITY METALCRAFTS, LLC

GLAZED PANEL DETAIL (2)



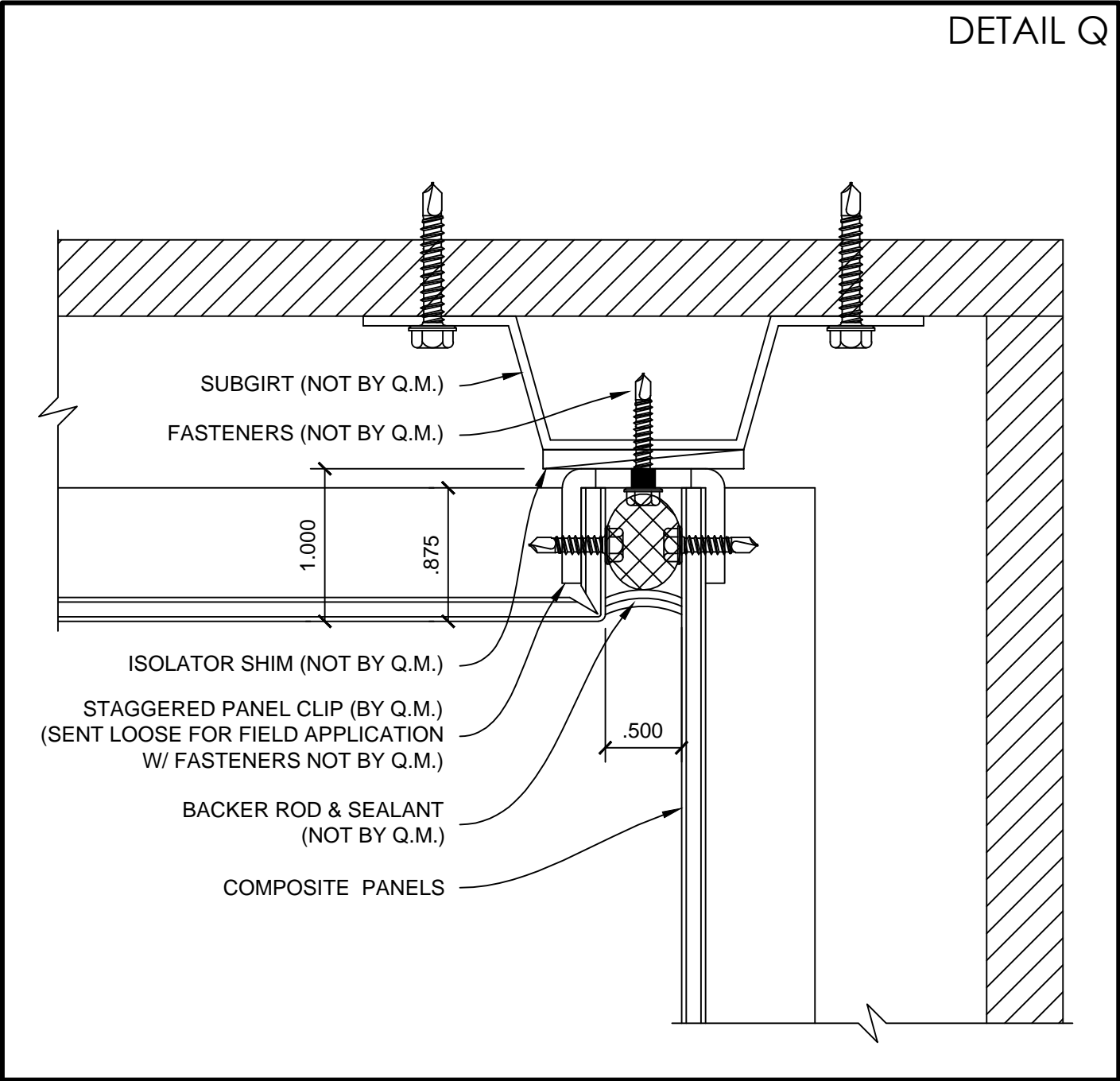
COPYRIGHT QUALITY METALCRAFTS, LLC

BASE DETAIL



COPYRIGHT QUALITY METALCRAFTS, LLC

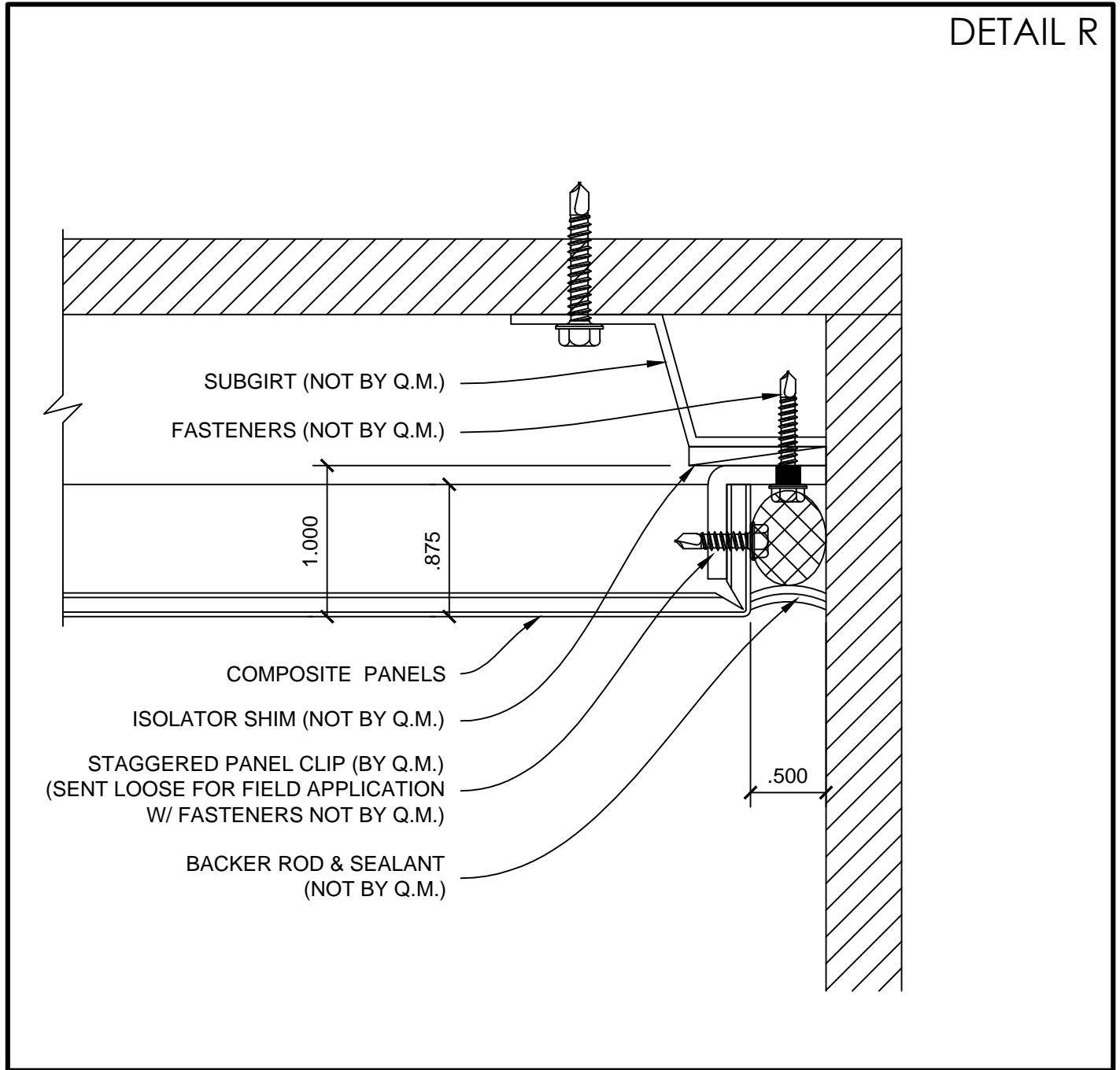
INSIDE CORNER DETAIL (1)



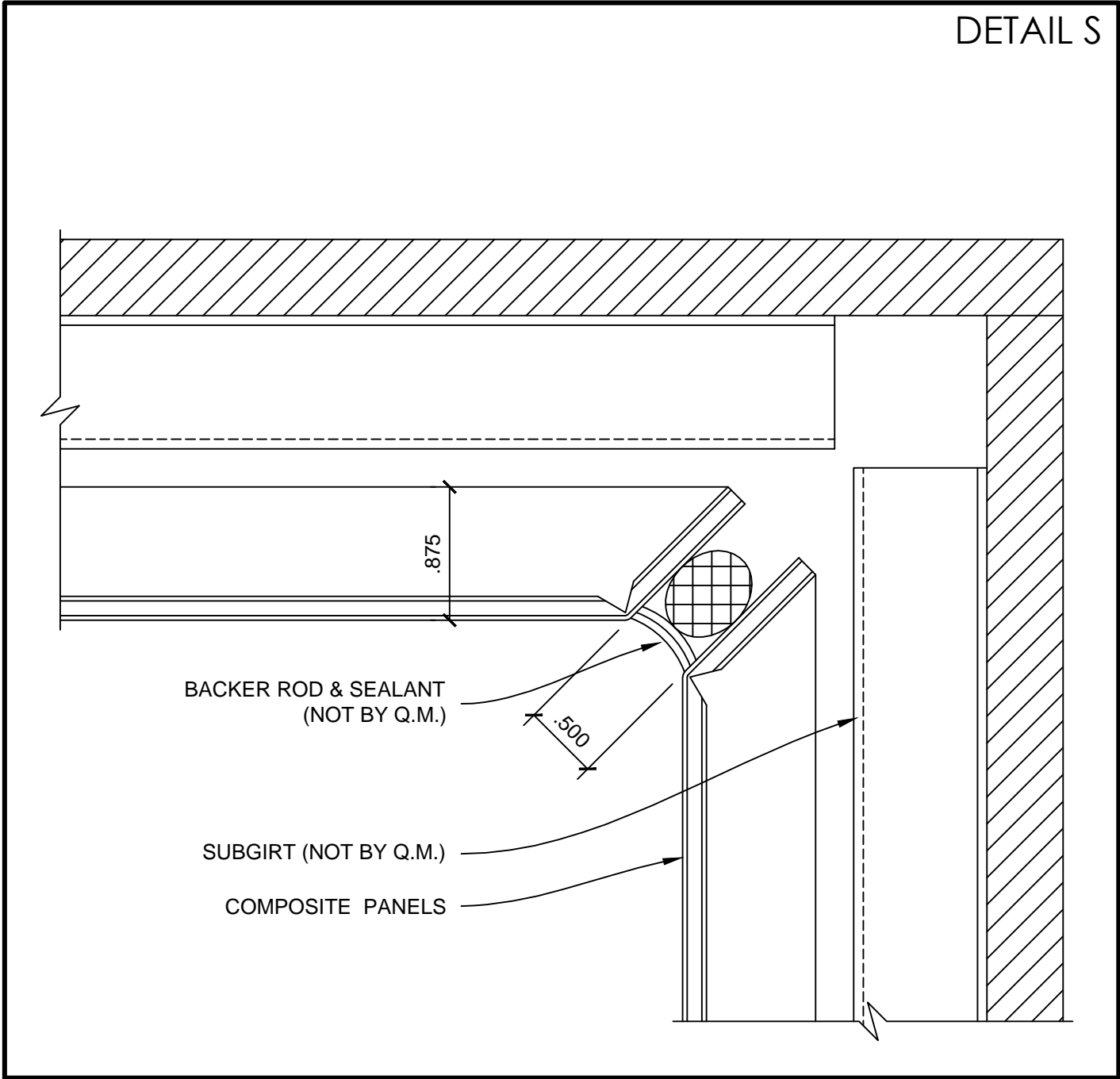
COPYRIGHT QUALITY METALCRAFTS, LLC

INSIDE CORNER DETAIL (2)

DETAIL R

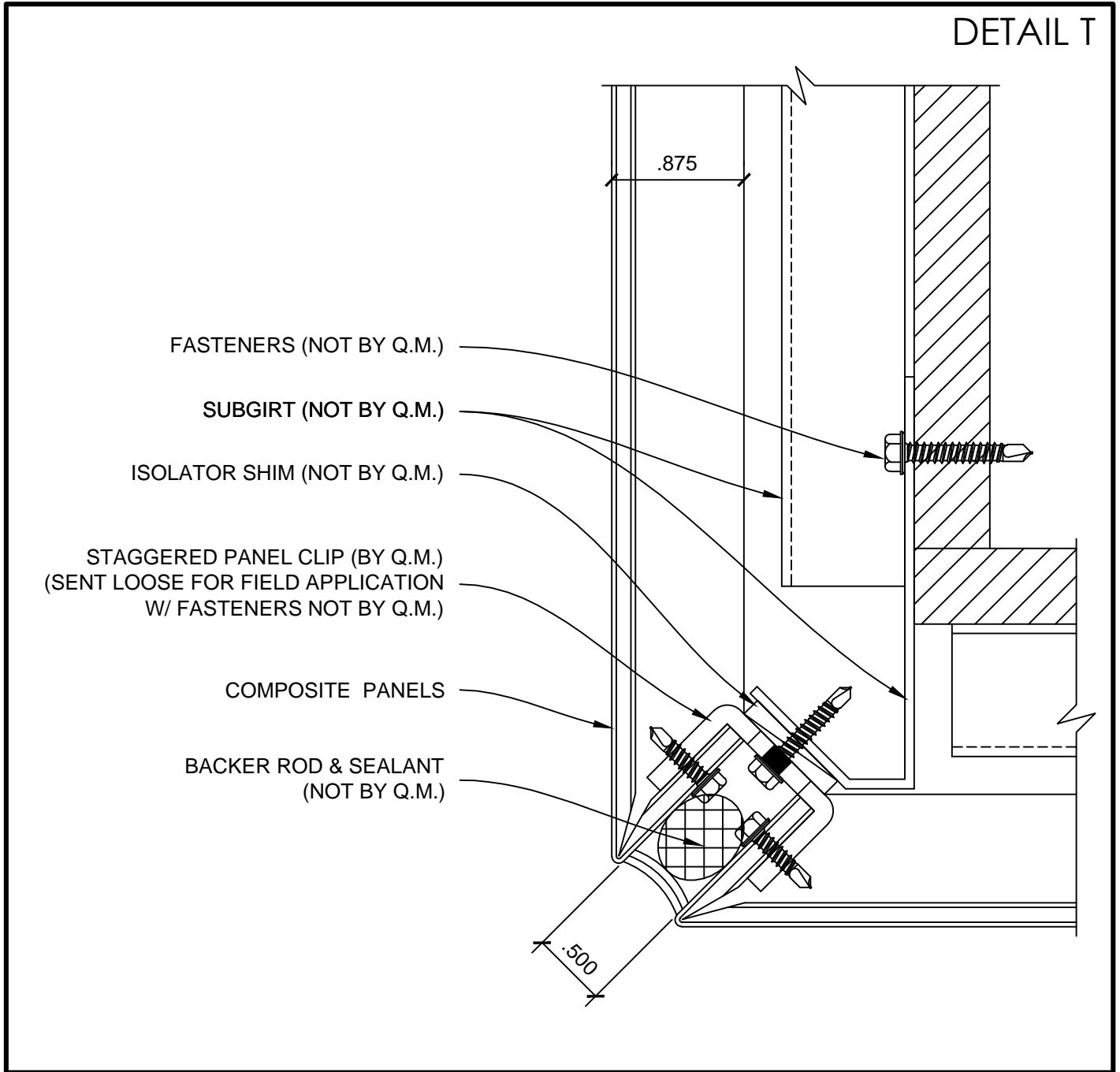


INSIDE CORNER DETAIL (3)



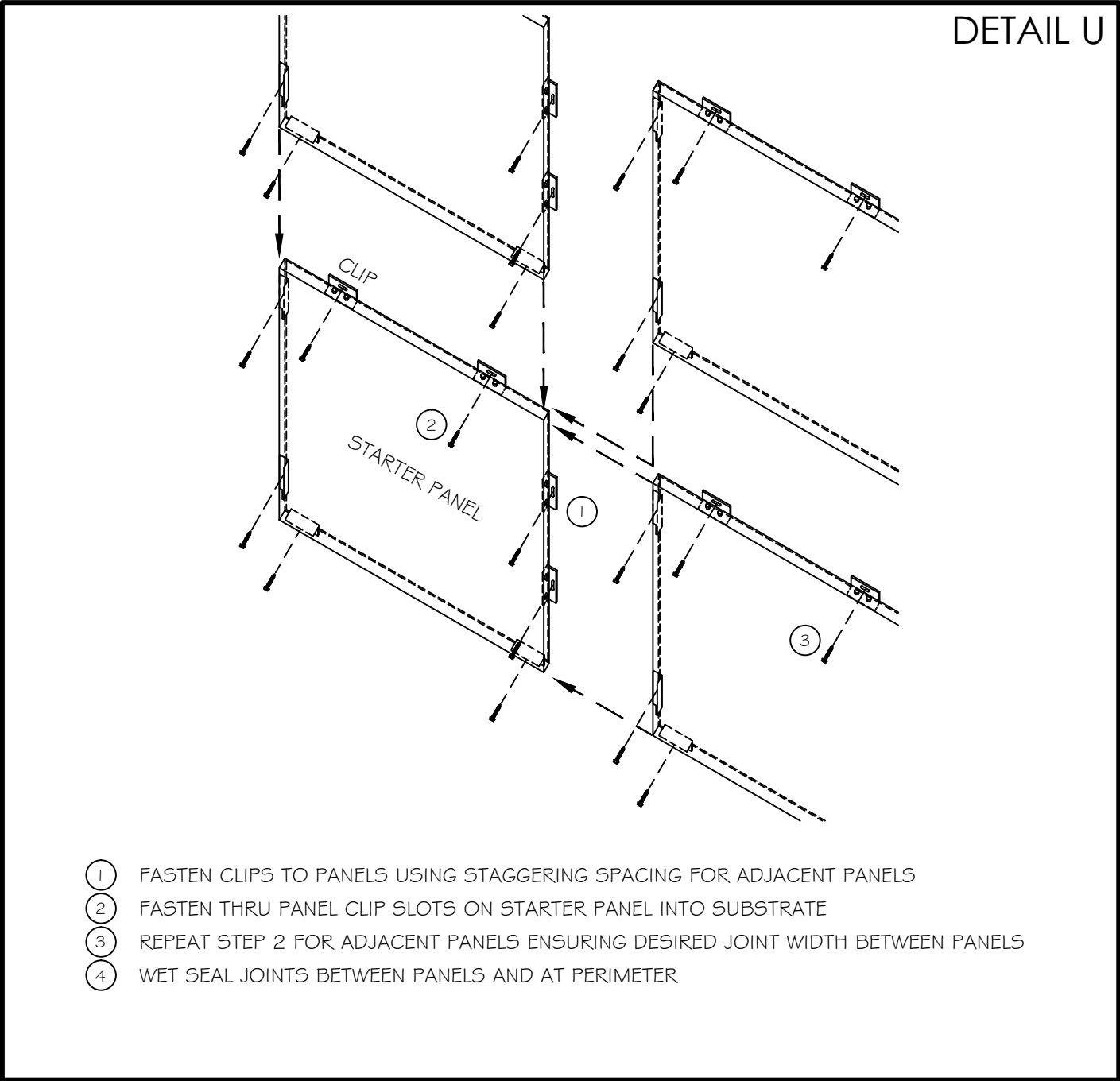
COPYRIGHT QUALITY METALCRAFTS, LLC

OUTSIDE CORNER DETAIL (3)



COPYRIGHT QUALITY METALCRAFTS, LLC

COMPOSITE PANEL SYSTEM (WET JOINT)
INSTALLATION GUIDE



COPYRIGHT QUALITY METALCRAFTS, LLC